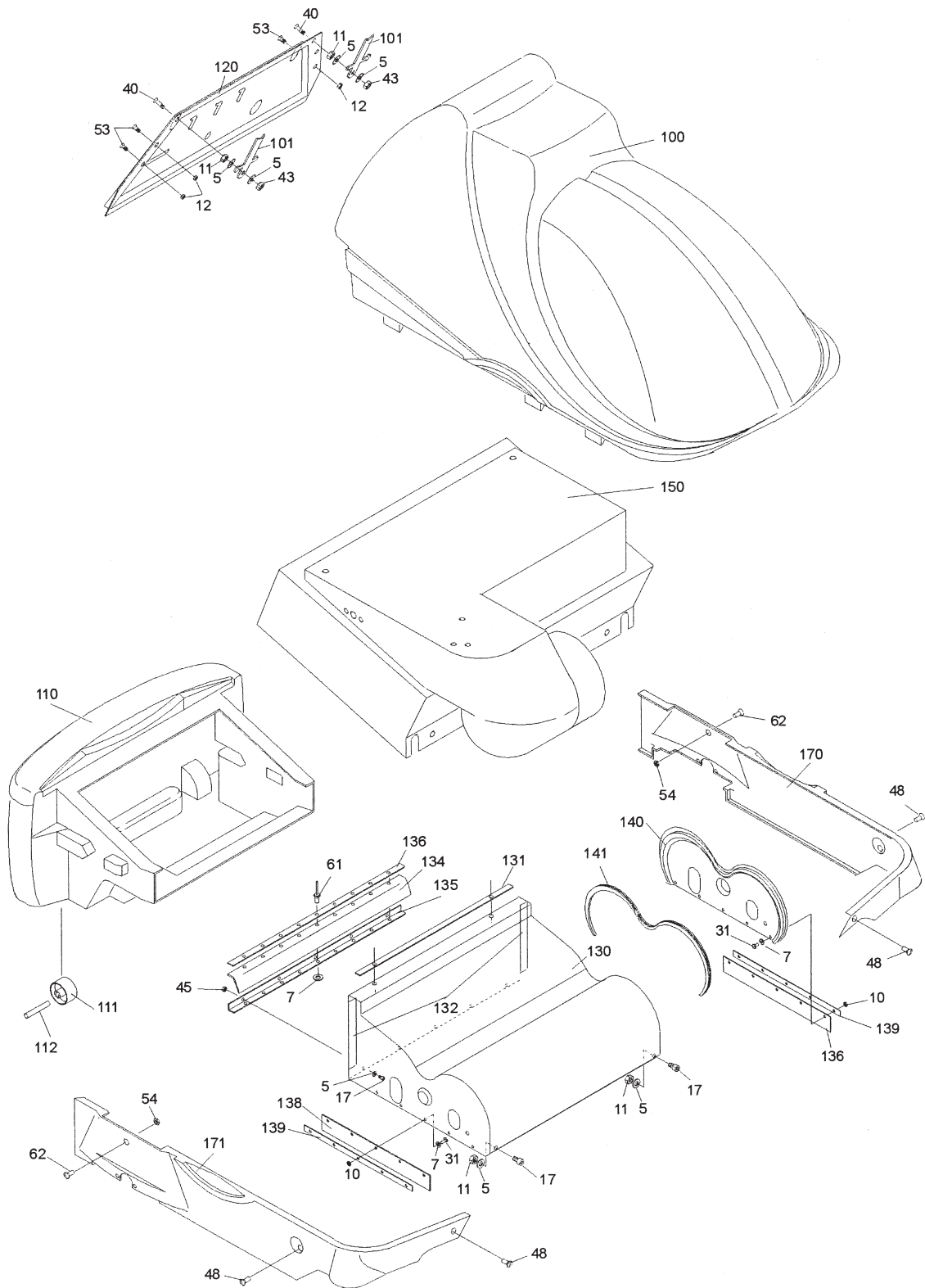
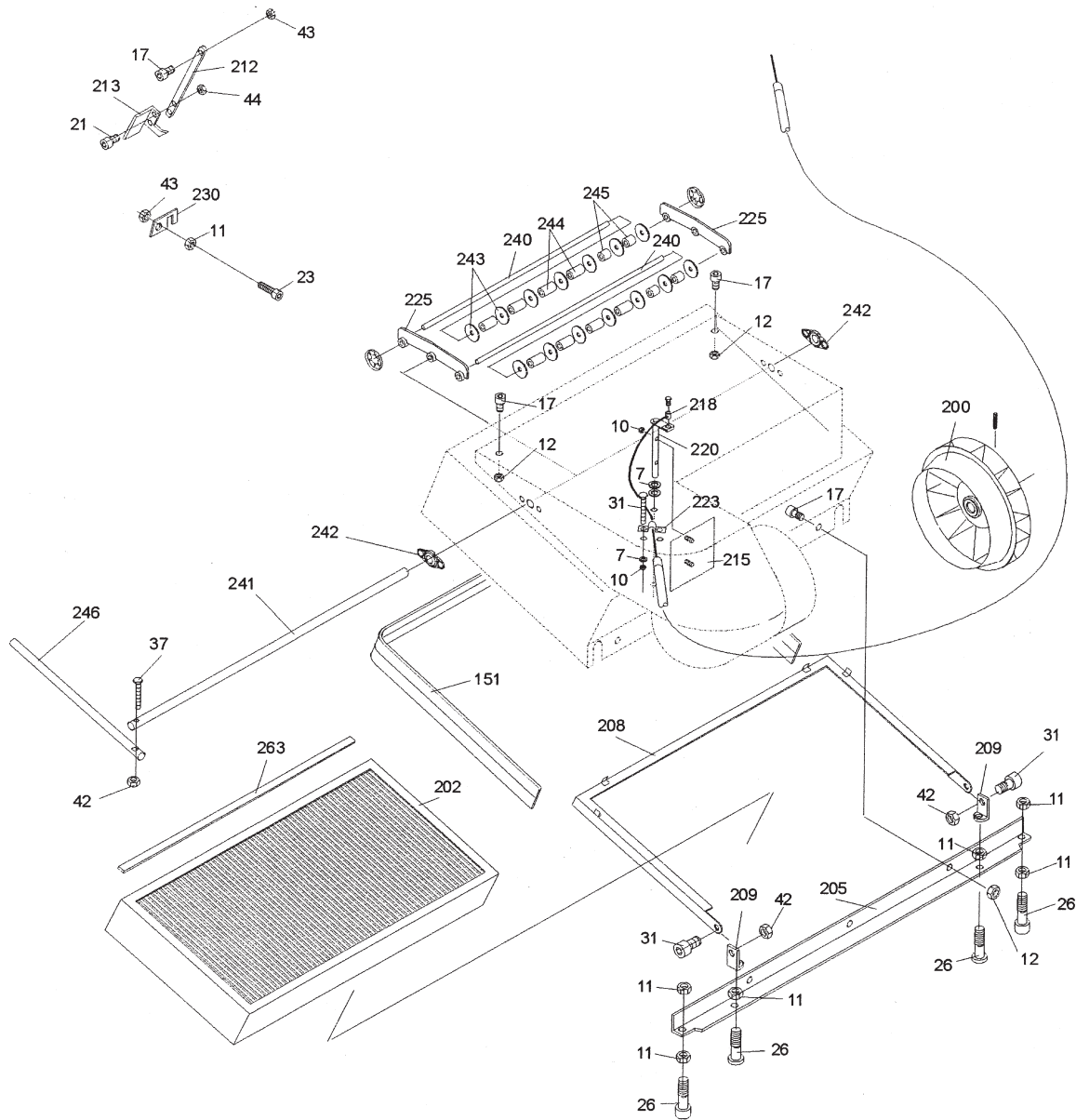


Housing



Filters

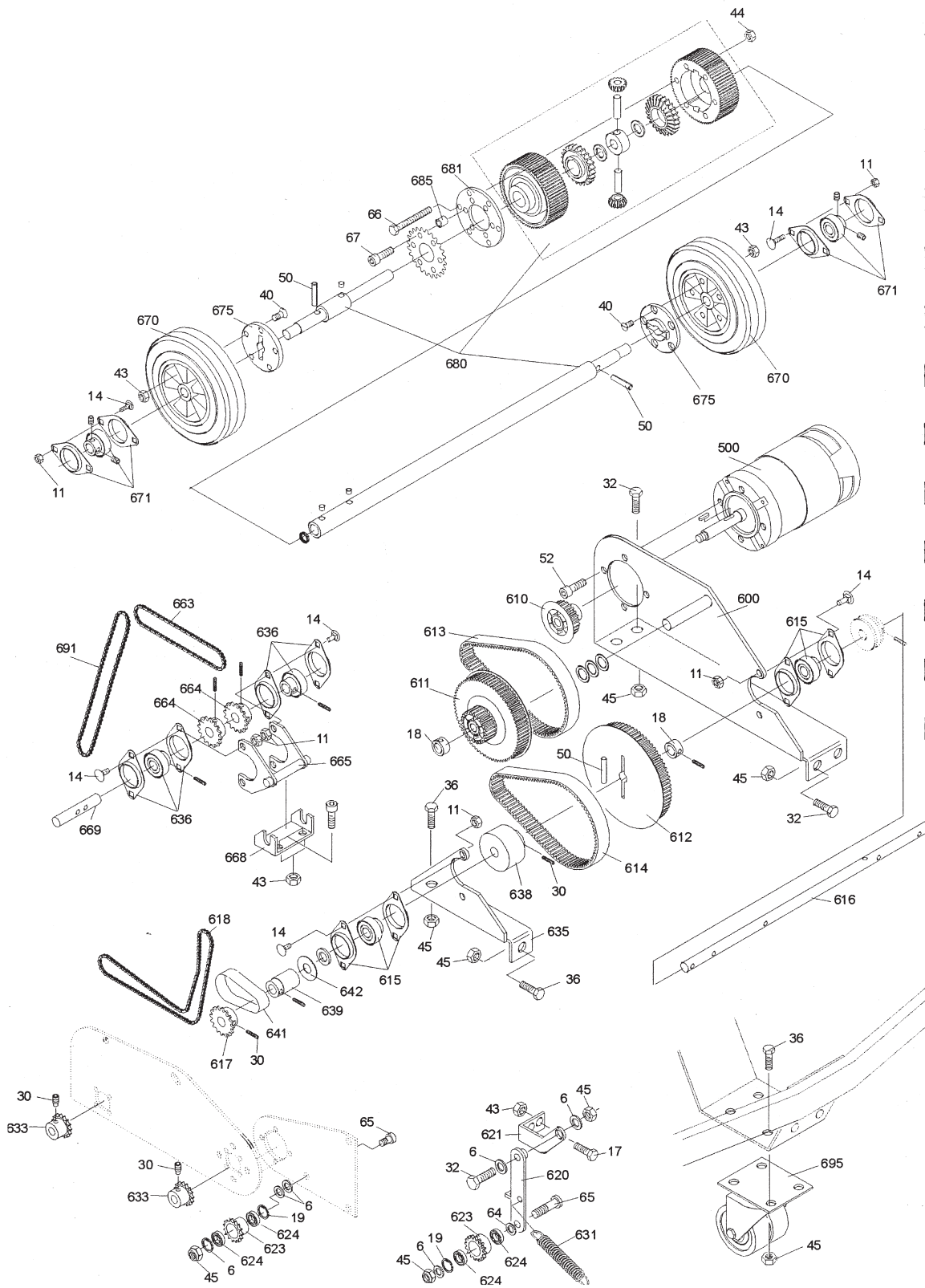


ref#	order	description
6	PS1117	washer
11	PS643	m6 nut
14	PS642	screw m6 x 16
16	PS1024	screw
19	PS1116	snap ring
30	PS1131	set screw
45	PS1111	nut
47	PS1090	sleeve
48	PS1015	nut
50	PS1091	sleeve
62	PS1016	screw
63	PS1034	adjustment ring
65	PS1112	bolt
67	PS1127	screw
68	PS1094	screw
100	PS1001	bonnet
103	PS1002	seat, PS1000R
105	PS1003	bonnet, front
106	PS1004	bonnet, rear

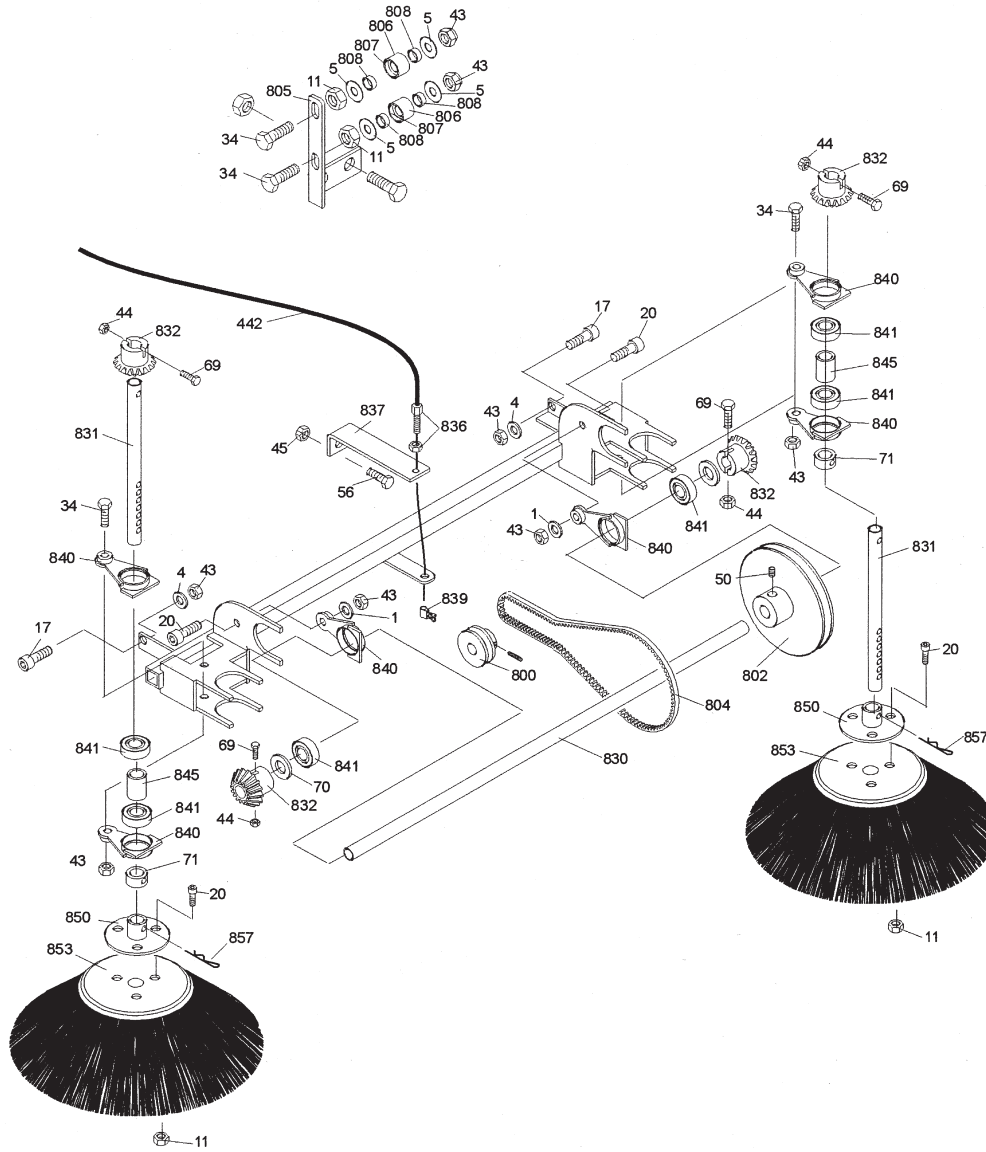
ref#	order	description
107	PS1005	rubber-gasket
110	PS1006	dust-container
111	PS1007	wheels
112	PS1008	axle
130	PS1009	roller-cover
134	PS1010	rubber-plate
136	PS1130	metal strip
138	PS1011	rubber-plate
151	PS1012	gasket
170	PS1013	side-cover
171	PS1014	side-cover
202	PS1017	filter
203	PS1018	gasket
213	PS1114	plate
219	PS1020	wire for suction-plate
246	PS1021	axle
250	PS1022	excenter

* call for pricing and availability

Motors



Side Brushes

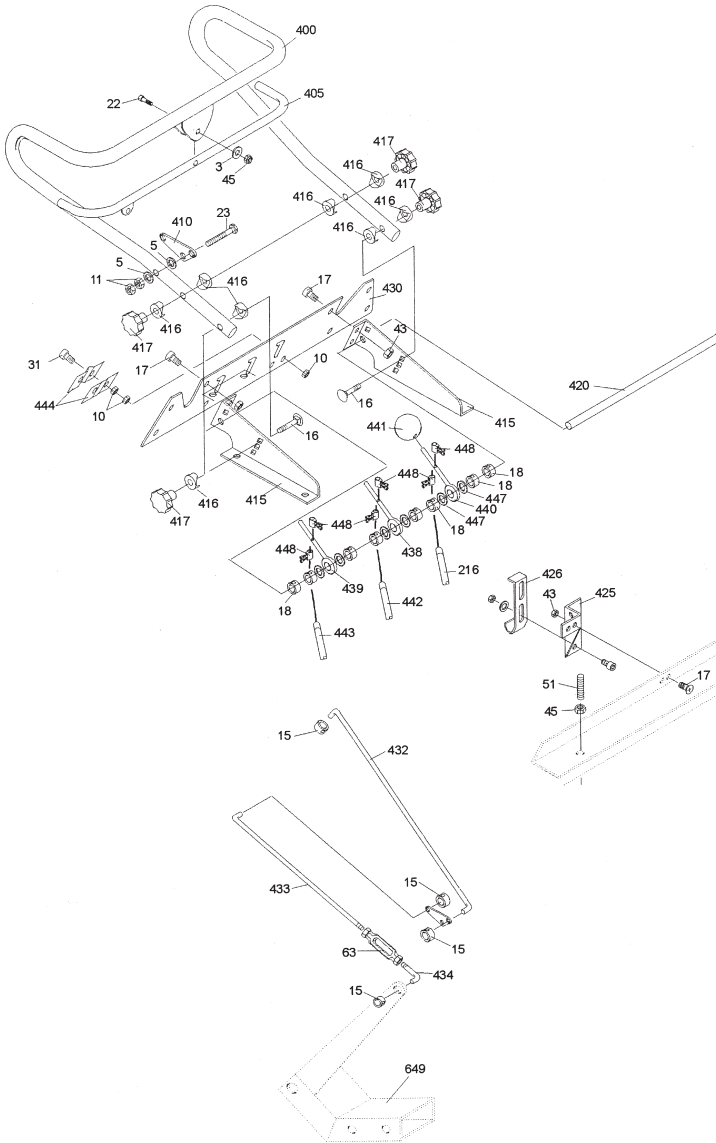


ref#	order	description
255	PS1023	plunger
416	PS1025	washer
417	PS1026	fixing handle
422	PS1027	support cable
423	PS1028	support cable
427	PS1029	positioning-rubber
428	PS1030	knob
432	PS1031	lever
433	PS1032	lever
434	PS1033	threaded bar
438	PS1035	lever
439	PS1035	lever
440	PS1035	lever
441	PS1038	handle
442	PS1039	cable
443	PS1040	cable
444	PS1041	sleeve
445	PS1042	adjustment screw
457	PS1043	pedal-cover
469	PS1044	handle
500	PS1045	DC-motor
505	PS1046	DC-motor traction

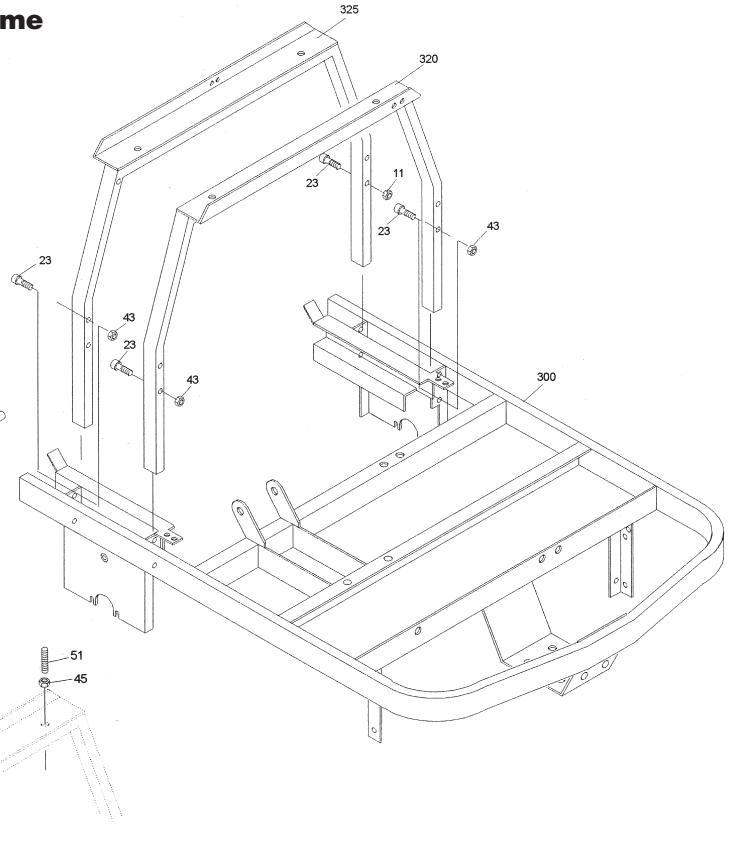
ref#	order	description
507	PS1047	potentiometre
508	PS1048	PCB
510	PS1049	filter-cleaner-motor
520	PS1050	key-switch
521	PS1052	battery-control-instrument
525	PS1054	resetable fuse
526	PS1055	relais
531	PS1056	plug
616	PS1120	shaft
623	PS1069	sprocket
624	PS1070	bearing
641	PS1072	flat belt, reverse
669	PS1125	axle
670	PS1076	wheel
681	PS1129	plate
685	PS1128	spacer
839	PS1110	cable shim
836	PS1109	screw
831	PS1108	broom rod
836	PS1109	screw
839	PS1110	cable shim

* call for pricing and availability

Handle



Frame

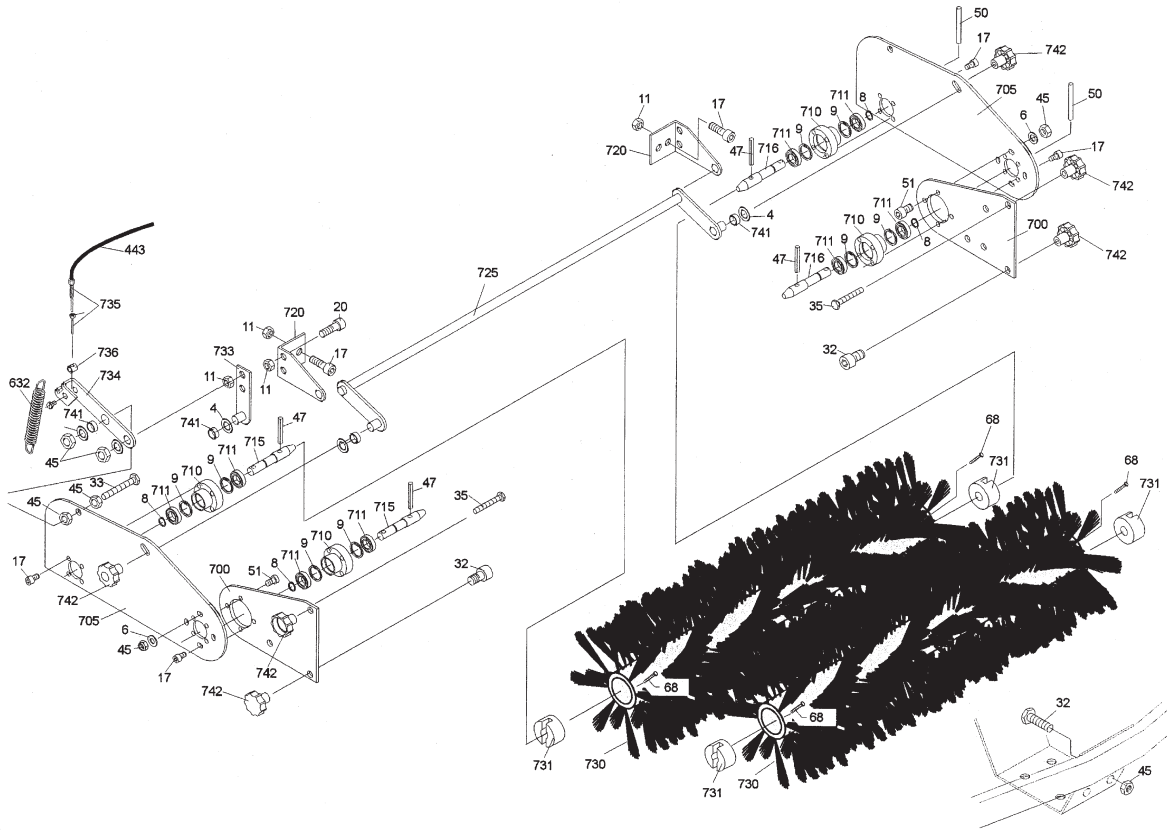


ref#	order	description
15	PS1115	adjustment sleeve
216	PS1020	sweeper wire
423	PS1028	support cable
448	PS1019	fixing cable
535	PS1057	switch
536	PS1058	switch
537	PS1059	switch
556	PS1060	switch
610	PS1061	ratcheted wheel
611	PS1062	ratcheted wheel
612	PS1063	ratcheted wheel
613	PS1064	ratcheted belt
614	PS1065	ratcheted belt
615	PS1066	bearing
617	PS1067	sprocket wheel
618	PS1068	chain
623	PS1069	sprocket wheel

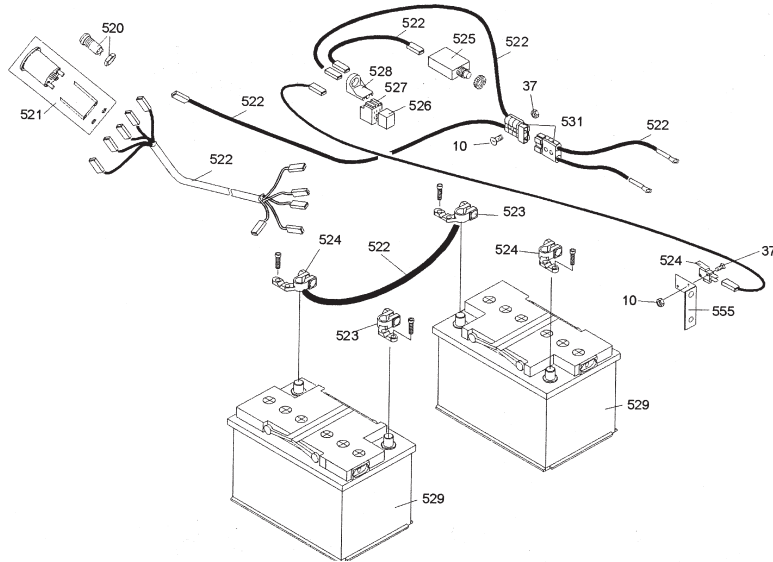
ref#	order	description
624	PS1070	bearing
633	PS1071	sprocket wheel
641	PS1072	flat-belt
653	PS1073	friction-wheel
663	PS1074	chain
664	PS1075	sprocket wheel
670	PS1076	wheel
671	PS1077	bearing
673	PS1078	chain
680	PS1079	differential
690	PS1080	sprocket wheel
691	PS1081	chain
692	PS1082	chain
695	PS1083	swivel
701	PS1084	spacer
702	PS1085	handle
707	PS1086	cable-fixing
	PS1122	rubber strap holding tank

* call for pricing and availability

Brushes



Batteries



ref#	order	description
711	PS1087	bearing
715	PS1088	gripper
716	PS1089	gripper
730	PS1092	main-broom
	PS1092A	main-broom, natural fiber
	PS1092B	main-broom, polyamid fiber
731	PS1093	nose-clutch
804	PS1095	belt
806	PS1096	tentioner
807	PS1097	bearing
830	PS1098	axle
831	PS1108	axle
832	PS1099	toothed wheel
836	PS1109	adjustment screw

ref#	order	description
839	PS1110	cable shim
840	PS1100	plate
841	PS1101	bearing
853	PS1102	side-broom
	PS1102A	main-broom, natural fiber
	PS1102B	main-broom, polyamid fiber
857	PS1103	side-broom-fixing element
916	PS1104	front-wheel
917	PS1106	brake
NOT ILLUSTRATED		
	PS1019	fixing cable
	PS1105	front-wheel, non-marking
	PS1048NS	drive board, 2004+
	PS1048	drive board

* call for pricing and availability