

Powr-Flite®

PARTS LIST

PF99 UPRIGHT VACUUM

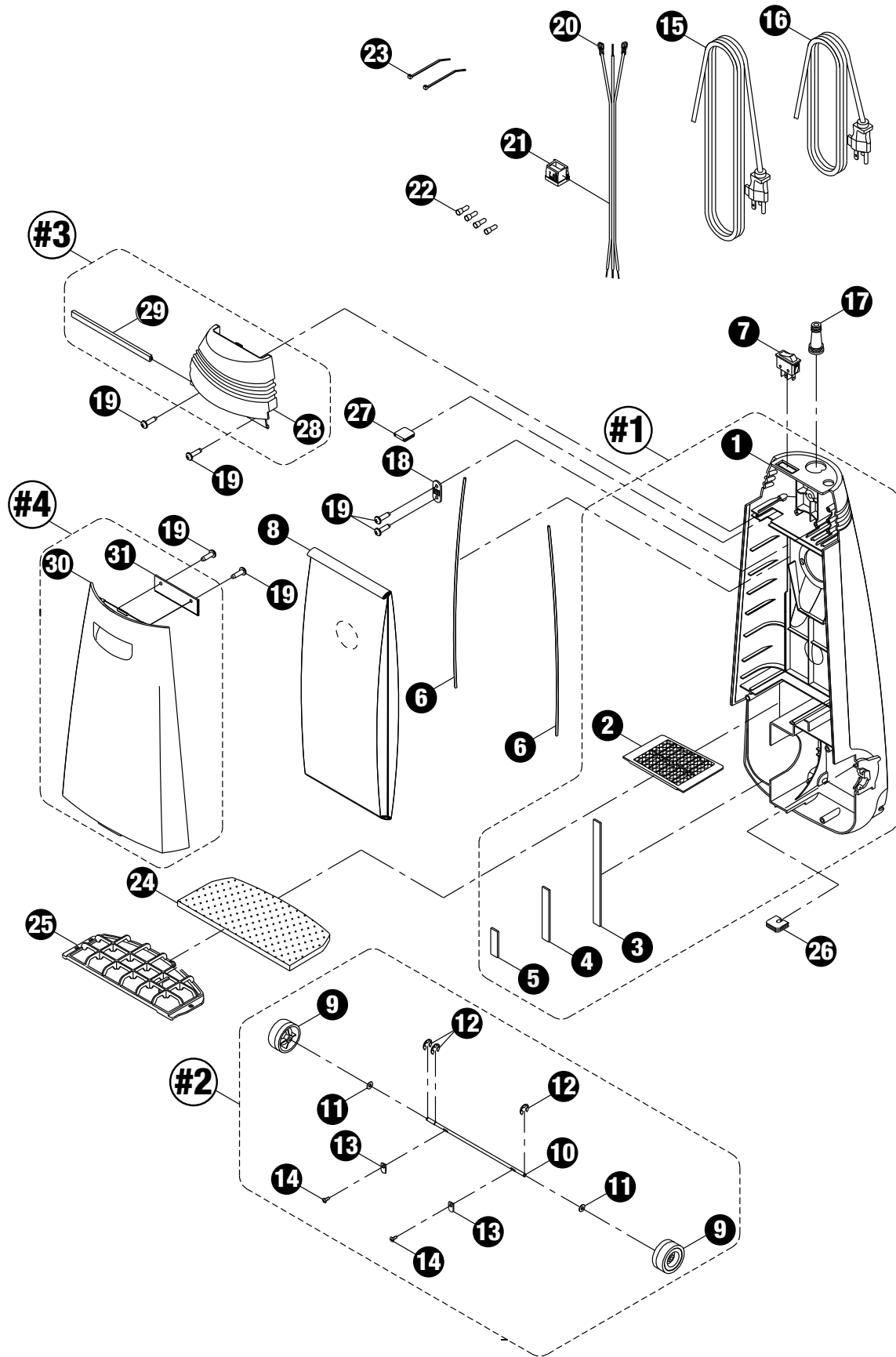


WARNING: OPERATOR MUST READ AND UNDERSTAND THIS MANUAL COMPLETELY BEFORE OPERATING THIS EQUIPMENT.

Save These Instructions

MODEL - PF99

DUST & SWITCH COVER COMPONENTS • PF99/PF99G



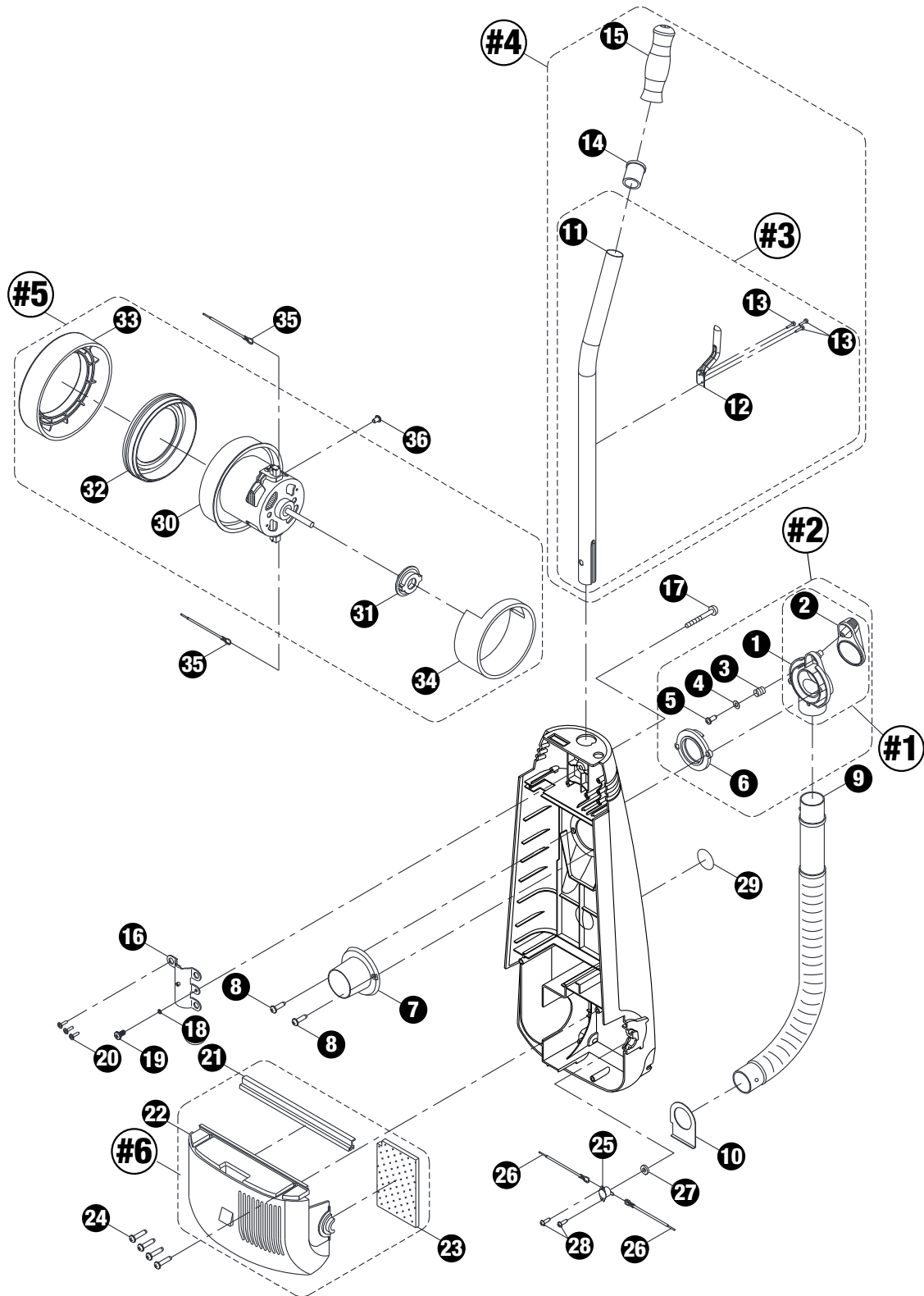
MODEL - PF99

DUST & SWITCH COVER COMPONENTS • PF99/PF99G

PF99		
Ref#	Item#	Description
DUST & SWITCH COVER COMPONENTS		
1	N/A	DUST COMPARTMENT
2	X1069	SCREEN, FILTER SUPPORT - PF99, PF99G
3	N/A	GASKET (1) 200X15X3
4	N/A	GASKET (2) 100X15X3
5	N/A	GASKET(3) 50X15X3
6	X1076	SEALS, SIDE, DUST COMPARTMENT - PF99, PF99G
7	X1082	SWITCH, SEESAW - PF99, PF99G
8	X1999	PAPER FILTER BAG
9	N/A	REAR WHEEL
10	N/A	REAR WHEEL SHAFT
11	N/A	WASHER (6.2X12X0.4)
12	N/A	E-RING (ETW-5)
13	N/A	SET WASHER
14	N/A	SET SCREW (M4X8 A)
15	X1087	CORD, YELLOW, 40' EXTENSION - PF99, PF99G
16	X1089	CORD, PIGTAIL, YELLOW WITH BLACK CORD LOCK - PF99, PF99G
17	X1102	CORD STRAIN RELIEF BOOT - PF99, PF99G
18	N/A	CORD HOLDER
19	N/A	SET SCREW (M4X15)
20	X1127	CORD, MOTOR - PF99, PF99G
21	X1130	BUSHING, WIRE - PF99, PF99G
22	N/A	WIRE CONNECTOR
23	N/A	ZIP TIE
24	X1131	FILTER, FOAM, SECONDARY - PF99, PF99G
25	X1142	SUPPORT FRAME, FILTER BAG - PF99, PF99G
26	N/A	ELECTRIC WIRE HOLDER
27	N/A	VENTED SUPPORT RUBBER
28	N/A	SWITCH COVER - PF99
28	N/A	SWITCH COVER - PF99G
29	N/A	SWITCH COVER SEAL
30	N/A	DUST COVER - PF99
30	N/A	DUST COVER - PF99G
31	N/A	DUST COVER GASKET - PF99
31	N/A	DUST COVER GASKET - PF99G
#1	X1145	HOUSING, DUST COMPARTMENT ASSEMBLY - PF99, PF99G
#2	X1159	WHEEL, REAR, ASSEMBLY COMPLETE - PF99, PF99G
#3	X1160	HOUSING, SWITCH COVER, COMPLETE - PF99
#3	X1161	HOUSING, SWITCH COVER, COMPLETE - PF99G
#4	X1162	DOOR, DUST COVER ASSEMBLY - PF99
#4	X1163	DOOR, DUST COVER ASSEMBLY - PF99G

MODEL - PF99

SUCTION INLET, HANDLE & MOTOR COMPONENTS • PF99/PF99G



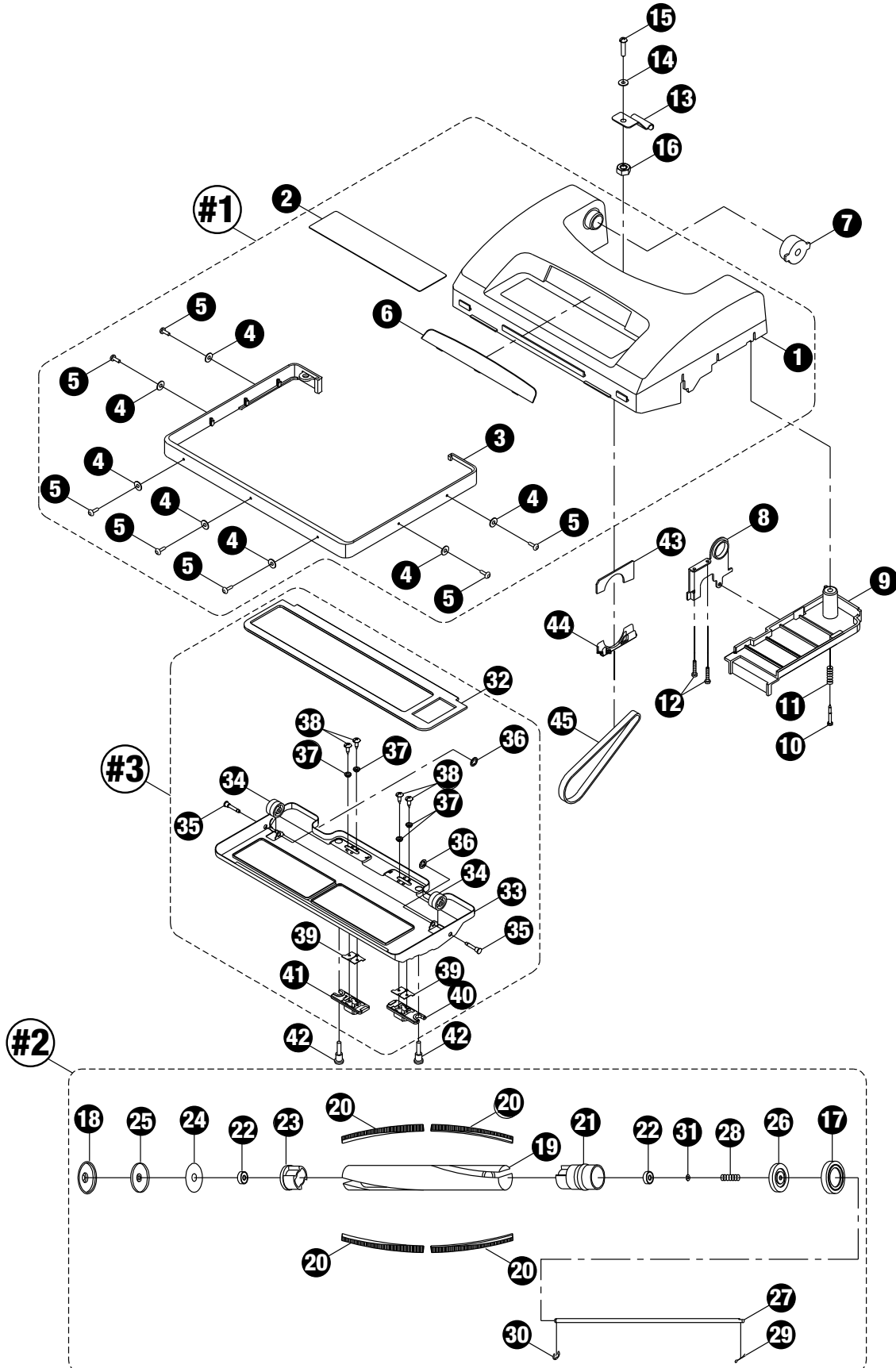
MODEL - PF99

SUCTION INLET, HANDLE & MOTOR COMPONENTS • PF99/PF99G

PF99		
Ref#	Item#	Description
SUCTION INLET & HANDLE & MOTOR COMPONENTS		
1	N/A	SUCTION INLET
2	N/A	SUCTION INLET COVER
3	N/A	SUCTION SPRING
4	N/A	WASHER (5.0X12X0.5)
5	N/A	SET SCREW (M5X12 B)
6	N/A	SUCTION INLET GASKET
7	N/A	BAG SUPPORT COLLAR
8	N/A	SET SCREW (M4X15)
9	N/A	NOZZLE HOSE
10	N/A	SUCTION FITTING COLLAR
11	N/A	HANDLE TUBE
12	N/A	HOOK HOLDER
13	N/A	HANDLE TUBE FIXING SCREW
14	N/A	HANDLE END CAP
15	N/A	FOAM HANDLE GRIP
16	X1164	BRACKET, HANDLE FITTING - PF99, PF99G
17	X1180	SCREW, HANDLE (M5X45)
18	N/A	TEETH TYPE WASHER
19	N/A	SET SCREW (M4X8 B)
20	N/A	SET SCREW (M4X16)
21	N/A	MOTOR COVER SEAL
22	N/A	MOTOR COVER - PF99
22	N/A	MOTOR COVER- PF99G
23	N/A	MOTOR COVER FILTER
24	N/A	SET SCREW (M4X18.5)
25	X1181	SWITCH, TEMPERATURE, MOTOR HOUSING - PF99, PF99G
26	X1185	WIRE, TEMPERATURE, MOTOR HOUSING - PF99, PF99G
27	N/A	TEMPERATURE SWITCH SEAL
28	N/A	SET SCREW (M3X10 B)
29	N/A	WARNING LABEL (ENG / FRENCH)
30	N/A	MOTOR
31	N/A	FRONT MOTOR BEARING COVER
32	N/A	MOTOR MOUNT REAR
33	N/A	MOTOR MOUNT REAR
34	N/A	SOUND SUPPRESSER
35	X1242	WIRE, TEMPERATURE, MOTOR - PF99, PF99G
36	N/A	SET SCREW (M4X6 B)
#1	N/A	SUCTION INLET & COVER
#2	X1243	INLET, SUCTION, ASSEMBLY COMPLETE - PF99, PF99G
#3	N/A	HANDLE TUBE COMPLETE
#4	X1244	HANDLE ASSEMBLY COMPLETE - PF99, PF99G
#5	X1253	MOTOR ASSEMBLY, 120V, 10A - PF99, PF99G
#6	X1254	HOUSING, MOTOR COVER ASSEMBLY - PF99
#6	X1255	HOUSING, MOTOR COVER ASSEMBLY - PF99G

MODEL - PF99

NOZZLE HOUSING & AGITATOR COMPONENTS • PF99/PF99G



MODEL - PF99

NOZZLE HOUSING & AGITATOR COMPONENTS • PF99/PF99G

PF99		
Ref#	Item#	Description
NOZZLE HOUSING & AGITATOR COMPONENTS		
1	N/A	NOZZLE HOUSING - PF99
1	N/A	NOZZLE HOUSING - PF99G
2	N/A	TOPPER MARK - PF99
2	N/A	TOPPER MARK - PF99G
3	N/A	FURNITURE GUARD
4	N/A	WASHER (4.2X14X1)
5	N/A	RIVET
6	N/A	COLOR INSERT - PF99
6	N/A	COLOR INSERT - PF99
7	N/A	PLASTIC HOUSING
8	X1267	PEDAL FRAME - PF99, PF99G
9	X1271	HOUSING, BELT COVER - PF99, PF99G
10	N/A	SET SCREW (M4X35 B)
11	X1279	SPRING, BELT COVER - PF99, PF99G
12	N/A	SET SCREW (M4X18.5)
13	X1313	SPRING, POSITIONING, HANDLE RELEASE CATCH - PF99, PF99G
14	N/A	WASHER (6.8X10.7X1.5)
15	N/A	SET SCREW (M5X25)
16	N/A	NUT (M5 T=0.8)
17	N/A	RUBBER END COVER (RIGHT)
18	N/A	RUBBER END COVER (LEFT)
19	N/A	AGITATOR CORE
20	X1364	BRUSH, REPLACEMENT, BRUSH ROLL - PF99, PF99G
21	N/A	AGITATOR PULLEY SET
22	N/A	BEARING
23	N/A	AGITATOR BEARING HOLDER
24	N/A	FELT COVER
25	N/A	LEFT COVER
26	N/A	RIGHT COVER
27	N/A	AGITATOR SHAFT
28	N/A	SPACING SPRING
29	N/A	SPRING CLIP
30	N/A	E-RING (ETW-4)
31	N/A	WASHER (6.3X9.5X1.2)
32	N/A	PACKING LOWER PLATE ASSEMBLY
33	N/A	BOTTOM PLATE
34	N/A	BASE PLATE WHEEL
35	N/A	BASE PLATE WHEEL PIN
36	N/A	CS - RING (CSTW-4)
37	N/A	PLASTIC INSERT
38	N/A	SET SCREW (M3X8.5)
39	N/A	LATCH
40	N/A	LOCKING LEVER (LEFT)
41	N/A	LOCKING LEVER (RIGHT)
42	X1333	SCREW, BOTTOM PLATE LATCH - PF99, PF99G
43	N/A	FELT PACKING
44	N/A	VENTED SUPPORT FITTING
45	B014-0714	BELT
#1	X1338	HOUSING, NOZZLE, COMPLETE - PF99
#1	X1339	HOUSING, NOZZLE, COMPLETE - PF99G
#2	X1340	BRUSH ROLL, METAL COMPLETE 14" - PF99, PF99G
#3	X1363	PLATE, METAL, BOTTOM, ASSEMBLY - PF99, PF99G

Powr-Flite[®]

A Tacony Company

3101 Wichita Court • Ft. Worth, TX 76140-1755

1-800-880-2913 • Fax: 1-817-551-0719 • www.Powr-Flite.com

8-17-2018