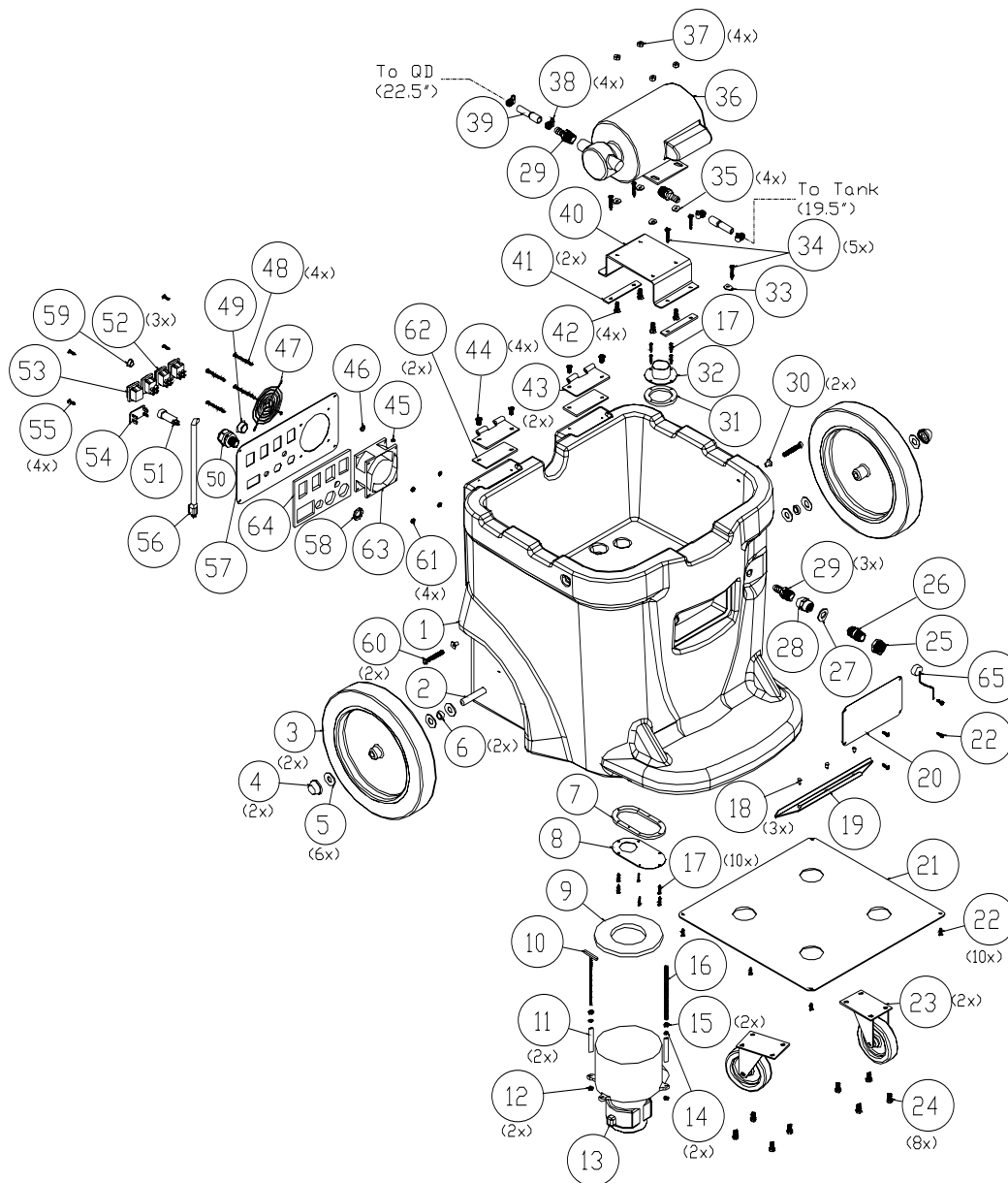
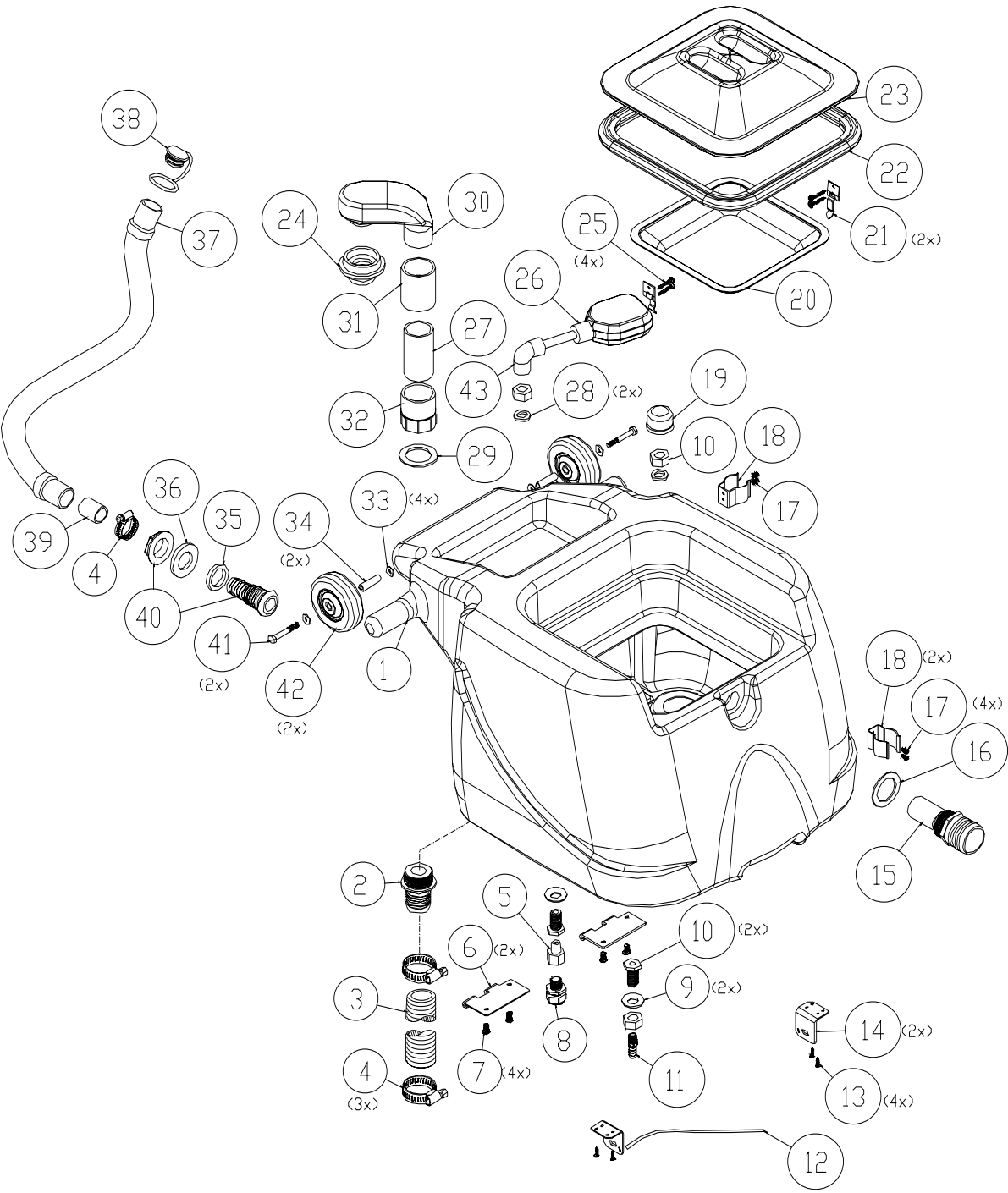


Flood Pump System



ITEM	PART #	DESCRIPTION	ITEM	PART #	DESCRIPTION	ITEM	PART #	DESCRIPTION
01	72620ABREPRO	Base, Black	24	7DT001	Screw, 5/16-18 x 5/8, Hex	47	72702A	Cover, Fan
02	72633A	Axle, 23.375" Long	25	PX154	Garden Hose Fitting	48	72703A	Screw, 8-32 x 2" L, Phi
03	X9066	Wheel, Black	26	PX153	Nipple, 1/2 NPT x 1-1/2"	49	72142A	Plug, 7/8 Black Nylon
04	7GL002	Push Nut, 1/2"	27	X8239	Washer, 1/2 USS Flat Zinc	50	PD8	Strain Relief, 1/2" NPT
05	7CM007	Washer, 1/2 USS Flat,	28	PX152	Coupling, 1/2 NPT	51	7FC010	Circuit Breaker, 8A
06	72635A	Spacer, 1/2" ID x 3/4"	29	PC25	1/2" to 1/2" Male / Male Barb	52	PX87	Rocker Switch, DPST, 20A, w/ Protective Cover
07	72641A	Gasket, Vac Manifold, Short	30	72665A	Insert, Tee nut	53	X9173	Hole Plug, Switch Hole
08	72630A	Cover, Vac Manifold, Flat	31	72642A	Gasket, Vac Manifold, Circle	54	72116A	Switch Cover, Blank
09	70020B	Gasket, Vacuum Motor Seal	32	72625A	Cover, Vacuum Manifold	55	72387A	Screw, #8 x 5/8, Black
10	X9204	Rod, 10-24, "T" Bolt	33	X9069	End Loop, SS, w/ 2 Holes	56	PX112	Pigtail, Black
11	72605A	Spacer, 1/8	34	71644A	Screw, #10 x 1 Phil Pan	57	72632B	Switch Panel, with fan
12	7BF030	Nut, 10-24 Nylon Insert Lock	35	72667A	Washer, Rubber, .29 ID	58	X8008N	Nut, Lock, 1/2" Steel Conduit
13	72365A	Motor, 3-Stage, 120V	36	X9199	Pump, Self-Priming Impeller	59	X8251B	Plug, Plastic, Black
14	7CM003	Washer, #10 USS Flat	37	7BF004	Nut, Kep, 1/4-20, Zinc	60	72684A	Screw, 1/4-20 x 2-1/2" Phil, Pan, External Tooth, Full Thread
15	7BF003	Nut, Kep, #10-24, Zinc	38	7DL008	Clamp, 1/2" Worm Gear	61	X8260	Nut, 8-32 Lock w/ Nylon Insert
16	72000A	Rod, 3/16 x 5-1/2	39	70079C	Hose, 1/2" Wire Reinforced	62	X9168	Spacer, Pad Hinge
17	7CW002	Screw, #6 x 3/4 Phil Pan	40	71237A	Bracket, Motor Mount, S-V	63	72700A	Fan, Cooling, 115V
18	72662A	Screw, #10 x 1/2", Flat Phil	41	7GF033	Pad, Motor Mount	64	72699A	Foam, Switch Panel
19	72661A	Wand Holder	42	X8268	Bolt, 1/4-20 x 3/4, Hex Tap	65	FP8	Cap with chain
20	X9157	Cover, Pressure Regulator	43	X9014	Hinge			
21	72636A	Cover Plate, Bottom	44	7BS003	Screw, 1/4-20 x 1/2			
22	72388A	Screw, #10 x 5/8, Tap Phil	45	7CY006	Washer			
23	PX65	Caster, 4" Black	46	71743A	Screw, 8-32 x 3/16 PHMS			

Flood Pump System



ITEM	PART #	DESCRIPTION
01	72619A	Tank, Recycling, New Pro
02	PX25	Fitting, Plastic Bulkhead, 1-1/2" NPT to 1-1/2" Hose Barb
03	72656A	Hose, 1-1/2" Wire
04	7DL005	Clamp, 1-1/2" Worm Gear
05	X9224	Adapter, 1/2 to 1/4 NPT
06	X9014	SCE Tank Hinge
07	7BS003	Screw, 1/4-20 x 1/2"
08	PD8	Strain Relief, 1/2" NPT
09	72274A	Washer, 3/4" Neoprene
10	PX48	Fitting, Brass, Bulkhead, 3/4"
11	7AT004	Barb, 1/2 Hose, 1/4 Male
12	72660A	Rope
13	72388A	Screw, #10 x 5/8, Tapping
14	72631A	Latch Bracket

ITEM	PART #	DESCRIPTION
15	X9223	Inlet Fitting Assembly
16	PX14A	Dump Valve Gasket
17	7BH004	Screw, 10-32 x 3/8, Phil Pan
18	72173A	Spring Clip, Black
19	71495A	Pump Protection Filter
20	72326A	Inlet Filter
21	X9221	Hold-Down Latch
22	72323B	Gasket, Lid 43"
23	72321A	Lid, Tank
24	X9236	Filter, VAC Inlet Protection
25	71644A	Screw
26	X9213	Float Switch
27	X9154	Pipe, PVC, Schedule 40
28	PX48G	Gasket, Fiber, 1.125 OD
29	PX14	Dump Valve Gasket

ITEM	PART #	DESCRIPTION
30	PX33	Vacuum Tube
31	72615A	Coupling, PVC, 1-1/2"
32	PX63	Coupler, Plastic, 1- ?" Slip
33	X8235	Washer, 1/4" Flat, USS Zinc
34	72486A	Spacer, 1.625 Long
35	72679A	Gasket, Drain Inner
36	72680A	Gasket, Drain Outer
37	PAS37	Drain Hose
38	PAS36	Expansion Plug Drain
39	72678A	Tubing, Vinyl, 1" ID
40	72677A	Drain Fitting, 1"
41	72645A	Bolt, 5/16-18 x 2-1/4, Hex
42	X8025	Wheel, Black, 4" x 1-1/4"
43	X9239	Elbow, PVC, 1/2 NPT

Conditional Guarantee

The manufacturer warrants that products manufactured are free from defects in material and workmanship under normal use and service for a period of one year from date of purchase provided such goods are installed, operated and maintained in accordance with written manuals and/or other instructions on housings and parts and workmanship, two years on motor. We will repair or replace without cost, any part of the unit, which when examined by our authorized repair station or at our factory, is found to be legitimately defective. This guarantee is null and void on any part which has been subject to alteration, accident, abuse or misuse. The guarantee is valid only to the original using purchaser.



A Tacony Company
3101 Wichita Court • Ft. Worth, TX 76140-1755
800.880.2913