

Powr-Flite®

PF82DC PARTS LIST

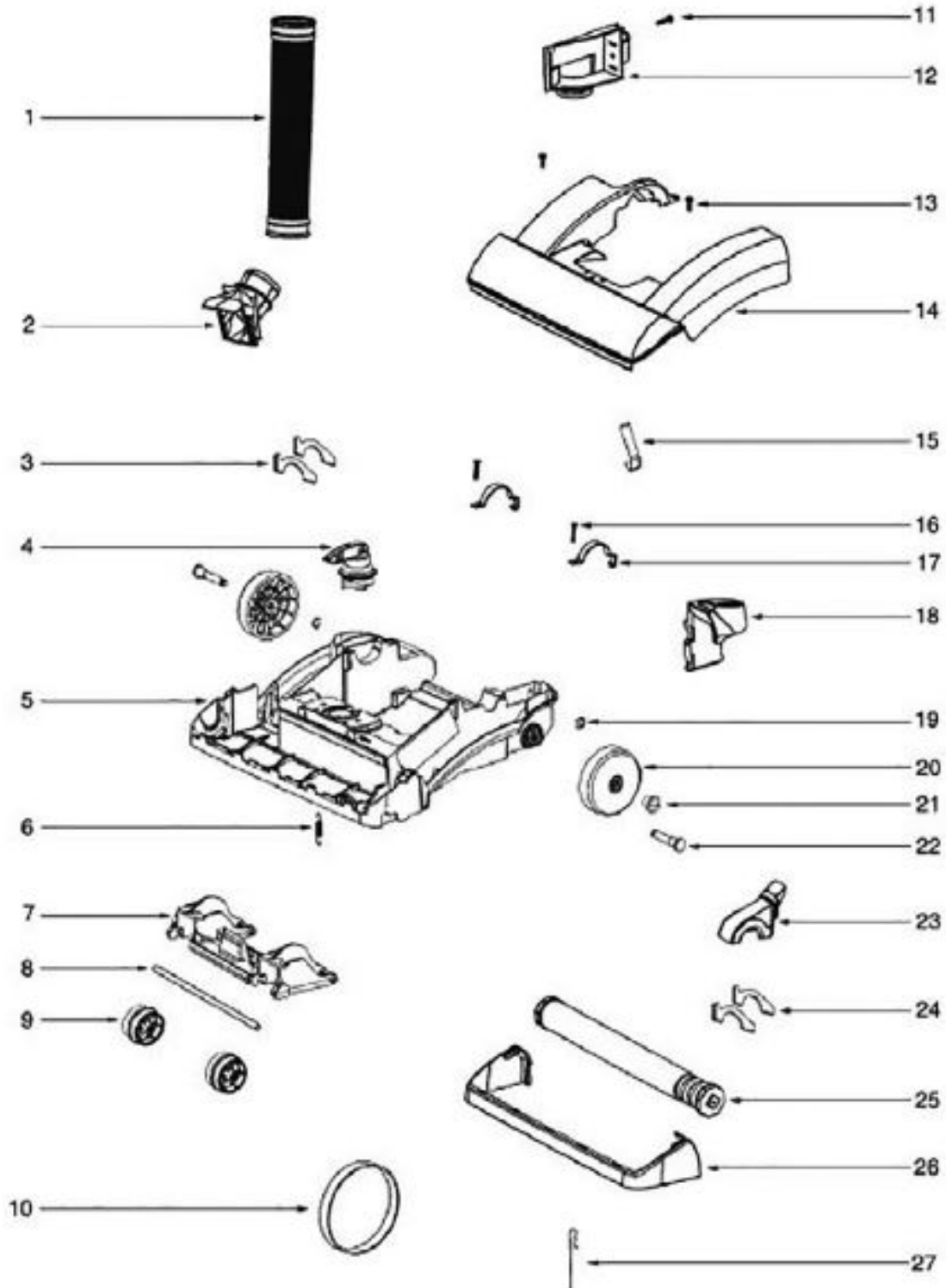


WARNING: OPERATOR MUST READ AND UNDERSTAND THIS MANUAL COMPLETELY BEFORE OPERATING THIS EQUIPMENT.

Save These Instructions

SCHEMATICS - PARTS LISTS

PF82DC BASE & HOOD

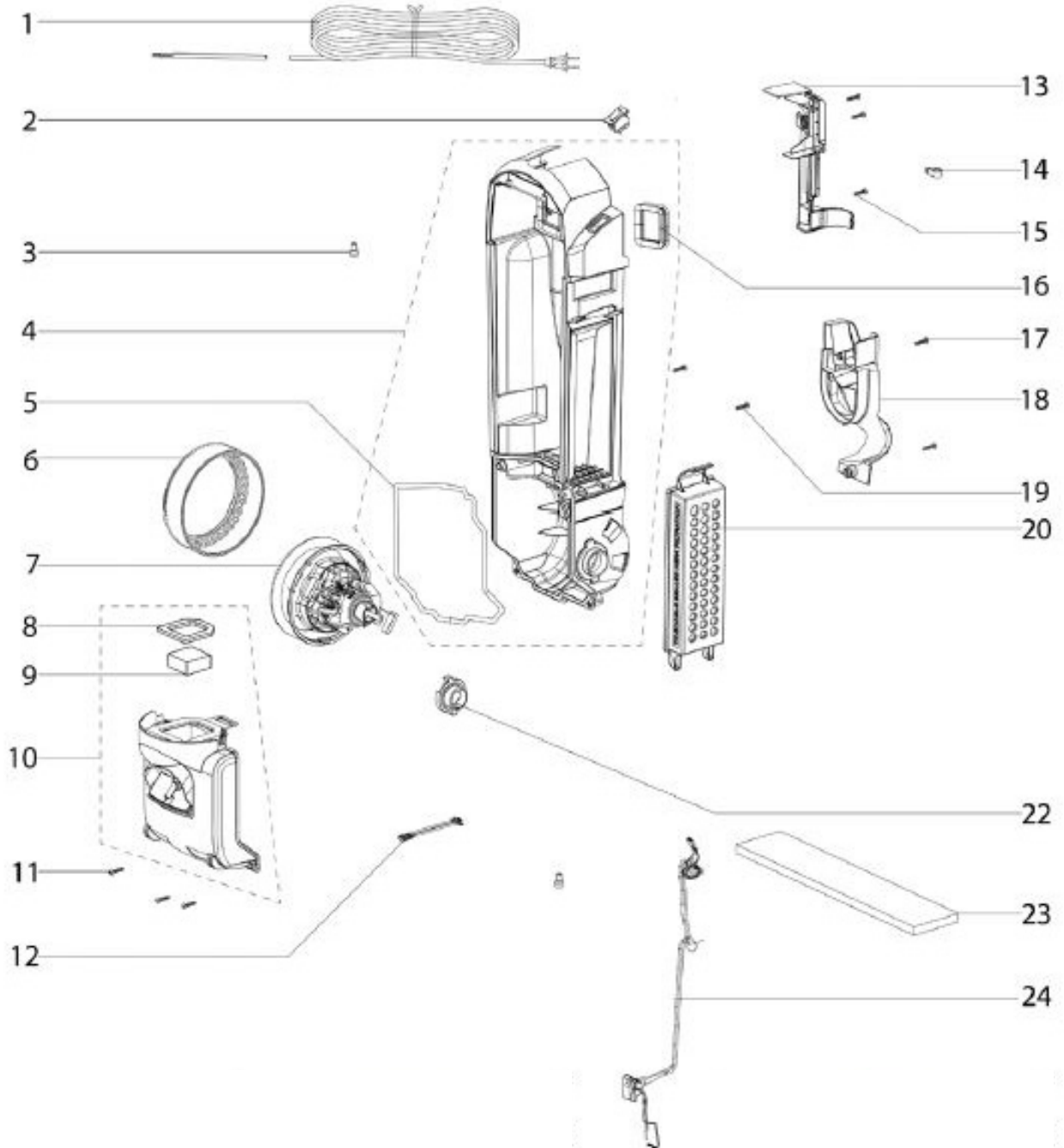


SCHEMATICS - PARTS LISTS

No.	Part No.	Qty	Description
1	ER139	1	Hose Assembly
2	ER139	1	Hose Assembly
3	N/A	2	Base Felt
4	ER222	1	Height Adjustment Knob
5	ER224	1	Base
6	X1844	1	Spring
7	ER225	1	Wheel Carriage
8	ER226	1	Front Axle
9	ER228	2	Front Wheel
10	09.024	1	Belt
11	ER230	2	Screw
12	ER139	1	Hose Assembly
13	ER230A	2	Screw
14	X1845	1	Hood Assembly
15	ER232	1	Handle Release Spring
16	ER230	2	Handle Screw
17	ER455	2	Motor Clamp
18	ER235	1	Handle Release
19	59.084	2	Retaining Ring
20	ER236	2	Rear wheel
21	ER237	2	Axle Bushing
22	59.095	2	Rear Axle
23	ER215	1	Belt Cap
24	N/A	2	Belt Cap Felt
25	10.173	1	Brushroll Assembly
26	N/A		Included w/#14
27	N/A	1	Belt Guard
Not Shown	N/A		Dampner End Cap (LH)
Not Shown	N/A		Dampner End Cap (RH)

SCHEMATICS - PARTS LISTS

PF82DC MAIN BODY

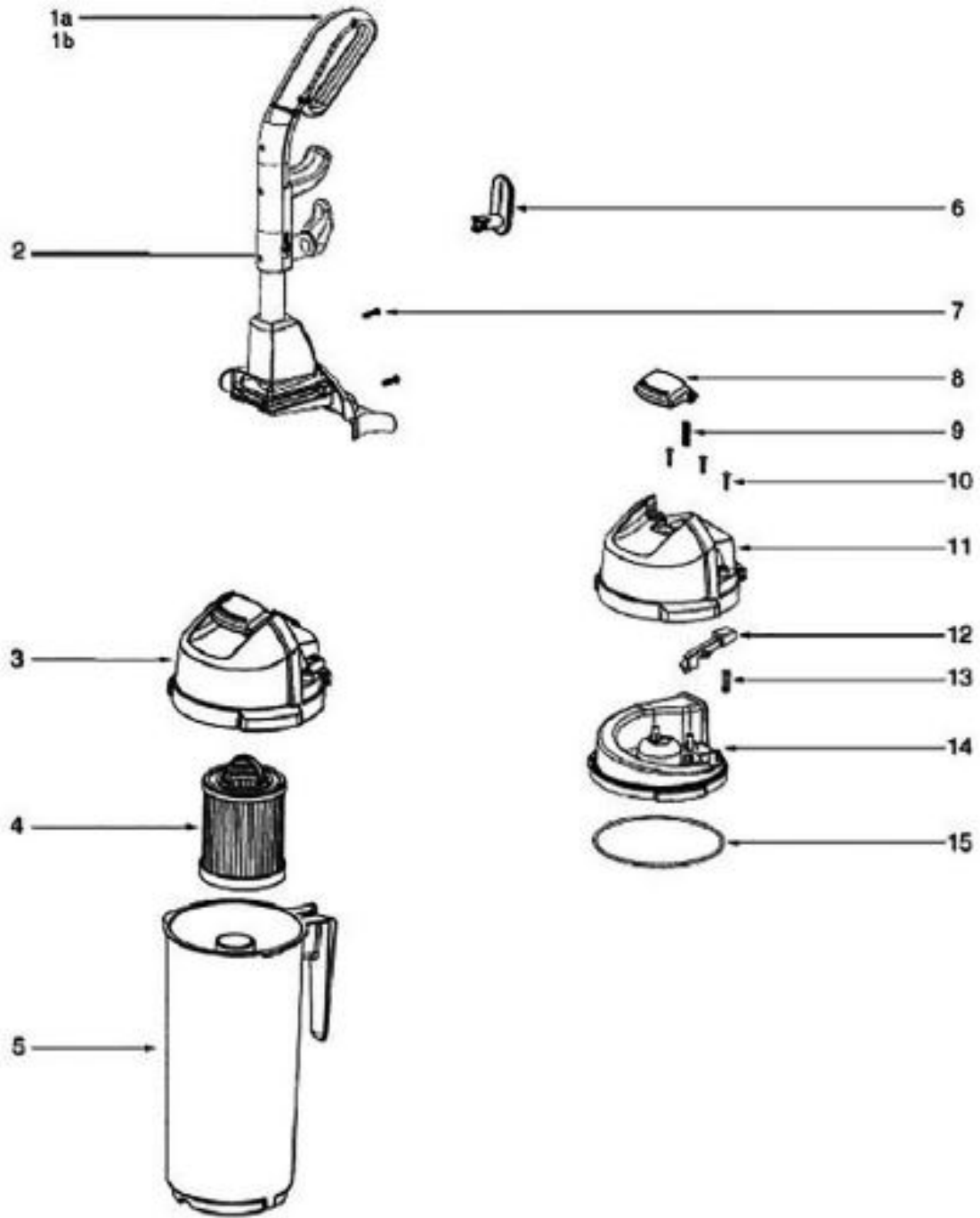


SCHEMATICS - PARTS LISTS

No.	Part No.	Qty	Description
1	ER269	1	Supply Cord & Terminal Assy
2	ER276	1	Rocker Switch
3	N/A	2	Wire Splice 5
4	X1855	1	Rear Housing Assembly
5	N/A	1	Included w/#4
6	N/A	1	Gasket - Motor Can
7	ER279A	1	Motor Assembly - Packaged
8	X1856	1	Lower Dirt Cup Gasket
9	ER280	1	Filter - Pre-Motor
10	X1857	1	Motor Cover Assy - Packaged
11	ER230A	3	Screw
12	X1858	1	Thermostat 110 Deg
13	ER284	1	Switch Cover Assembly
14	N/A	1	Cable Clamp
15	ER230A	3	Screw
16	N/A	1	Gasket - Intake
17	ER230A	2	Screw
18	ER318	1	Tool Pack - Lower
19	ER230A	2	Screw
20	ER285	1	Washable Hepa Filter - Pkgd
22	X1859	1	Motor Support Bushing
23	N/A	1	Sound Foam
24	X1860	1	Jumper Cord

SCHEMATICS - PARTS LISTS

PF82DC HANDLE & DUST CUP

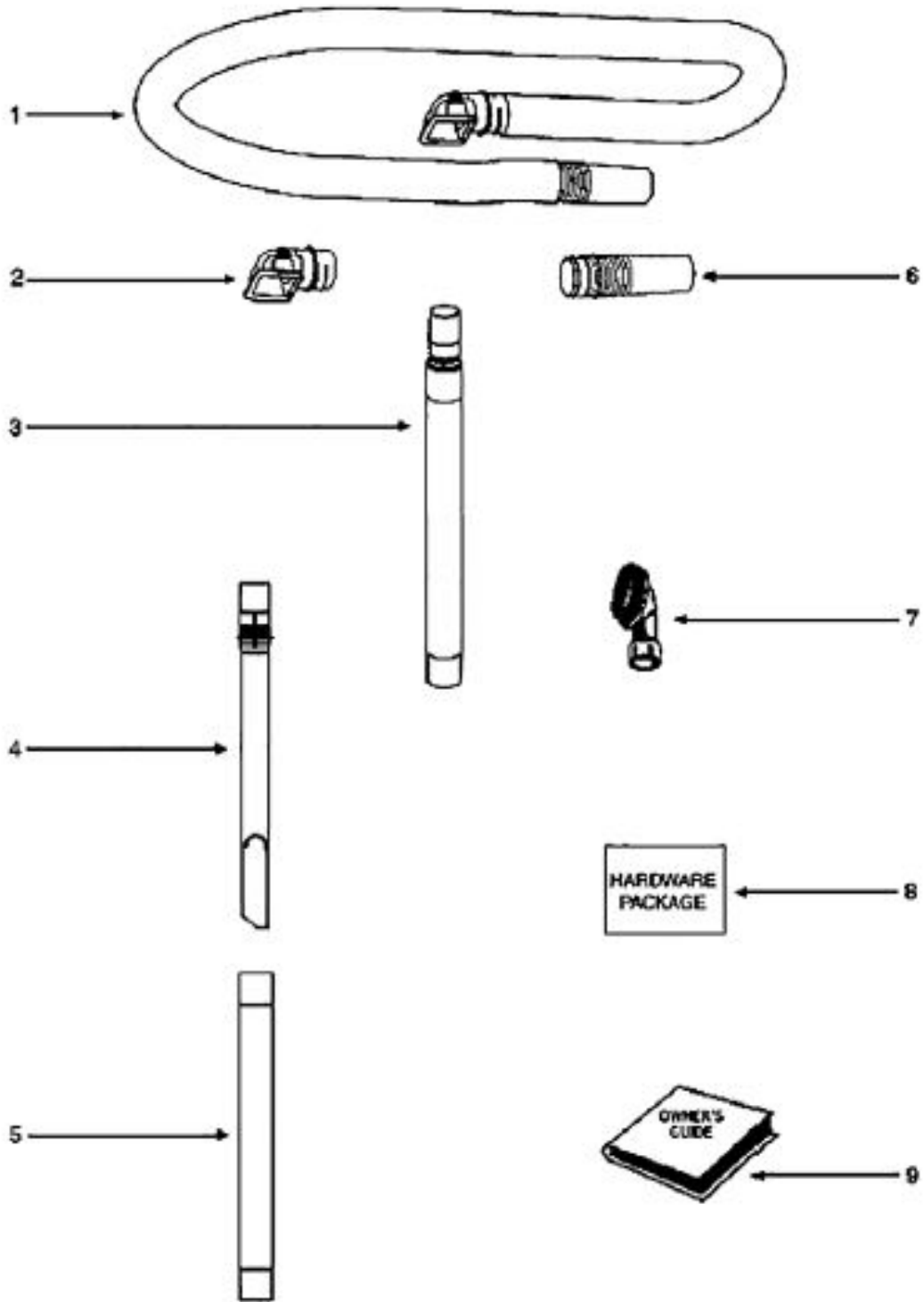


SCHEMATICS - PARTS LISTS

No.	Part No.	Qty	Description
1a	N/A	1	Left Handle Grip
1b	N/A	1	Right Handle Grip
2	ER292	1	Upper Handle Assembly
3	X1846	1	Cyclone Assembly
4	X1847	1	Dust Cup Filter Assembly
5	X1848	1	Dust Cup Assembly
6	ER251	1	Cord Retainer
7	X1849	2	Screw
8	X1850	1	Dust Cup Latch
9	N/A	1	Included w/#3
10	ER230	3	Screw
11	N/A	1	Included w/#3
12	X1851	1	Filter Catch
13	X1852	1	Spring
14	X1853	1	Cyclone
15	X1854	1	Cyclone Gasket

SCHEMATICS - PARTS LISTS

PF82DC ACCESSORIES



SCHEMATICS - PARTS LISTS

No.	Part No.	Qty	Description
1	ER180	1	Hose Assembly
2	ER187	1	Hose Adapter
3	ER181	1	Nesting Wand Assembly
4	ER182	1	Crevice Wand
5	N/A	1	Included w/#3
6	ER279	1	Hose Coupling
7	ER186	1	Combination Bursh
8	N/A	1	Hardware Package

For warranty information go to www.Powr-Flite.com

Powr-Flite[®]

A Tacony Company

3101 Wichita Court • Fort Worth, TX 76140-1755
1-800-880-2913 • Fax: 1-817-551-0719