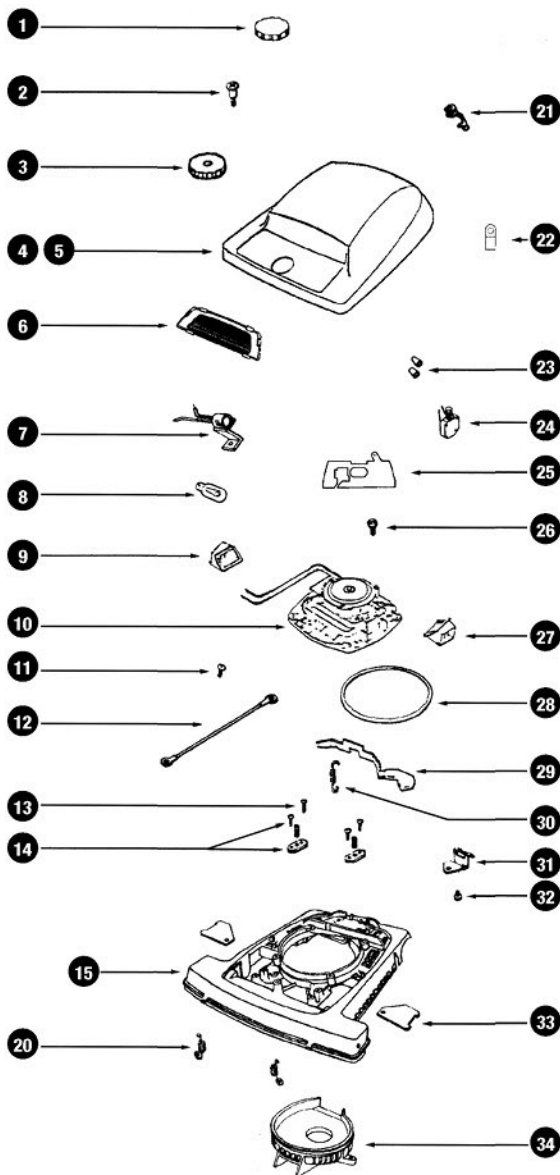
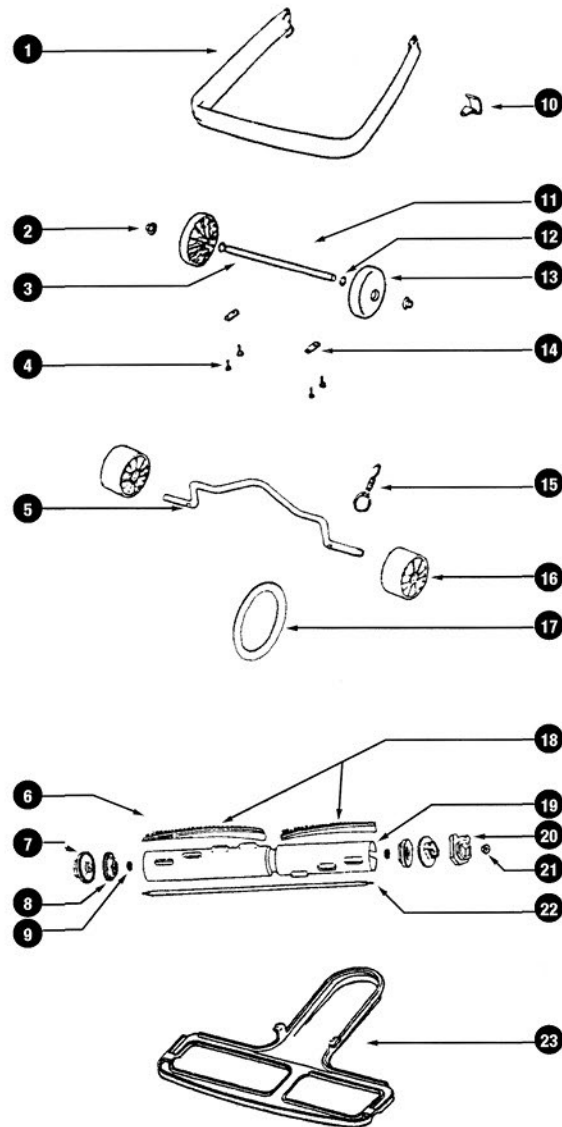


HOOD & BASE ASSEMBLY



ref#	item #	description
HOOD & BASE ASSEMBLY		
2	ER205	screw
4	ER645	hood assembly
6	ER678	lens
8	ER322	light bulb
10	ER632	7 amp motor assembly
13	ER325	screw
14	ER332	clamp and screw assembly
15	ER888	base assembly
20	ER4	hood spring
21	ER331	strain relief bushing
24	ER946	step on switch
26	ER305	screw
28	ER35	gasket
29	ER2	foot pedal
30	ER3	spring for foot pedal
31	ER127	adaptor retainer
32	ER307	screw
33	ER333	wheel cover
34	ER644	see-thru fan scroll cover

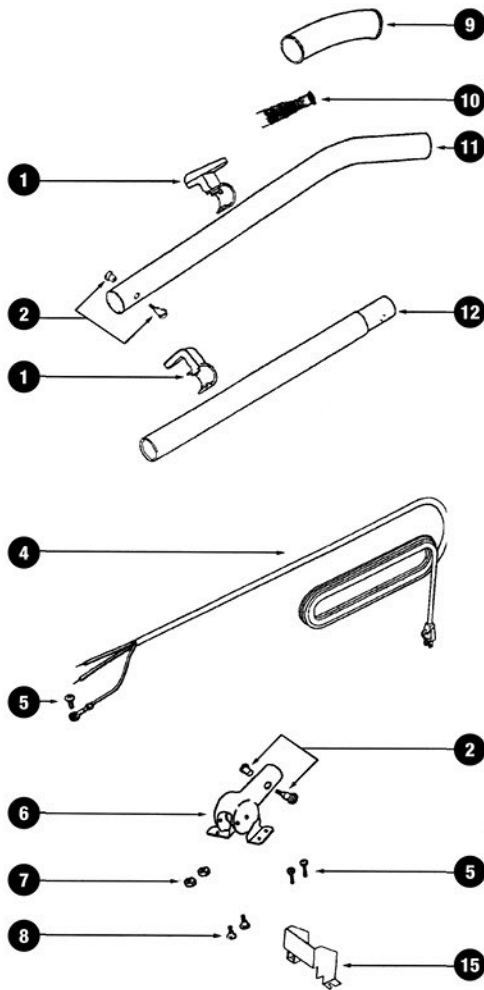
WHEELS & BRUSH ROLL



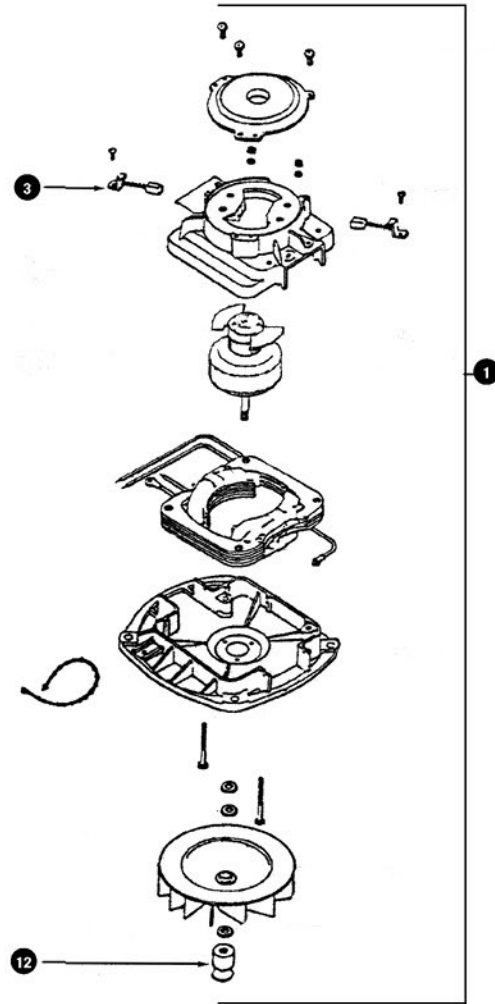
ref#	item #	description
WHEELS & BRUSH ROLL		
1	ER562	bumper, furniture guard
2	ER568	hub cap
3	ER567	rear axle
4	ER307	screw
5	ER353	front axle
6	ER396	Vibra-Groomer II 16" brush roll
7	ER392	end cap
9	ER398	bearing retainer
10	ER608	bumper clip
11	ER564	wheel and axle assembly
12	ER320	washer
13	ER565	rear wheel
14	ER569	axle clamp
15	ER308	axle spring
16	ER37	front wheel
17	ER7	belt, 2 pk
17	ER7B	belt
17	F614	belt, replacement
18	ER223	brush strip set
18	A175	16" Vibra Groomer II brush roll
19	ER386	brush roll tube
20	ER390	rubber end cap cover
20	W2391	rubber end cap cover, replacement
21	ER317	nut
23	ER611	bottom plate assembly

*call for pricing and availability of all referenced parts

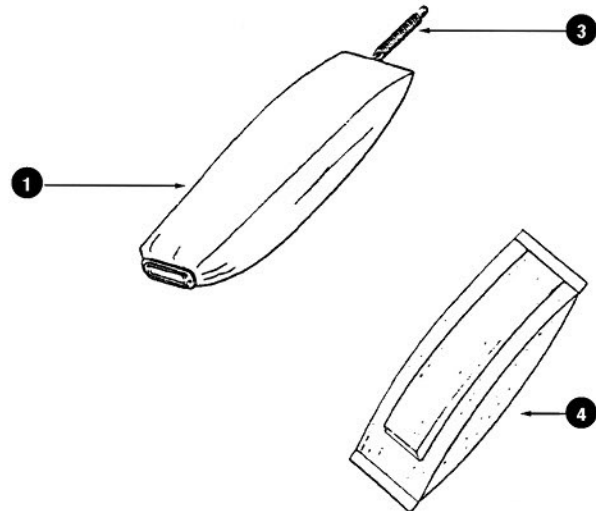
HANDLE ASSEMBLY



MOTOR



BAG ASSEMBLY



ref#	item #	description
HANDLE ASSEMBLY		
1	ER196A	cord retainer pkg, beige, upper and lower
2	ER20	handle bolt and nut
4	ER195	18/3 SJT 50' beige cord
	M1376	18/3 SJT 50' beige cord, replacement
5	ER325	screw
6	ER617	handle socket assembly
9	ER306	handle grip, white
10	ER198	strain relief spring
	W2394	strain relief spring, replacement
11	ER199	upper handle assembly
12	ER200	lower handle tube
MOTOR		
1	ER632	7 amp motor assembly
3	ER623	carbon brush
12	ER202	pulley
BAG ASSEMBLY		
1	G825	Vibra Kleen Vacucide bag, VC models,
	G828	tietex Enviro-Clean bag, EC models,
3	W2363	bag slide and spring
4	265PB	Enviroclean paper bag, 3 pk
	266PB	Enviroclean paper bag, 9 pk

*call for pricing and availability of all referenced parts