

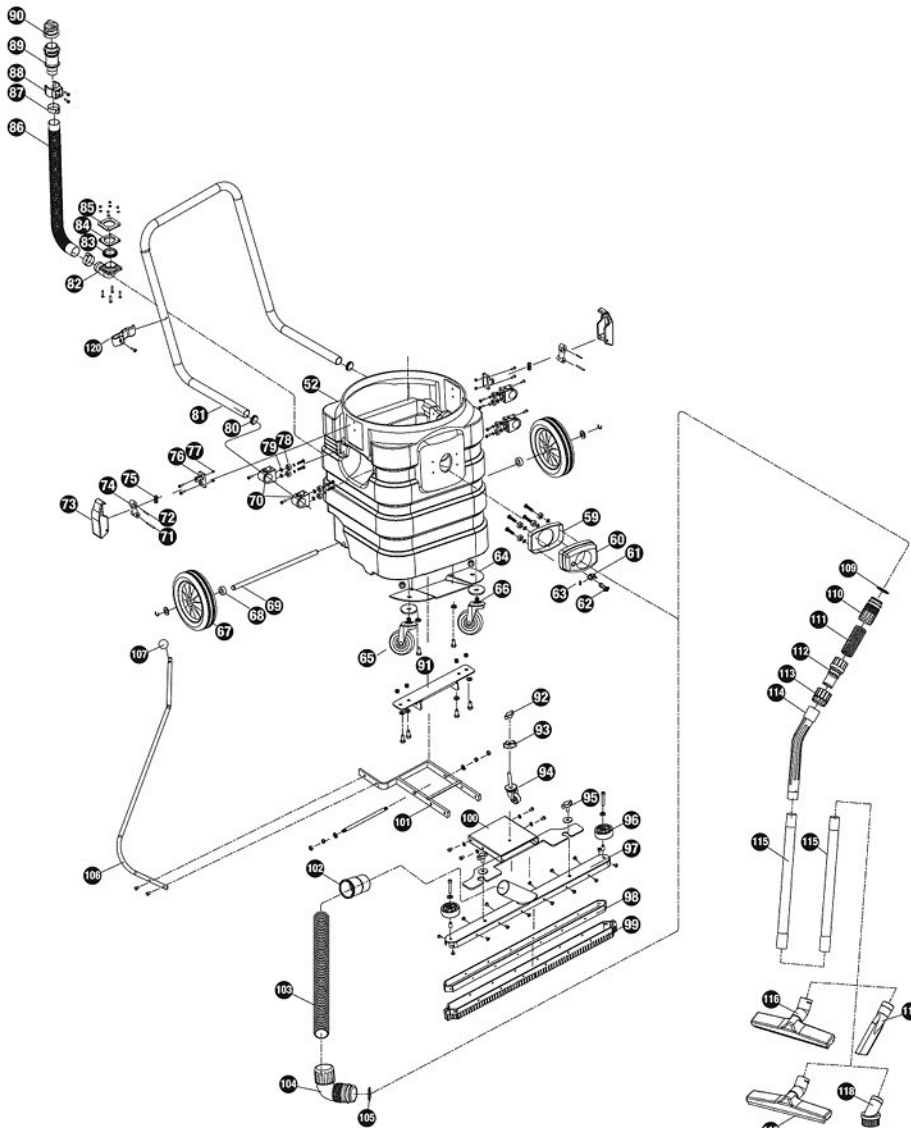
ref #	item #	description
1	WD185	head assembly
1A	WD20A	handle, head
2	WD66C	power cord, pigtail
3	WD66	power cord, 30'
5	WD34	cord protector
6	WD65	top cover
9	WD17	wire plate
10	WD16	housing, middle
12	WD82	base block, lower
13	WD83	top block
15	WD14B	motor seat
17	WD248	blocker
19	WD53	gasket
22	WD67	power switch
23	WD206	capacitor
24	WD207	terminal block
27	WD15	motor

ref #	item #	description
29	WD68	gasket, vac motor
30	WD70	gasket, triangle foam
31	WD69	gasket, square foam
32	WD85	stopper plate
34	WD166	plate
37	WD87	motor seat
38	WD201	gasket, housing base
39	WD10	base cover, motor
41	WD165	gasket, outer, housing base
43	WD9	float
44	WD8	float cage
46	WD37	spring, filter
47	WD35	hook, filter
48	WD36	filter cartridge, washable
49	WD7	filter frame
50	WD3	filter assembly

**NOT ILLUSTRATED**

WD115 grounding clamp

\*call for pricing and availability of all referenced parts



ref #	item #	description
52	WD120	tank, poly
59	WD50	gasket, rubber
60	WD45	suction coupler
61	WD86	button base
62	WD46	button
63	WD47	spring
64	WD167	wheel mount bracket
65	WD256	washer, caster
66	WD123M	caster, front
67	WD124M	wheel, rear
68	WD136	wheel cover
69	WD125	wheel shaft, rear
70	WD72	holder
71	WD131	clip pin, long
72	WD129	clip pin, short
73	WD43	clamp assembly
74	WD127	clamp holder
75	WD52	spring
76	WD128	base, clamp
77	WD44	nut, hex M4
78	WD76	washer, handle holder
79	WD77	holder
80	WD133	cover
81	WD132	handle
82	WD141	bend connector

ref #	item #	description
83	WD187	dump hose, bottom seal
84	WD188	dump hose, top seal
85	WD189	dump hose, fixer plate
86	WD143	hose assembly complete
87	WD190	dump hose, clamp
88	WD146	hook
89	WD144	connector b
90	WD145	top cover
91	WD168	u-shaft
92	WD169	button
93	WD170	fixed nut
94	WD171	adjusting wheel
95	WD172	squeegee blade button screw
97	WD174	squeegee body
98	WD175	blade bracket
100	WD177	fixed plate 2
101	WD179	pedal wand bracket
102	WD180	connector
103	WD181	hose
104	WD182	bend connector
105	WD191	seal

ref #	item #	description
106	WD184	adjuster lever
107	WD186	adjuster lever knob
109	WD191	hose gasket
110	WD24	connector
111	WD25	hose assembly
112	WD26	connector
113	WD27	holder, wand
114	WD28	bend connector
115	WD29	wand
116	WD112	brush nozzle assembly
117	WD32	crevice tool
118	WD33	dust brush
119	WD30A	squeegee nozzle assembly
120	WD192	handle hook, squeegee

**NOT ILLUSTRATED**

WD143	drain hose assembly
FM100H	front mounted squeegee assembly
WD221	M10 brass nut (tank)
WD44	M4 nut

\*call for pricing and availability of all referenced parts