

# **Powr-Flite**<sup>®</sup>

## **PARTS LIST**

### **COMMERCIAL UPRIGHT VACUUM CLEANER**

**PF50DC**

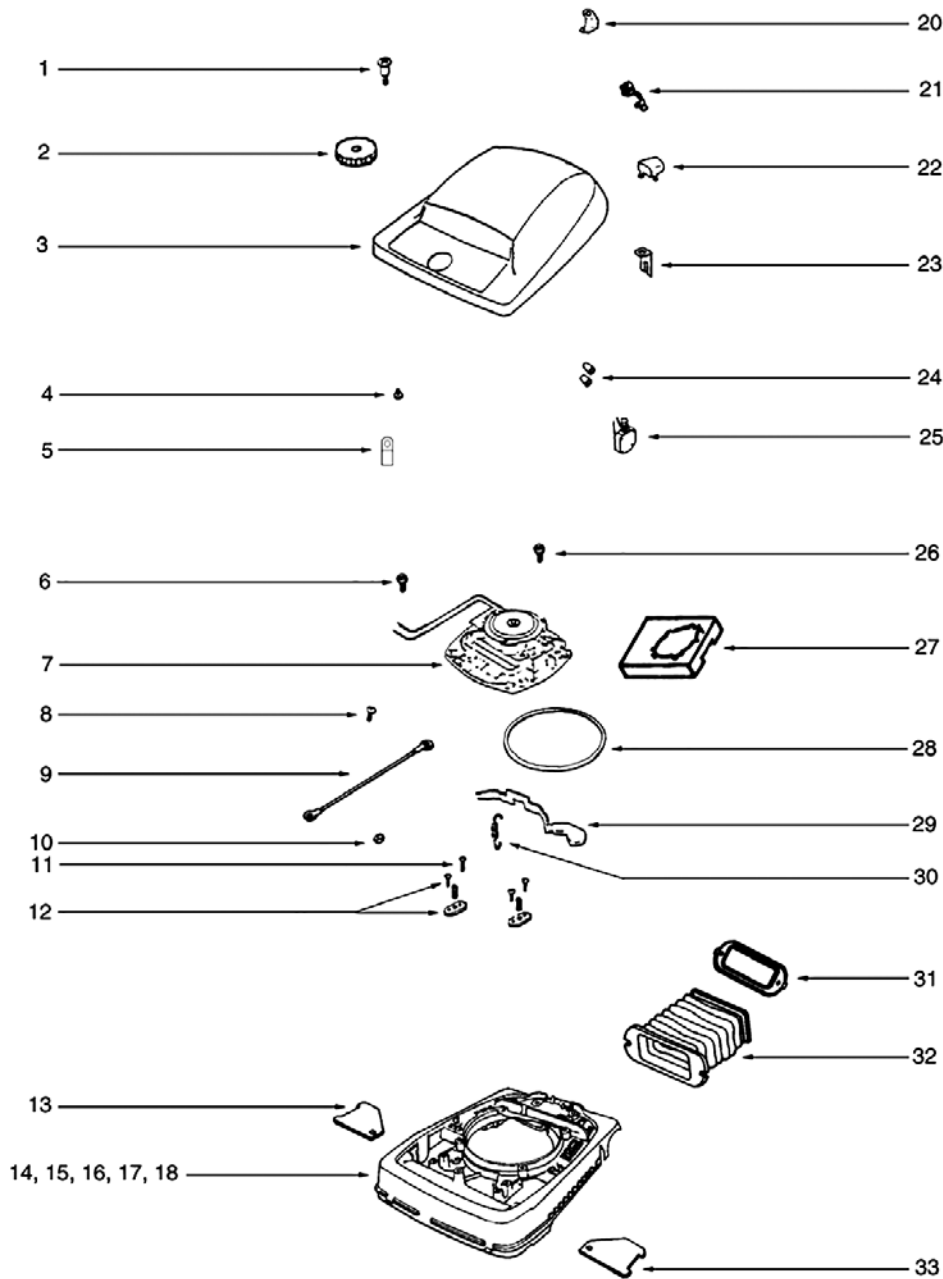


**WARNING: OPERATOR MUST READ AND UNDERSTAND THIS MANUAL  
COMPLETELY BEFORE OPERATING THIS EQUIPMENT.**

**Save These Instructions**

# MODEL - PF50DC

## Base & Hood • PF50DC

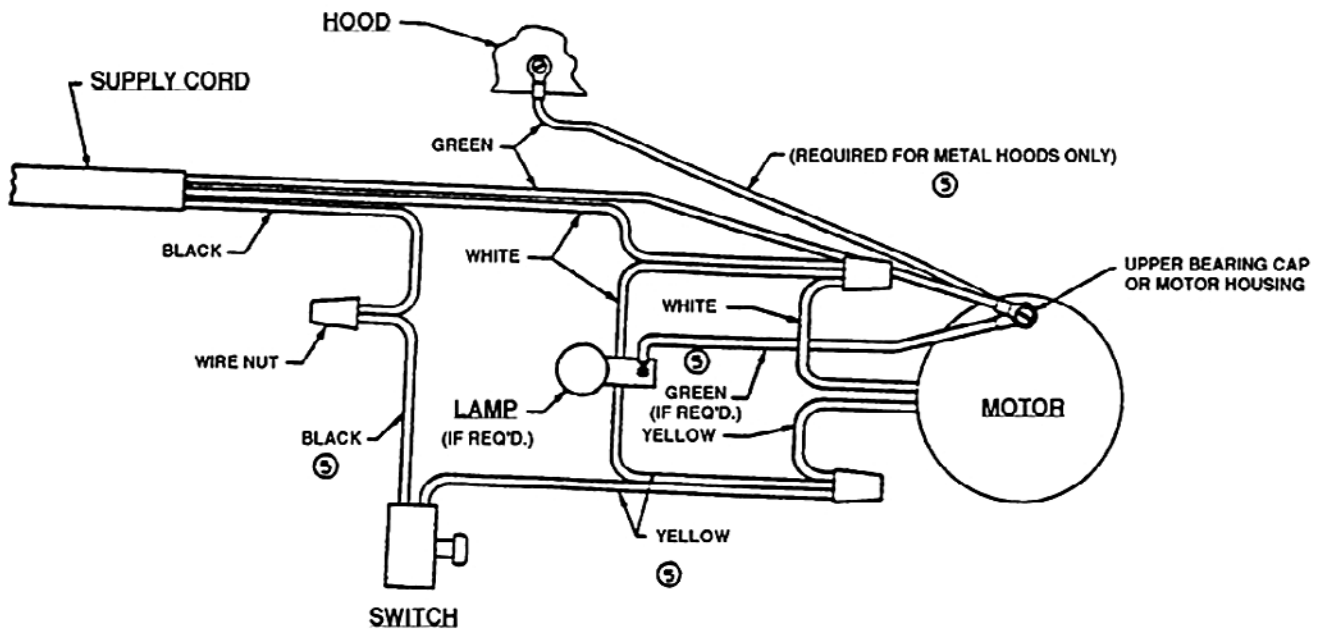
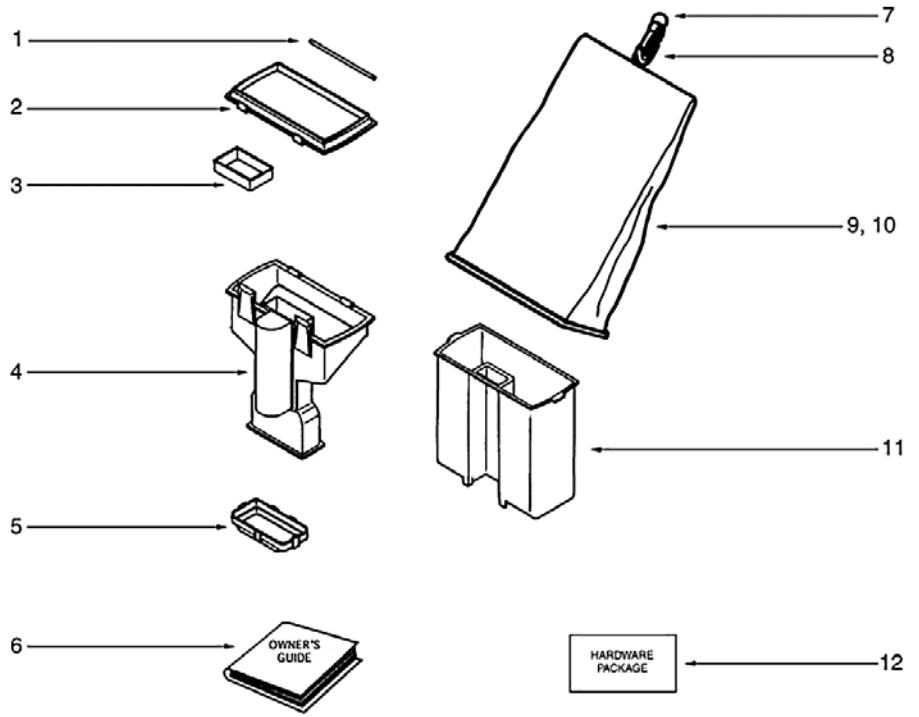


PF50DC		
Ref#	Item#	Description
<b>FURNITURE GUARD AND BRUSHROLL</b>		
1	ER205	SCREW PACKAGE (10)
2	X1795	KNOB ASSEMBLY
3	X1828	HOOD & GRAPHICS ASSY - PKGD
4	ER307	SCREW PACKAGE
5	N/A	CLAMP - CABLE
6	ER305	SCREW PACKAGE
7	X1829	MOTOR ASSEMBLY - CARTONED
8	X1830	SCREWS - PACKAGE 10
9	X1831	WIRE & TERMINAL ASSEMBLY
10	X1832	NUTS - PACKAGE 10
11	ER325	SCREW PACKAGE
13	ER333	COVER - WHEEL
14	X1833	BASE ASSEMBLY - 12 INCH
15	N/A	CAM (RIGHT)
16	N/A	CAM (LEFT)
17	N/A	RIVET - SHOULDER PACKAGE (10)
18	N/A	STEEL WASHERS - PACKAGE 10
19	ER679	SCREW PACKAGE
20	ER886	BRACKET - BUSHING
21	ER331	STRAIN RELIEF BUSHING - PKGD
22	X1834	BUTTON - SWITCH
23	ER884	CLIP - SWITCH
24	N/A	WIRE SPLICE 5
25	ER946	SWITCH ASSEMBLY
26	N/A	SCREW PACKAGE
27	N/A	SEPARATOR ASSEMBLY
28	09.077	GASKET - MOTOR SEAL
29	ER2	PEDAL - FOOT
30	ER3	SPRING - FOOT PEDAL PKG (5)
31	ER958	CLAMP - BELLOWS
32	ER953	BELLOWS

# MODEL - PF50DC

## Dirt Cup • PF50DC

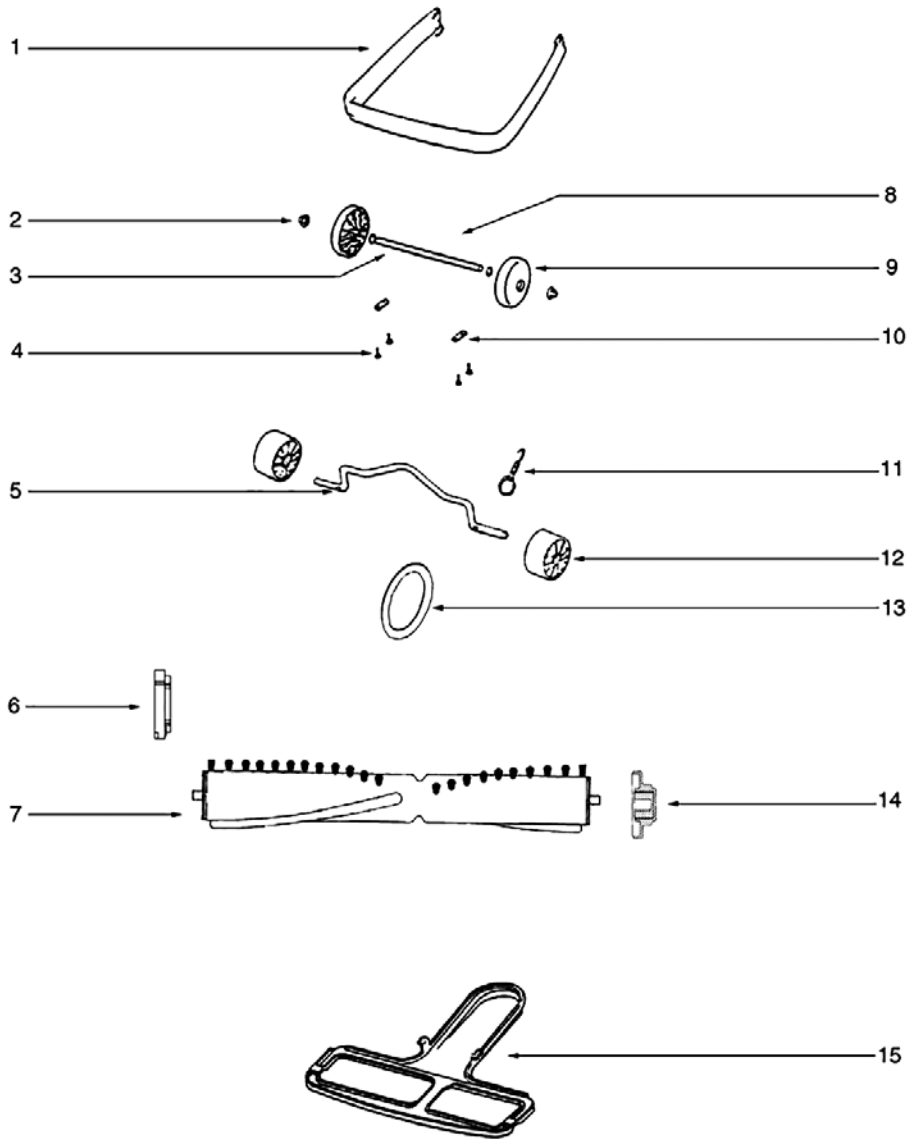
PF50DC		
Ref#	Item#	Description
<b>DIRT CUP</b>		
1	ER601	PIN COVER
2	59.832	FLANGE - BAG (OUTER)
3	09.033	GASKET
4	06.117	SUPPORT & LATCH ASSY - PKGD
5	06.897	CLAMP
7	X1819	RING STEEL
8	X1820	HOOK - SNAP
9	X1835	BAG ASSEMBLY - PACKAGED
10	09.282	GASKET - DIRTCUP
11	X1822	DIRT CUP
12	N/A	HARDWA RE PKG - COMM UPRIGHT



36575 WIRING DIAGRAM

# MODEL - PF50DC

## Furniture Guard and Brushroll • PF50DC

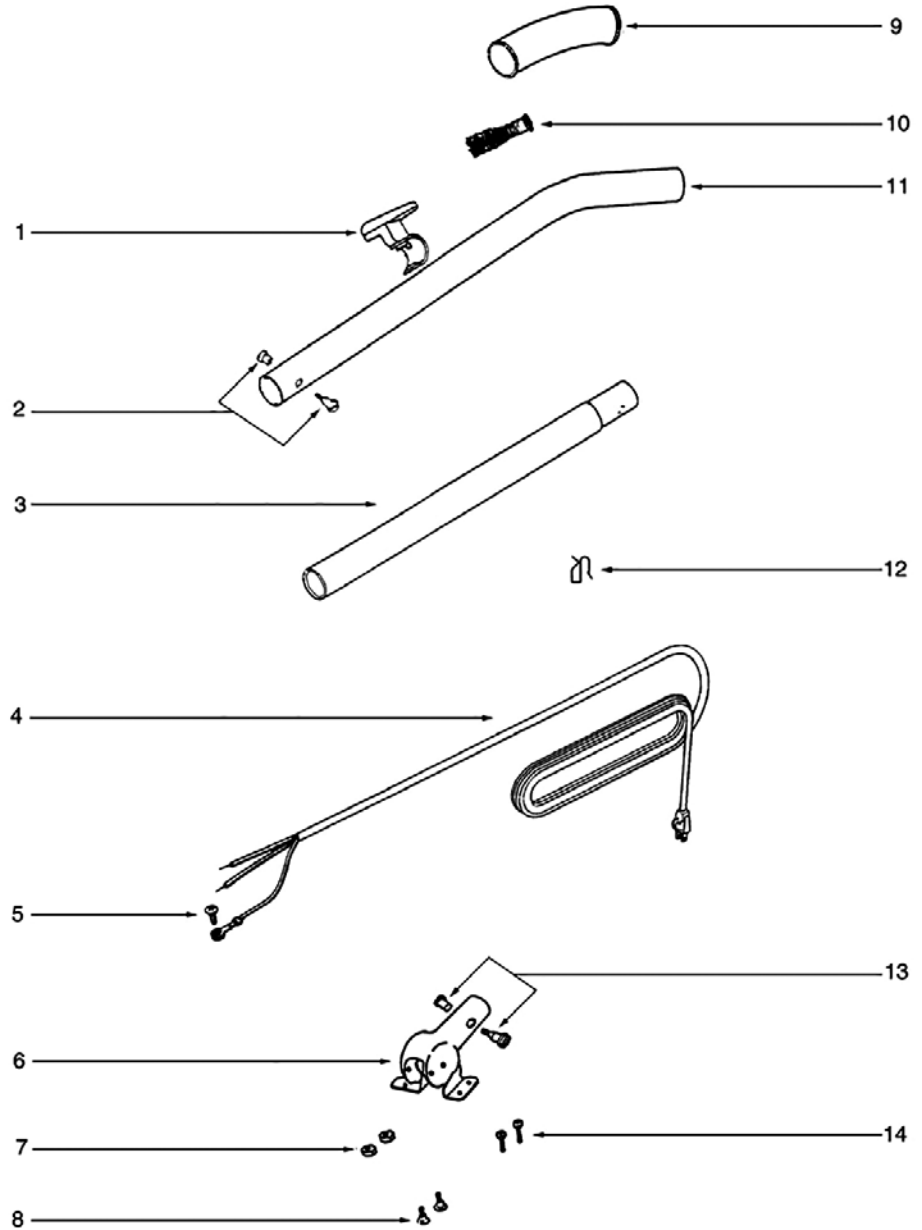


PF50DC		
Ref#	Item#	Description
<b>FURNITURE GUARD AND BRUSHROLL</b>		
1	87.035	GUARD - FURNITURE
2	ER568	PUSH NUT PACKAGE (10)
3	ER567	AXLE - REAR
4	ER307	SCREW PACKAGE
5	ER353	AXLE - FRONT
6	ER390	CAP - COVER
7	X1836	DISTURBULATOR REPLACEMENT KIT
8	ER564	WHEEL & AXLE ASSY
9	ER565	WHEEL - REAR
10	X1837	AXLE CLAMP - PACKAGED
11	ER308	SPRING & AXLE PACKAGE (6)
12	ER37	WHEEL - FRONT
13	ER7B	BELT - DRIVE (STYLE RD)
14	ER328	CAP & BEARING ASSEMBLY
15	ER214	BOTTOM PLATE ASSEMBLY

# MODEL - PF50DC

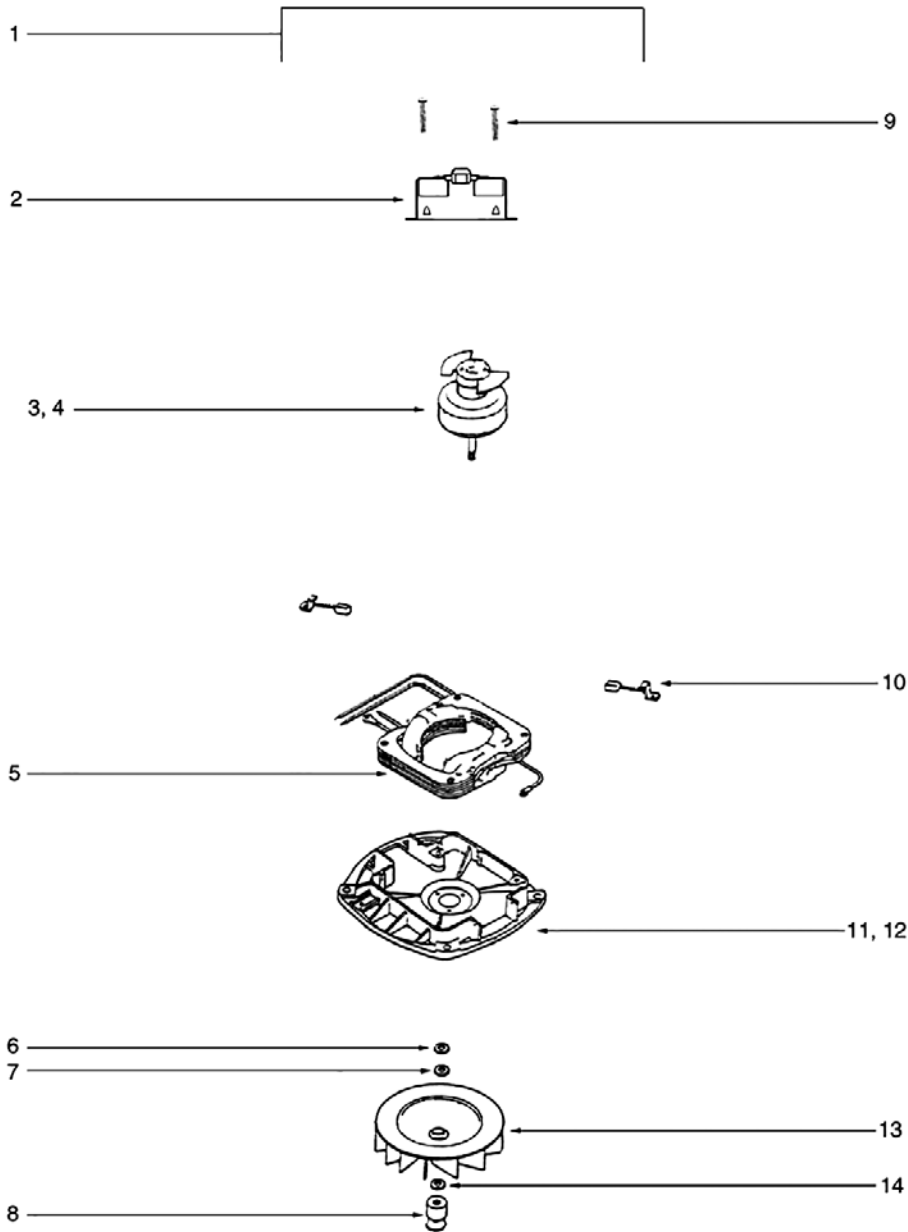
## Handle • PF50DC

PF50DC		
Ref#	Item#	Description
<b>HANDLE</b>		
1	X1815	Cord Retainer Set
2	ER20	Handle Screw Assembly Package
3	X1839	TUBE - HANDLE (LOWER)
4	X1840	CORD & TERMINAL ASSY 30' 8"
5	ER325	SCREW PACKAGE
6	ER135	HANDLE SOCKET ASSEMBLY
7	X1832	NUTS - PACKAGE 10
8	X1842	BOLT PACKAGE (10)
9	ER306	GRIP - HANDLE
10	ER198	SPRING - STRAIN RELIEF PKG (5)
11	X1843	HANDLE ASSEMBLY (UPPER)
12	N/A	CLIP - WIRE



# MODEL - PF50DC

## Motor • PF50DC



PF50DC		
Ref#	Item#	Description
<b>MOTOR</b>		
<b>1</b>	X1829	MOTOR ASSEMBLY - CARTONED
<b>6</b>	ER344	WASHER PACKAGE
<b>7</b>	ER17A	WASHER - FAN PACKAGE (10)
<b>8</b>	ER202	PULLEY - MOTOR
<b>10</b>	ER442	MOTOR BRUSH ASSEMBLY
<b>13</b>	ER17	FAN BLOWER - MOTOR

# MODEL - PF50DC

**Notes:**

## POWR-FLITE LIMITED WARRANTY

Powr-Flite will repair or exchange parts for your vacuum in the event of a manufacturing defect as follows:

**PARTS:** New or comparable rebuilt parts, for one year after original purchase.

**LABOR:** Carry-in service can be obtained during the warranty period by taking your vacuum to an Authorized Powr-Flite Warranty Service Center.

**IMPORTANT WARRANTY CONDITIONS:** A purchase receipt or other proof of date of original consumer purchase also will be required before warranty service is rendered.

This warranty covers normal use and does not cover damage which occurs in shipment or failure resulting from alteration, accident, misuse, abuse, neglect, or improper maintenance.

**STATEMENT:** This warranty is not transferable and extends only to the original purchaser when a new Powr-Flite vacuum is purchased from an Authorized Powr-Fite Dealer. This warranty gives you specific legal rights, and you may have other rights that vary from state to state.

# ***Powr-Flite***<sup>®</sup>

A Tacony Company

3101 Wichita Court • Ft. Worth, TX 76140-1755  
1-800-880-2913 • Fax: 1-817-551-0719 • [www.Powr-Flite.com](http://www.Powr-Flite.com)