

Power-Flite®

PARTS LIST

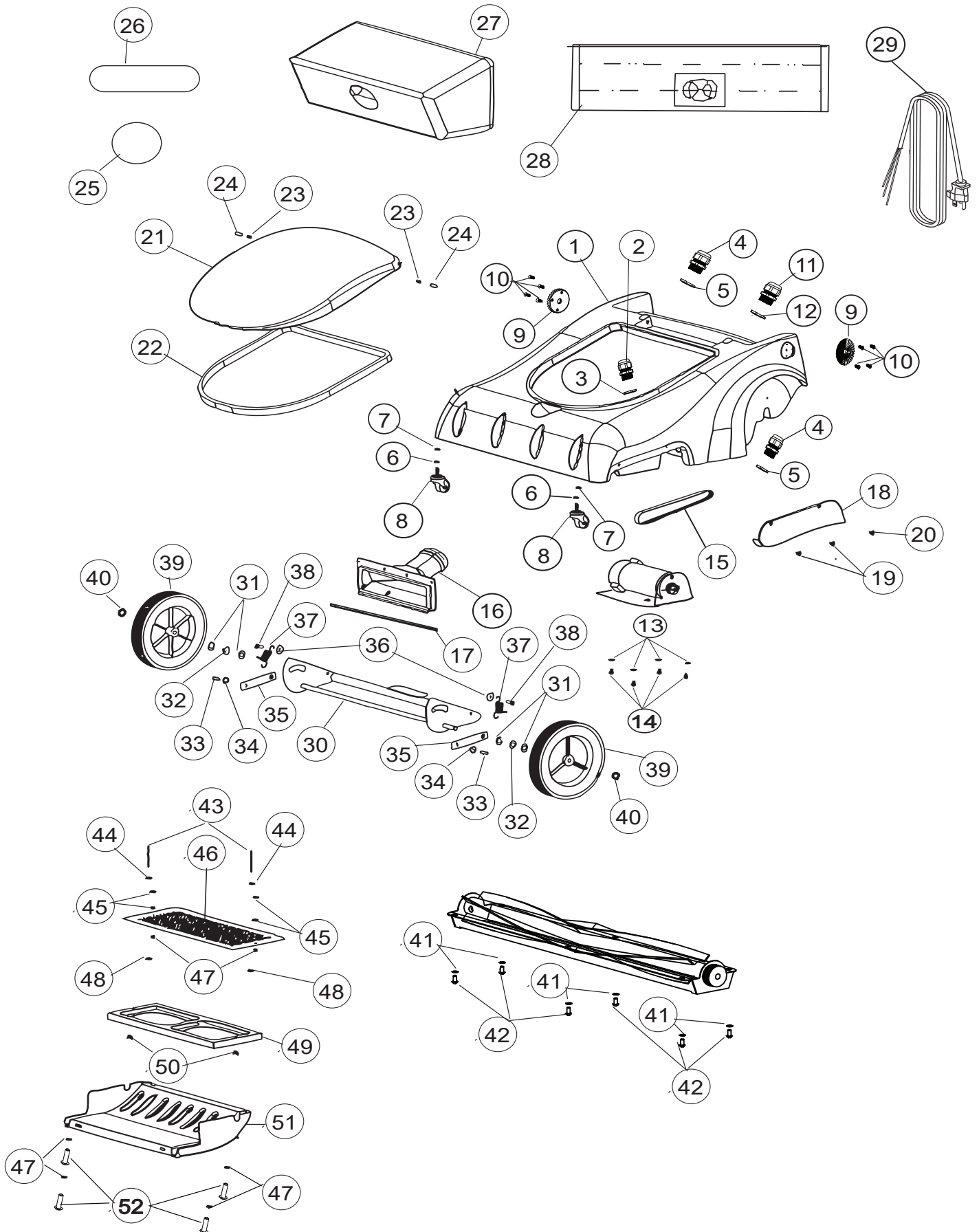
WIDE AREA VACUUM MODEL PF2030



**WARNING: OPERATOR MUST READ AND UNDERSTAND THIS MANUAL
COMPLETELY BEFORE OPERATING THIS EQUIPMENT.**

SCHEMATICS - PARTS LISTS

PF2030 Main Body



SCHEMATICS - PARTS LISTS

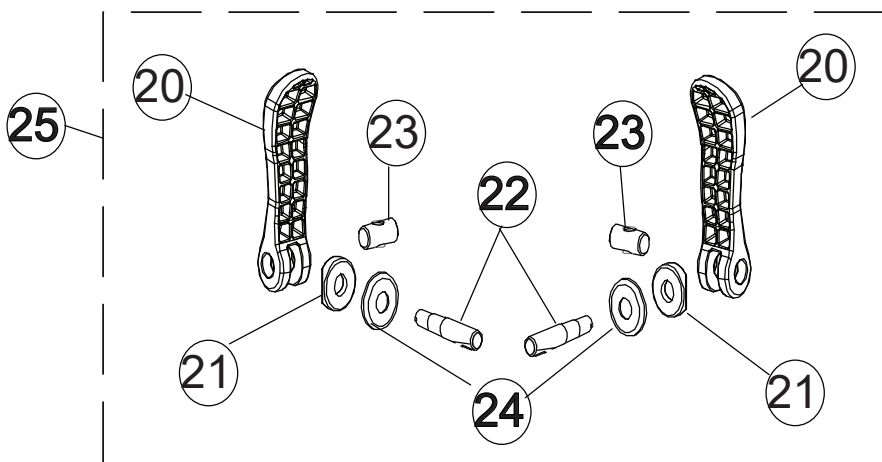
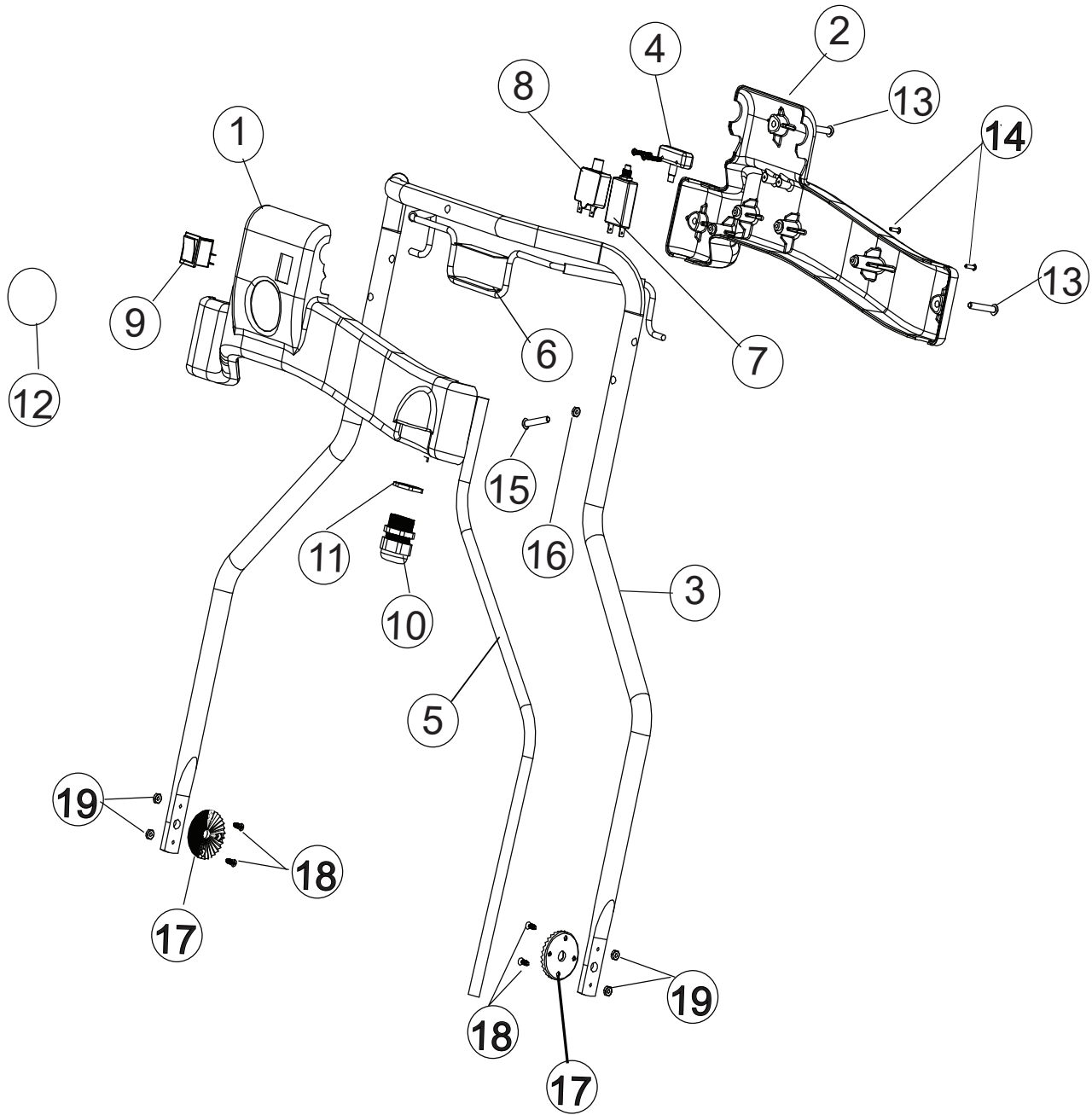
No.	Part No.	Qty	Description
1	33036-V	1	Chassis
2	30084	1	Strain Relief 1"
3	30085	1	Lock Nut for Strain Relief 1"
4	PD8	2	Strain Relief 1/2"
5	X8008N	2	Nut Conduit 1/2
6	03536	2	Lock Washer
7	03321	2	Washer
8	31209	2	Front Wheel
9	19798	2	Grooved Handle Bracket
10	33114	8	Screw 8-32 x 1/2"
11	33191	1	Strain Relief
12	33192	1	Lock Nut for Strain Relief
13	00851	4	Washer
14	33202	4	Screw 1/4-20 x 1/2"
15	19802	1	Brush Drive Belt
16	33193	1	Filter Chute
17	33502	1	Chute Gasket
18	33057A	1	Belt Cover
19	15162	2	Screw 1/4-20 x 1/2"
20	X9425	1	Screw #12 x 3/4"
21	33037	1	Blue Lid
22	30079B	1	Lid Gasket
23	15357	2	Spring
24	19864	2	Lid Hinge Pin
25	33049	1	Round Lid Decal
26	33048	1	Logo Decal
27	19816	1	Cloth Bag
28	90701H	1	HEPA Bag (10 Pack)
29	19473	1	Power Cord 14/3 75'
30	30491	1	Brush Level Axle
31	19616	4	Washer
32	19818	2	Spring
33	30461	2	Pivot Sleeve
34	19999	2	Screw 1/4-20 x 1-1/8"
35	19841	2	Arm Wheel Pivot
36	30464	2	Pivot Sleeve
37	30466	2	Spring
38	30617	2	Shoulder Bolt
39	19797	2	Wheel
40	30507	2	Snap Ring

SCHEMATICS - PARTS LISTS

No.	Part No.	Qty	Description
41	7CY002	6	Toothed Washer
42	00086	6	Screw 1/4-20 x 1/2"
43	33630	2	Screw #10-32 x 3"
44	11385	4	Washer
45	01604	4	Nut
46	30080	1	Vacuum Cover
47	11219	6	Washer
48	30358	2	Nut
49	19855	1	Exhaust Filter
50	19975	2	Wing Nut
51	19854G	1	Exhaust Cover
52	30018	4	Thumb Screw w/ Shoulder

SCHEMATICS - PARTS LISTS

PF2030 Handle Assembly

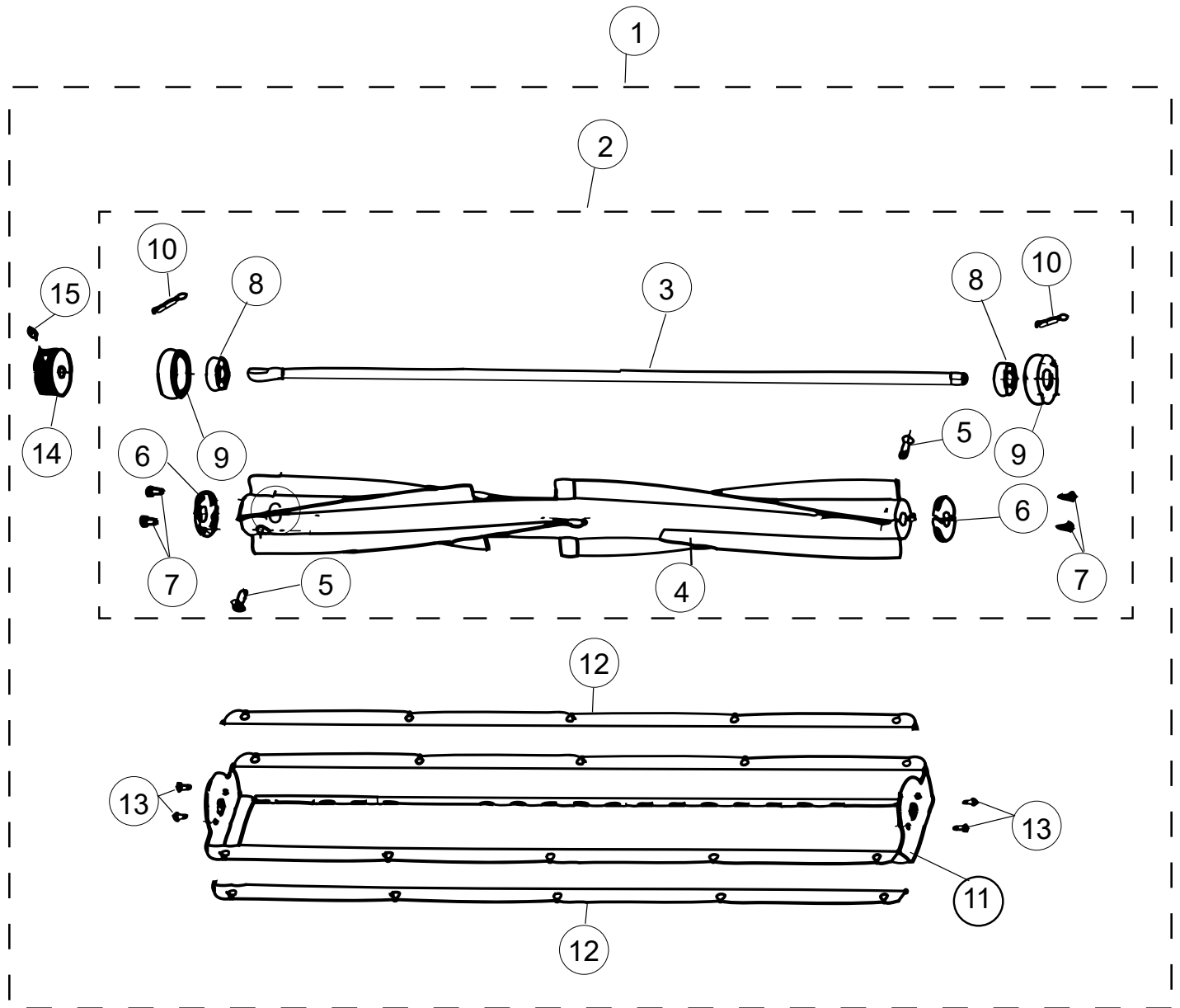


SCHEMATICS - PARTS LISTS

No.	Part No.	Qty	Description
1	33189	1	Top Switch Box
2	33190	1	Bottom Switch Box
3	19829	1	Handle
4	X1039	1	Momentary Switch
5	33452A	1	Handle Harness
6	19849	1	Brush Switch Trigger
7	33108	1	Circuit Breaker 2.5 Amp
8	19990	1	Circuit Breaker 15 Amp
9	32966	1	ON/OFF Switch
10	33191	1	Strain Restaint
11	33192	1	Conduit Nut
12	33050	1	Handle Decal
13	01978	3	Screw 1/4-20 x 1-1/2"
14	16924	4	Screw # 6-32 x 3/4"
15	03261	2	Screw #10 32 x 3/8"
16	11007	4	Toothed Lock Washer
17	19798	2	Grooved Bracket
18	05769	4	Screw #8-32 x 5/8"
19	30074	4	Nut
20	33102	2	Cam Lever Handle
21	33103	2	Cam Lever Washer
22	33104	2	Cam Lever Handle Stud
23	33105	2	Cam Lever Handle Hinge Pin
24	33106	2	Cam Lever Handle Washer
25	33102-KIT		Cam Handle Kit

SCHEMATICS - PARTS LISTS

PF2030 Agitator

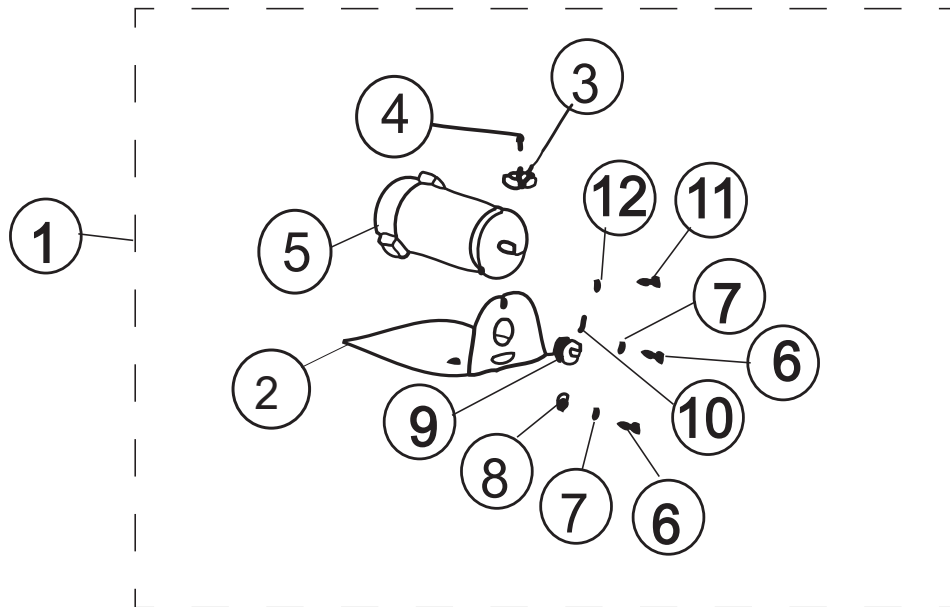


SCHEMATICS - PARTS LISTS

No.	Part No.	Qty	Description
1	19870	1	Complete Brush Assembly
2	X1298	1	Roller Assembly
3	19808	1	Brush Roll Axle
4	19811	1	Brush Roll
5	11276A	2	Screw 1/4-20 x 7/8"
6	19848	2	Thread Guard
7	07535	4	Screw #8-15 x 3/8"
8	19809	2	Bearing
9	19805	2	Brush Bearing Block
10	32896	2	Gasket
11	19810	1	Brush Shoe Mount
12	30077	1	Gasket
13	16142B	4	Screw #10-32 x 1/2"
14	19804A	1	Brush Drive Pulley
15	02011	2	Set Screw 1/4-20 x 5/16"
Not Shown	07858	1	Spring Finger

SCHEMATICS - PARTS LISTS

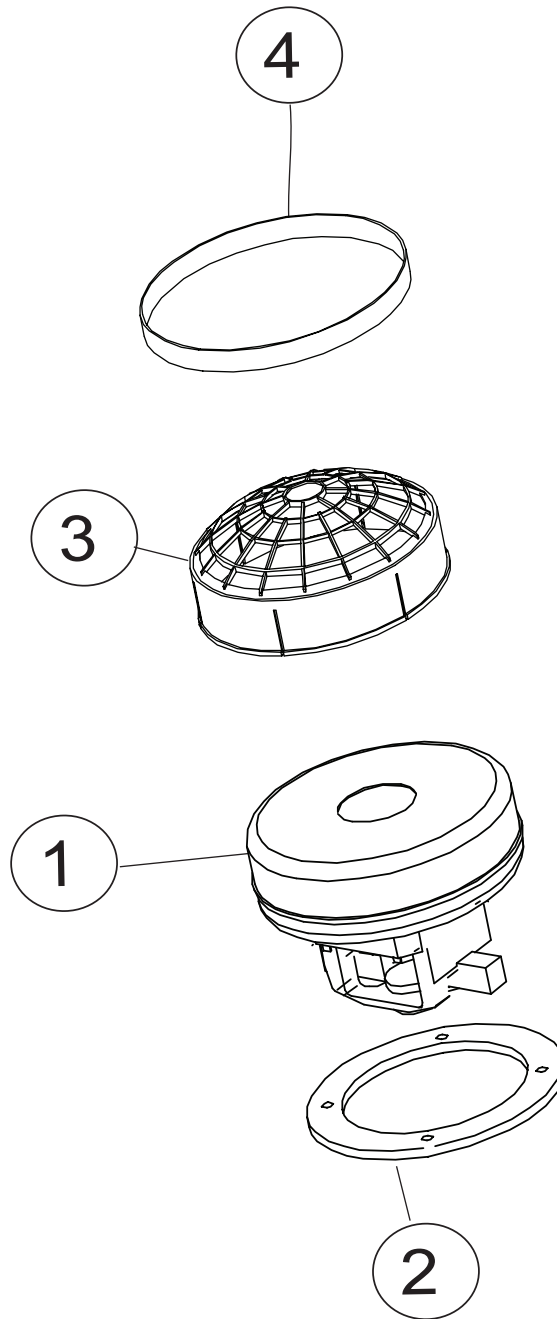
PF2030 Brush Motor



No.	Part No.	Qty	Description
1	32369	1	Brush Motor Assembly
2	19836	1	Brush Motor Mount
3	33061	1	25A Rectifier
4	33451	1	Screw 10-24 x 5/8"
5	33197	1	Motor 3.25 Dia. 1/4 hp
6	00086	2	Screw 1/4-20 x 1/2"
7	7CY002	2	Lock Washer
8	14142	1	Washer
9	19835	1	Brush Drive Motor Pulley
10	02011	1	Set Screw 1/4-20 x 5/16"
11	03660	1	Screw #10-24 x 7/16"
12	10892	3	Lock Nut
Not Shown	33503	1	Wiring Harness (Part of 32369 Motor Assembly)

SCHEMATICS - PARTS LISTS

PF2030 Vacuum Motor



No.	Part No.	Qty	Description
1	30092	2	Vacuum Motor
2	30090	2	Gasket
3	19834	2	Intake Filter
4	33107	2	Clamp
Not Shown	30620	8	Screw #10-16 x 3/4" (Motor mounting screws)

For warranty information go to www.Powr-Flite.com

Powr-Flite[®]

A Tacony Company

3101 Wichita Court • Fort Worth, TX 76140-1755

1-800-880-2913 • Fax: 1-817-551-0719