

Powr-Flite®

PARTS LIST

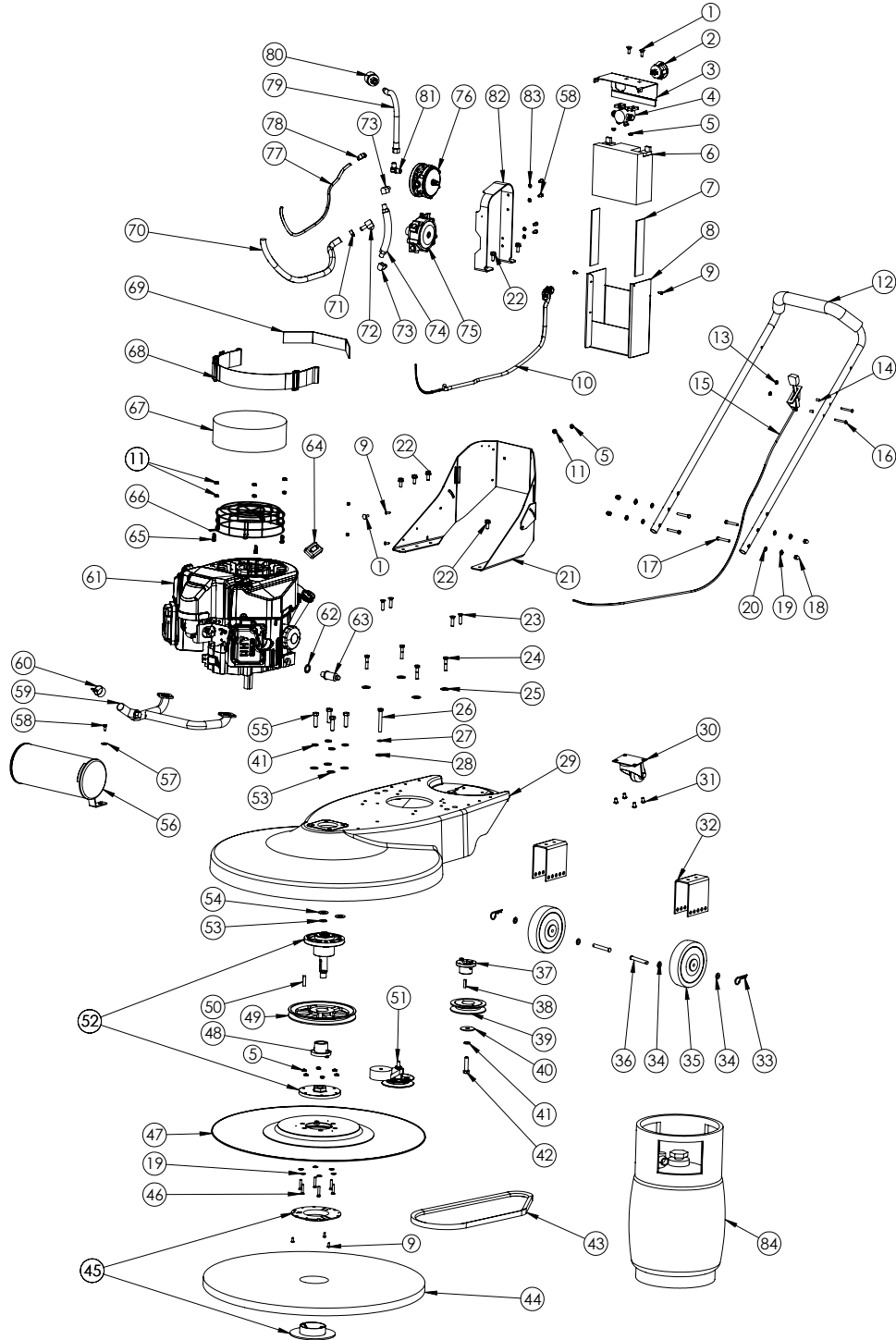
Propane Burnisher Model PB2817 & PB2817C



**WARNING: OPERATOR MUST READ AND UNDERSTAND THIS MANUAL
COMPLETELY BEFORE OPERATING THIS EQUIPMENT.**

SCHEMATICS - PARTS LISTS

PB2817 MAIN ASSEMBLY



SCHEMATICS - PARTS LISTS

No.	Part No.	Qty	Description
1	33489	3	Screw 1/4-20 x 3/4"
2	33486	1	Switch and Key
3	33483	1	Battery Box Cover
4	31453	1	12V Relay
5	2217	9	Nylock Nut
6	32401	1	Battery 12V 18Ah
7	30368	2	Battery Tray Felt
8	33482	1	Battery Box
9	10677	9	Screw #10 12 x 1/2"
10	33485	1	Wiring Harness
11	7CN001	7	Nut
12	33458	1	Handle Assembly
13	7BF030	2	Nyloc Nut
14	32405	2	Spacer
15	30394	1	Throttle Control w/Cable
16	15378	2	Screw #10 24 x 1-3/4"
17	18641	4	Screw 1/4 20 x 1-3/4"
18	17130	4	Acorn Nut
19	33490	10	Lock Washer
20	851	4	Washer
21	33464	1	Tank Holder
22	19196	6	Screw 5/16-18 x 3/4"
23	16069	4	Screw 5/16-18 x 1-1/4"
24	02-4323-0000	4	Bolt 3/8-16 x 1-1/4"
25	X8219	4	Washer
26	31127	1	Bolt 3/8-16 x 2-3/4"
27	3536	1	Lock Washer
28	2568	1	Washer
29	33454	1	Deck 28"
30	X1150	1	Swivel Caster 2-3/8" x 1-1/4"
31	33457	4	Screw 5/16-18 x 1/2"
32	33924	2	Wheel Bracket
33	30319	2	Cotter Pin
34	30316	4	Nylon Washer
35	30314	2	Wheel 6"
36	30315	2	Clevis Pin
37	32119	1	Bushing
38	30614	1	Square Key
39	32476	1	Engine Pulley
40	18666	1	Washer

SCHEMATICS - PARTS LISTS

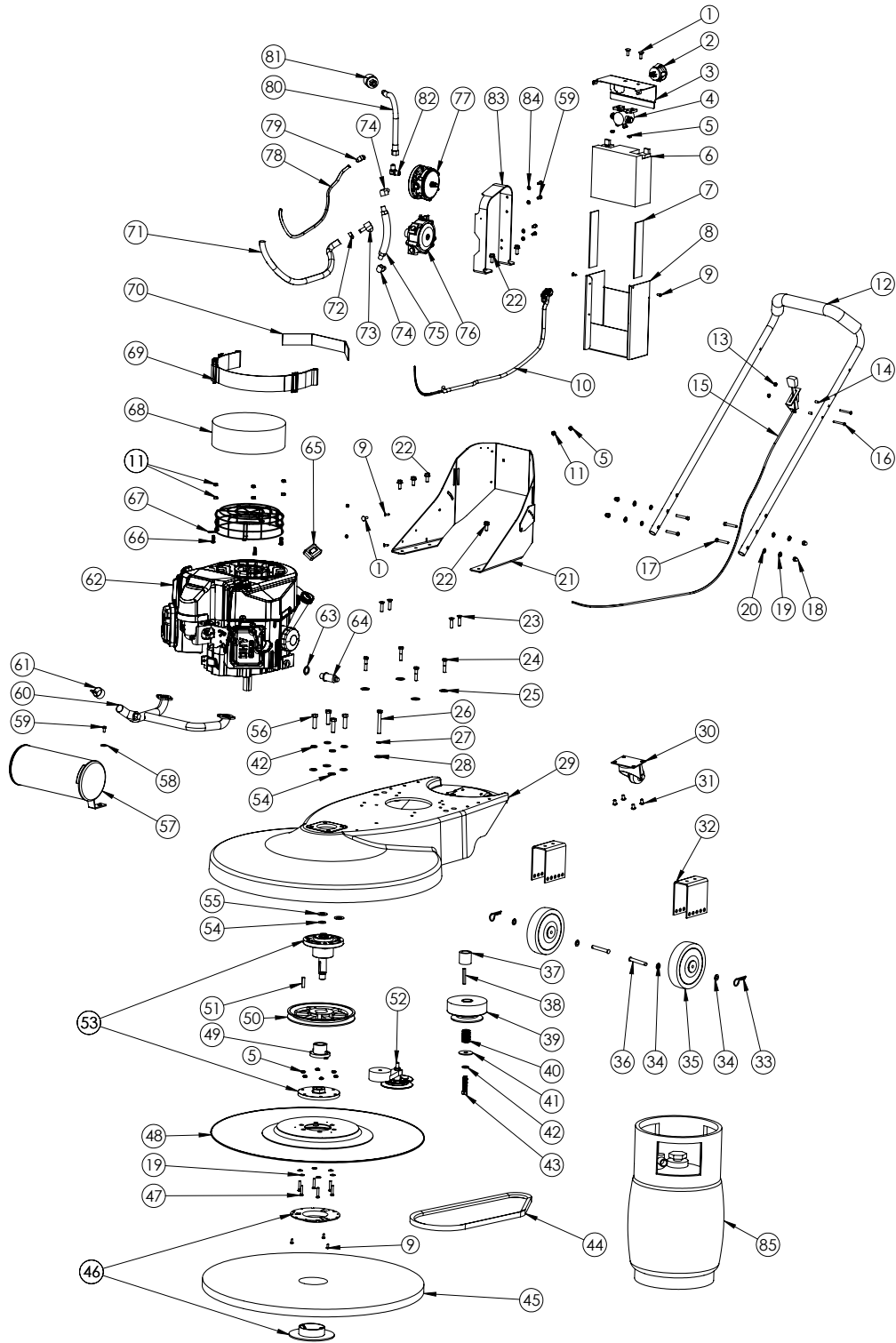
No.	Part No.	Qty	Description
41	30340	5	Lock Washer
42	30557	1	Screw 7/16-20 x 1-3/4"
43	31848	1	Drive Belt (B48)
44	CB0528	0.5	28" Combo Floor Pad (2 Per Case)
45	PB119	1	Center Lok II Pad Retainer
46	33461	6	Screw 1/4-20 x 1-1/4"
47	33950	1	Pad Driver w/Riser
48	30332	1	Bushing
49	30331	1	Brush Pulley
50	30609	1	Square Key
51	30662	1	Belt Tensioner Assembly
52	32208	1	Front End Assembly, Plastic
53	30335	5	Washer
54	19616	2	Washer
55	32482	4	Screw 7/16-14 x 1-1/2"
56	X9625	1	Catalytic Converter FS481V
57	X8235	1	Washer
58	19240	5	Screw 1/4- 20 x 1/2"
59	X9626	1	Exhaust Manifold
60	X9644	1	Clamp
61	322688	1	Kawasaki Engine 603 c.c.
62	32163	1	Plastic Washer
63	32149	1	Oil Drain Plug
64	30561	1	Hour Meter
65	X8268	3	Bolt 1/4-20 x 3/4"
66	X9636	1	Filter Cage
67	33887	1	Bonnet Filter
68	33466	1	Tank Strap
69	30377	1	Tank Felt
70	X9633	1	Fuel Hose 1/2" x 25"
71	7DL008	2	Hose Clamp
72	X9632	1	Brass Elbow 90 Deg. 3/8" NPT x 1/2" Barb
73	PC49	2	Brass Street Elbow 90 Deg. 1/4"
74	33922	1	7" Fuel Hose
75	32270	1	Fuel Pressure Regulator
76	31157	1	Fuel Lockout Valve
77	31162	1	Vacuum Hose 30-1/2"
78	31161	1	Elbow Fitting 1/8" NPT x 1/4" Barb
79	X9593	1	Hose, 20" Male/Female
80	31158	1	Tank Coupling

SCHEMATICS - PARTS LISTS

No.	Part No.	Qty	Description
81	32398	1	Brass Elbow Fitting 90 Deg. 1/8" x 1/4" NPT
82	33465	1	Valve Guard
83	7CY002	4	Lock Washer Internal Tooth
84	30396	1	Propane Tank

SCHEMATICS - PARTS LISTS

PB2817C MAIN ASSEMBLY



SCHEMATICS - PARTS LISTS

No.	Part No.	Qty	Description
1	33489	3	Screw 1/4-20 x 3/4"
2	33486	1	Switch and Key
3	33483	1	Battery Box Cover
4	31453	1	12V Relay
5	2217	9	Nylock Nut
6	32401	1	Battery 12V 18Ah
7	30368	2	Battery Tray Felt
8	33482	1	Battery Box
9	10677	9	Screw #10 12 x 1/2"
10	33485	1	Wiring Harness
11	7CN001	7	Nut
12	33458	1	Handle Assembly
13	7BF030	2	Nyloc Nut
14	32405	2	Spacer
15	30394	1	Throttle Control w/Cable
16	15378	2	Screw #10 24 x 1-3/4"
17	18641	4	Screw 1/4 20 x 1-3/4"
18	17130	4	Acorn Nut
19	33490	10	Lock Washer
20	851	4	Washer
21	33464	1	Tank Holder
22	19196	6	Screw 5/16-18 x 3/4"
23	16069	4	Screw 5/16-18 x 1-1/4"
24	02-4323-0000	4	Bolt 3/8-16 x 1-1/4"
25	X8219	4	Washer
26	31127	1	Bolt 3/8-16 x 2-3/4"
27	3536	1	Lock Washer
28	2568	1	Washer
29	33454	1	Deck 28"
30	X1150	1	Swivel Caster 2-3/8" x 1-1/4"
31	33457	4	Screw 5/16-18 x 1/2"
32	33924	2	Wheel Bracket
33	30319	2	Cotter Pin
34	30316	4	Nylon Washer
35	30314	2	Wheel 6"
36	30315	2	Clevis Pin
37	32119	1	Bushing
38	30614	1	Square Key
39	30714	1	Centrifugal Clutch
40	30550	1	Spring

SCHEMATICS - PARTS LISTS

No.	Part No.	Qty	Description
41	18666	1	Washer
42	30340	5	Lock Washer
43	32481	1	Screw 7/16-20 x 2"
44	31848	1	Drive Belt (B48)
45	CB0528	0.5	28" Combo Floor Pad (2 Per Case)
46	PB119	1	Center Lok II Pad Retainer
47	33461	6	Screw 1/4-20 x 1-1/4"
48	33950	1	Pad Driver w/Riser
49	30332	1	Bushing
50	30331	1	Brush Pulley
51	30609	1	Square Key
52	30662	1	Belt Tensioner Assembly
53	32208	1	Front End Assembly, Plastic
54	30335	5	Washer
55	19616	2	Washer
56	32482	4	Screw 7/16-14 x 1-1/2"
57	X9625	1	Catalytic Converter FS481V
58	X8235	1	Washer
59	19240	5	Screw 1/4- 20 x 1/2"
60	X9626	1	Exhaust Manifold
61	X9644	1	Clamp
62	322688	1	Kawasaki Engine 603 c.c.
63	32163	1	Plastic Washer
64	32149	1	Oil Drain Plug
65	30561	1	Hour Meter
66	X8268	3	Bolt 1/4-20 x 3/4"
67	X9636	1	Filter Cage
68	33887	1	Bonnet Filter
69	33466	1	Tank Strap
70	30377	1	Tank Felt
71	X9633	1	Fuel Hose 1/2" x 25"
72	7DL008	2	Hose Clamp
73	X9632	1	Brass Elbow 90 Deg. 3/8" NPT x 1/2" Barb
74	PC49	2	Brass Street Elbow 90 Deg. 1/4"
75	33922	1	7" Fuel Hose
76	32270	1	Fuel Pressure Regulator
77	31157	1	Fuel Lockout Valve
78	31162	1	Vacuum Hose 30-1/2"
79	31161	1	Elbow Fitting 1/8" NPT x 1/4" Barb
80	X9593	1	Hose, 20" Male/Female

SCHEMATICS - PARTS LISTS

No.	Part No.	Qty	Description
81	31158	1	Tank Coupling
82	32398	1	Brass Elbow Fitting 90 Deg. 1/8" x 1/4" NPT
83	33465	1	Valve Guard
84	7CY002	4	Lock Washer Internal Tooth
85	30396	1	Propane Tank

For warranty information go to www.Powr-Flite.com

Powr-Flite[®]

A Tacony Company

3101 Wichita Court • Fort Worth, TX 76140-1755
1-800-880-2913 • Fax: 1-817-551-0719