

# **Powr-Flite**<sup>®</sup>

## **PARTS LIST**

# **Predator Corded Automatic Scrubber**

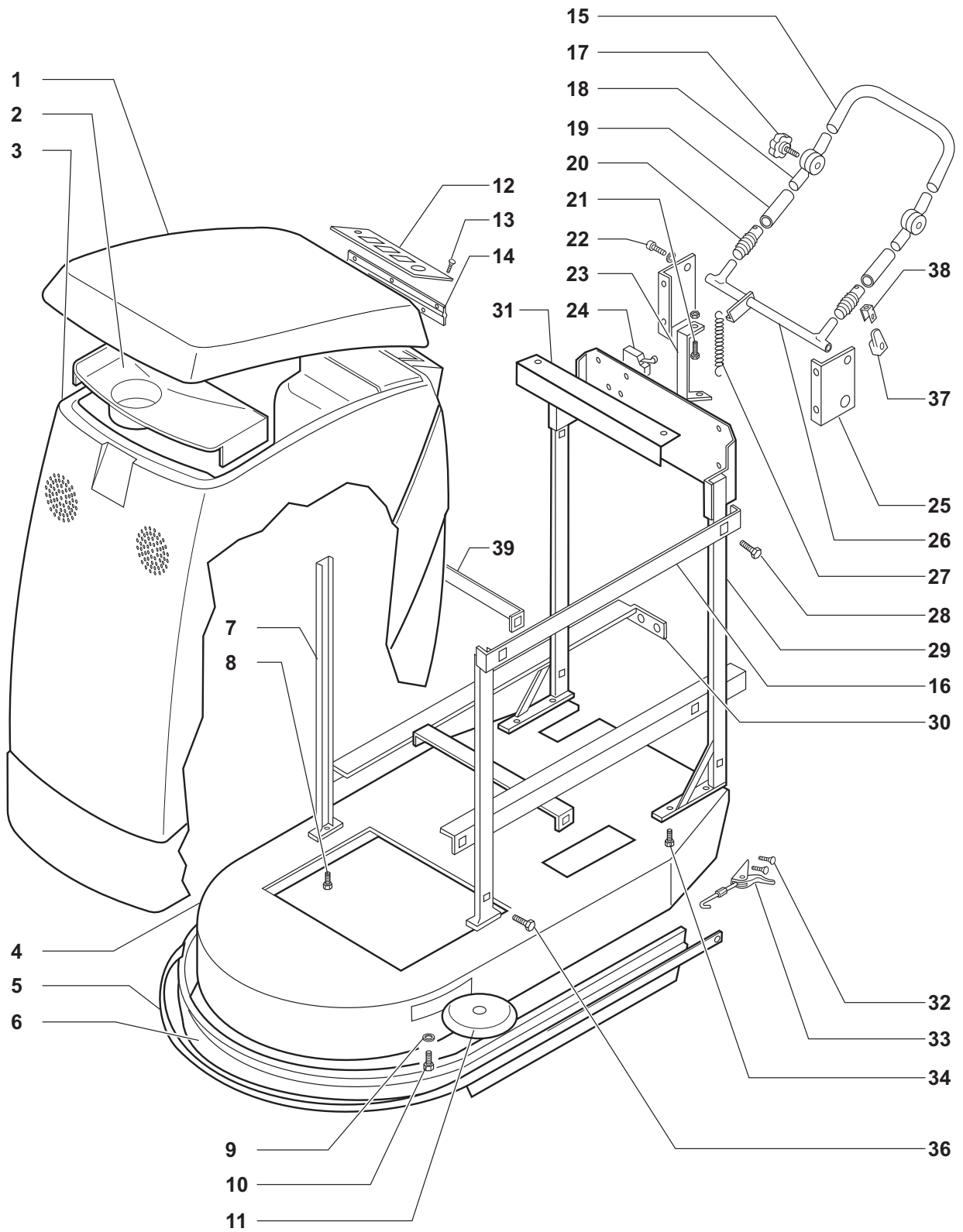
**Model: PAS20E**



**WARNING: OPERATOR MUST READ AND UNDERSTAND THIS MANUAL  
COMPLETELY BEFORE OPERATING THIS EQUIPMENT.**

**Save These Instructions**

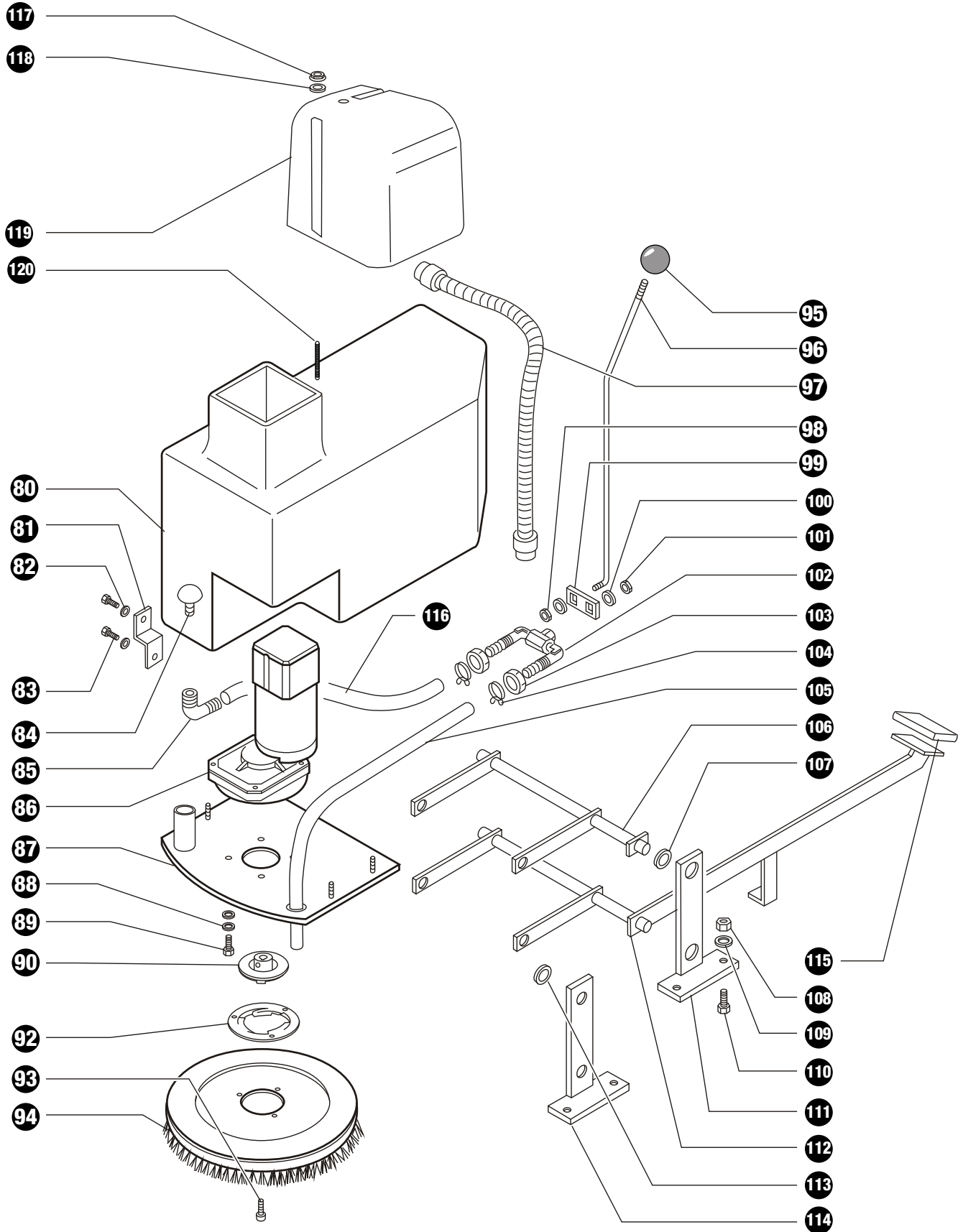
# PAS20E FRAME



## PAS20E FRAME

No.	Part No.	Qty	Description
1	PAS275	1	Cover
2	501.002.1	1	Funnel
3	501.003.1	1	Housing
4	PAS800	1	Frame
5	501.052	1	Bumper Strip
6	PAS2BA	1	Splash Guard
7	501.013	4	Frame Brace
8	PAS167	4	Screw
9	430.015	4	Washer
10	430.016	4	Screw
11	PAS1	1	Bumper Wheel
12	503.012	1	Control Panel
13	PAS153	2	Screw
14	PAS109	1	Hinge
15	430.323.2	1	Handle
16	501.022	2	Cross Member
17	PAS337	2	Knob
18	PAS339	2	Coupling
19	PAS338	2	Handle
20	PAS335	2	Bellows
21	501.027	2	Screw
22	PAS167	2	Screw Trans Support
23	501.028.1	2	Support
24	PAS56	1	Microswitch
25	501.033	2	Square
26	PAS158	1	Handle Lever
27	PAS329	1	Spring Handle
28	PAS147	2	M6 Bolt
29	501.038	1	Panel
30	431.042	2	Yoke
31	503.031	1	Support
32	PAS465	4	Screw
33	PAS122	1	Hook & Latch Assembly
34	PAS167	1	Screw Trans Support
36	PAS147	4	M6 Bolt
37	PAS267	1	Cord Holder
38	503.038	1	Yoke
39	501.023	1	Yoke

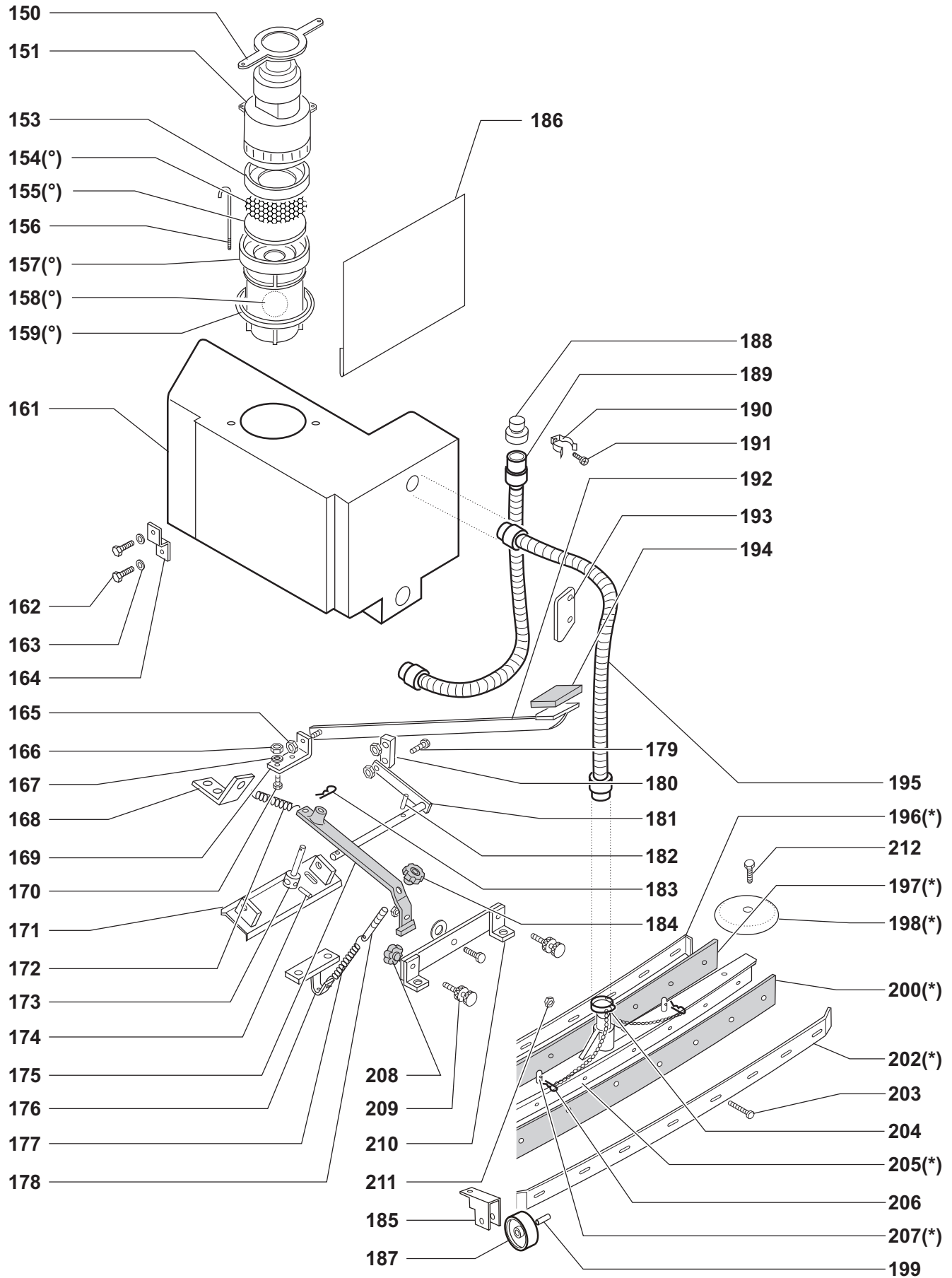
# PAS20E BRUSH HEAD



## PAS20E BRUSH HEAD

No.	Part No.	Qty	Description
80	501.087.1	1	Solution Tank
81	501.086	1	Plate
82	ER320	2	Washer
83	PAS147	2	M6 Bolt
84	PA53	1	Filter
85	PAS296	1	Hose Fitting
86	PAS305	1	Brush Motor and Gearbox
87	501.090	1	Plate
88	ER320	4	Washer
89	PAS162	4	Screw M16 x 12
90	PAS24	1	Coupling
92	PAS23	1	Spin On Clutch Plate
93	PAS111	1	Coupling Screw 5/16-20 x 1-3/8
94	500.171	1	Brush
94	500.171.1	1	Tynex Brush
94	500.171.2	1	Steel Brush
94	500.171.3	1	Vegetable Brush
94	500.178.3	1	Pad Holder
95	PAS11	1	Knob
96	PAS151	1	Rod
97	PAS288	1	Solution Hose 4'
98	PAS268	1	Split Pin
99	PAS269	1	Lever
100	PAS270	2	Washer
101	PAS271	1	Lever Nut
102	PAS12	1	Solution Valve
103	PAS262	2	Nut
104	PX42	2	Hose Clamp
105	PAS288	1	Solution Hose 4'
106	PAS204	1	Upper Lever
107	410.064	1	Washer
108	430.117	2	Nut
109	PAS188	2	Washer
110	PAS167	2	Screw
111	430.119	1	Support
112	PAS203	1	Lower Lever
113	410.063	1	Washer
114	PAS466	1	Nut
115	PAS14	1	Foot Pedal Cover
116	503.116	1	Pipe
117	PAS304	1	M6 Self Locking Nut
118	710.166	1	Washer
119	503.119	1	Cover
120	510.051	1	Tie Rod

# PAS20E SQUEEGEE and VACUUM MOTOR



## PAS20E SQUEEGEE and VACUUM MOTOR

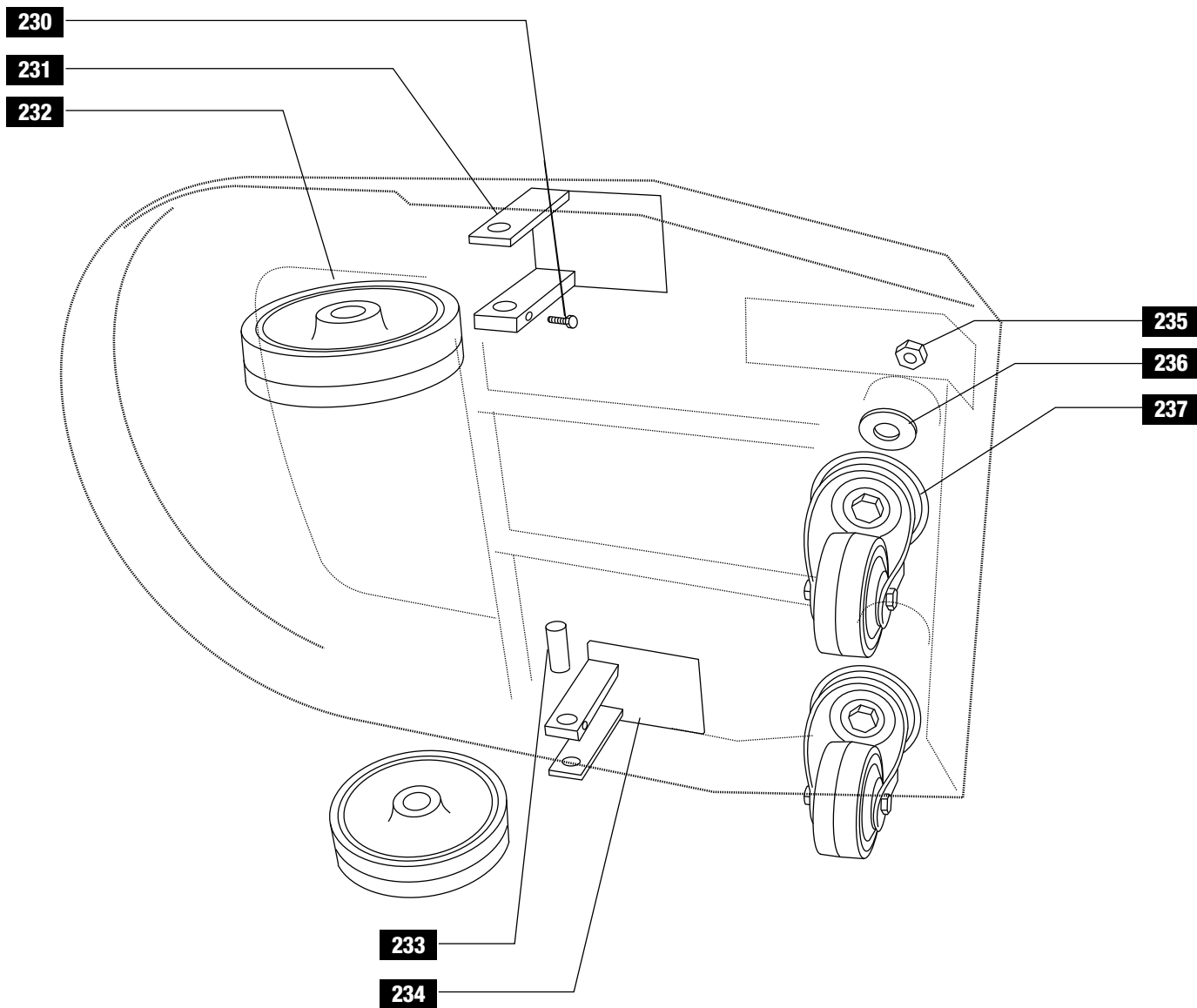
No.	Part No.	Qty	Description
(°)	PAS17	1	Float Assembly
150	PAS15	1	Motor Lock Ring
151	350.010.P	1	Suction Motor 120V
153	PAS102	1	Motor Gasket
154	06.169	1	Screen Filter
155	PAS107	1	Motor Support Filter
156	410.105.1	1	Tie Rod
157	500.068.E	1	Support
158	500.094	1	Float
159	PAS103	1	Float Seal
(*)	500.228.1		Complete Squeegee Assembly
161	503.161	1	Recovery Tank
162	PAS147	2	M6 Bolt
163	ER320	2	Washer
164	501.086	1	Plate
165	501.177	2	Nut
166	PAS189	1	Nut
167	PAS188	1	Washer
168	431.248	1	Angle Mounting
169	501.180	1	Angle Mounting
170	PAS167	1	Screw
171	501.184	1	Bracket
172	PAS329	1	Spring
173	PAS19	1	Squeegee Mount Pin
174	PAS197	1	Screw M6 x 45
175	PAS184	1	Lever
176	PAS403	1	Bracket
177	PAS329	1	Spring
178	PAS32	1	Tie rod w/Single Hole
179	PAS197	2	Screw M6 x 45
180	PAS265	1	Cross Member
181	PAS459	1	Squeegee Lever
182	PAS280	1	Roll Pin 6mm x 25mm
183	PAS266	1	Split Pin
184	PAS35	1	Squeegee Pressure Knob
185	510.204	2	Bracket
186	PAS105	1	Tank Plate
187	PAS379	2	Wheel
188	PAS36	1	Drain Hose Plug
189	PAS37	1	Drain Hose
190	PAS38	1	Hose Clip
191	PAS507	1	Screw
192	501.210	1	Pedal
193	PAS259	1	Brush Pedal Bracket
194	PAS14	1	Foot Pedal Cover
196	PAS192	1	Front Squeegee Retainer
197	PAS142	1	Front Squeegee Blade
198	PAS1	2	Bumper Wheel
199	PAS382	2	Spacer

## PAS20E SQUEEGEE and VACUUM MOTOR (Cont.)

No.	Part No.	Qty	Description
200	PAS116	1	Rear Squeegee Blade
202	PAS196	1	Rear Squeegee Blade Retainer
203	PAS197	8	Screw M6 x 45
204	PAS191A	1	Hose Clamp
205	PAS194	1	Squeegee Body
206	PAS266	2	Split Pin
207	PAS193	2	Pin w/Hole
208	PAS33	2	Wing Nut (Knob)
209	PAS34	2	Squeegee Regulator
210	503.210	1	Squeegee Mount
211	PAS149	1	Nut
212	PAS936	2	Screw M10 x 40

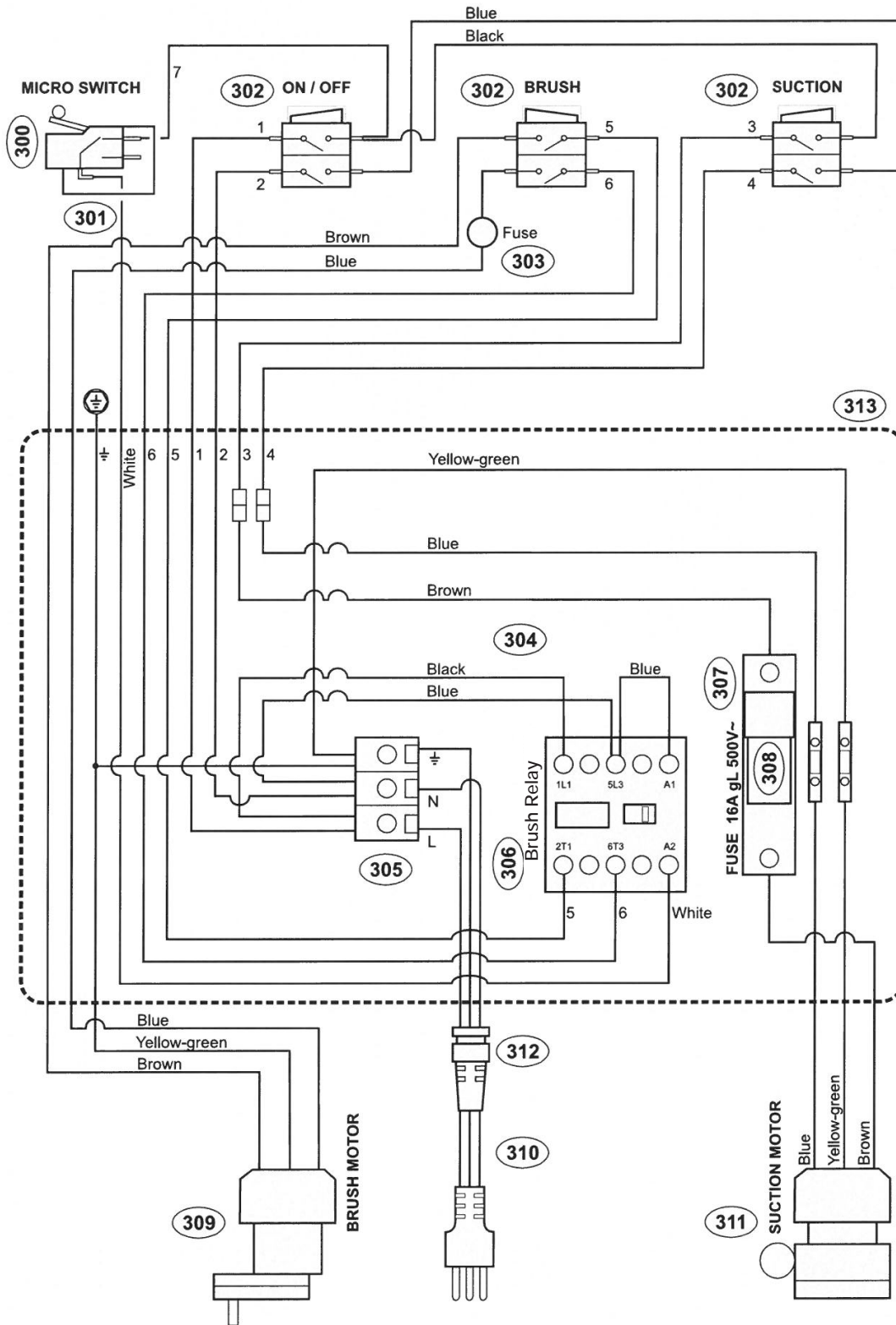


# PAS20E WHEEL ASSEMBLY



No.	Part No.	Qty	Description
230	PAS243	2	Screw Stainless
231	503.231	2	Support
232	350.168	2	Wheel
233	503.233	2	Pin
234	PAS321	2	Support
235	PAS207	2	Nut for caster - set, 1-large + 1-small
236	431.249	2	Washer
237	PAS51A	2	Castor, Swivel

# PAS20E ELECTRICAL



## PAS20E ELECTRICAL

<b>No.</b>	<b>Part No.</b>	<b>Qty</b>	<b>Description</b>
300	PAS56	1	Micro Switch
301	430.318.2	1	Micro Switch Cover
302	PAS125	3	Switch
303	410.188	1	Thermal Fuse 20A
305	PAS309	1	Connecting Board
306	503.306.P	1	Brush Relay
307	PAS954	1	Fuse Holder
308	PAS117	1	Fuse 16A
309	PAs305	1	Brush Motor
310	500.301	1	Cable
311	350.010P	1	Vacuum Motor 120V
312	PAS245	1	Strain Relief
313	503.313	1	IP55 Box

For warranty information go to [www.Powr-Flite.com](http://www.Powr-Flite.com)

***Powr-Flite***®

A Tacony Company  
3101 Wichita Court • Fort Worth, TX 76140-1755  
1-800-880-2913 • Fax: 1-817-551-0719