

Powr-Flite[®]

PARTS LIST

Predator Automatic Scrubber 20 Model PAS20DX

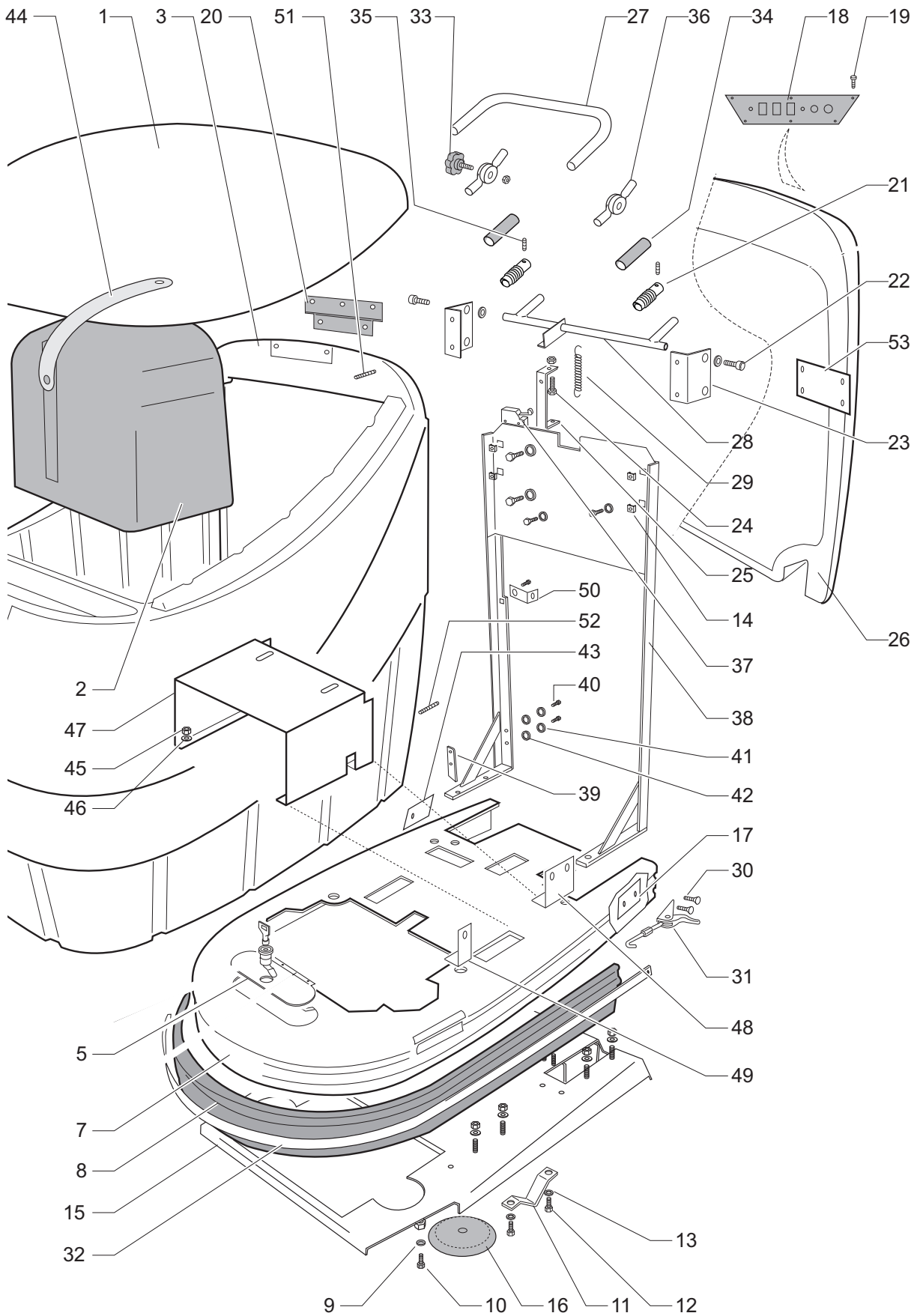


**WARNING: OPERATOR MUST READ AND UNDERSTAND THIS MANUAL
COMPLETELY BEFORE OPERATING THIS EQUIPMENT.**

Save These Instructions

SCHEMATICS - PARTS LISTS

PAS20DX FRAME ASSEMBLY



SCHEMATICS - PARTS LISTS

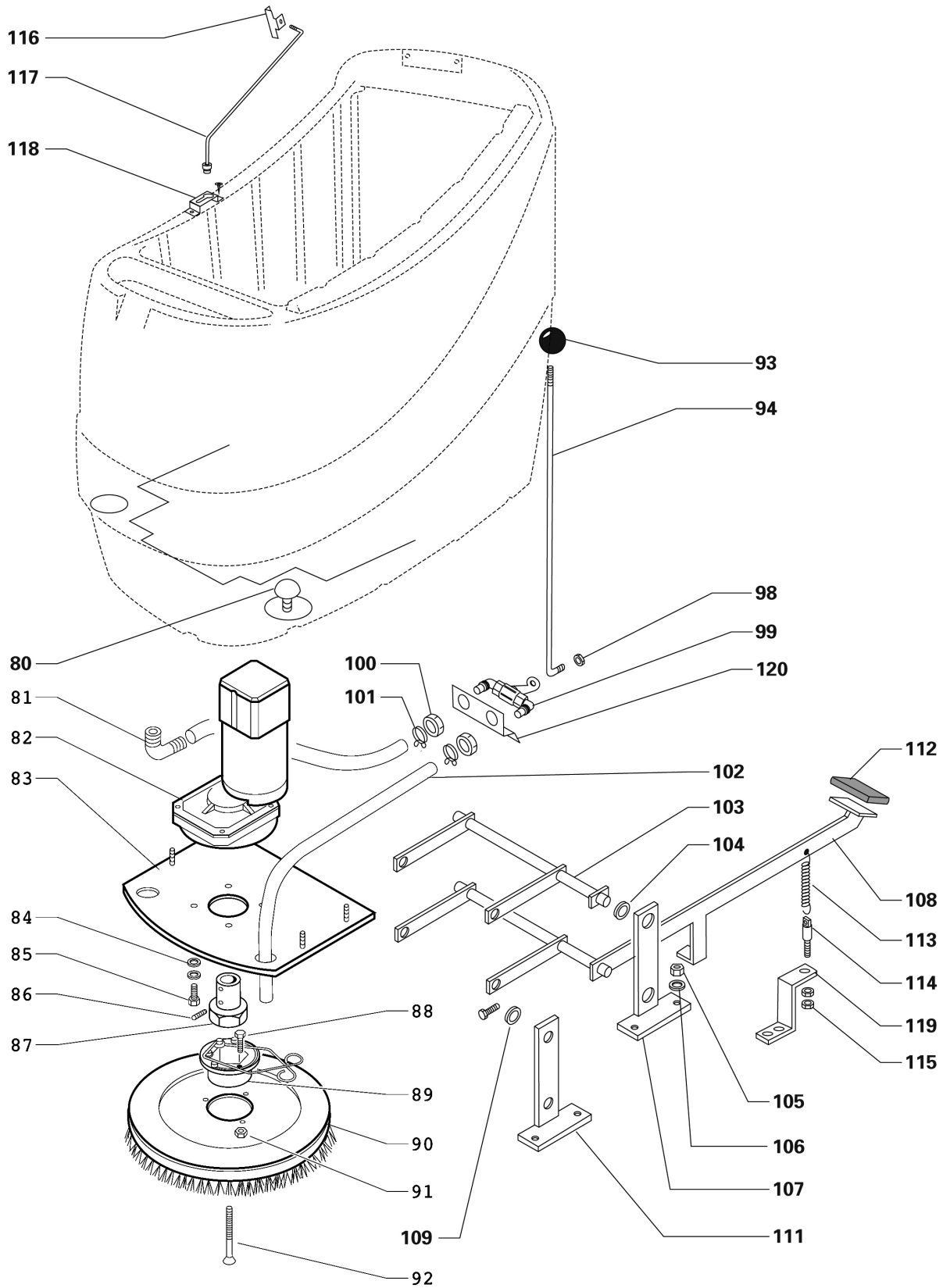
No.	Part No.	Qty	Description
1	PAS462	1	Cover
2	510.002	1	Suction Motor Cover
3	510.003	1	Tank
5	PAS482	1	Cover, Hinge, and Button
7	510.007	1	Housing
8	PAS921	1	Splash Guard
9	PAS157	10	Washer
10	PAS223	10	Screw
11	510.011	2	Bracket
12	PAS167	2	Screw
13	PAS188	2	Washer
14	PAS466	1	Cage Nut
15	PAS468	1	Frame
16	PAS1	1	Bumper Wheel
17	PAS274	1	Plate
18	PAS493	1	Control Panel
	PAS295	1	Reverse Switch
	PAS54	1	Bush Switch
	PAS54	1	Vacuum Switch
	PAS56	1	Speed Control
	PAS53NS	1	Key Switch & Key
	PAS53K	1	Key ONLY
	PAS52N	1	Battery Level Indicator
19	PAS153	6	Screw
20	510.020	1	Hinge
21	PAS335	2	Bellows
22	PAS167	4	Screw
23	501.033	2	Angle Bracket
24	501.027	1	Screw
25	501.028.1	1	Support
26	510.026.1	1	Panel
27	PAS159A	1	Handle
28	PAS209	1	Lever
29	PAS329	1	Spring
30	PAS926		Screw
31	PAS122		Hook and Latch Assembly
32	PAS919		Strap
33	PAS337		Knob
34	PAS338		Handle
35	PAS148		Set Screw M8 x 25

SCHEMATICS - PARTS LISTS

No.	Part No.	Qty	Description
36	PAS339		Coupling
37	PAS56		Micro
38	510.038		Panel
39	PAS259		Brush Pedal Bracket
40	430.107		Screw
41	ER320		Washer
42	PAS208		Washer
43	510.043		Plate
44	PAS484		Rubber Strap
45	PAS176		Nut
46	PAS188		Washer
47	510.047		Support
48	510.048		Bracket
49	510.049		Bracket
50	510.050		Plate
51	510.051		Pin
52	510.052		Pin
53	PAS504		Fuse Panel Cover

SCHEMATICS - PARTS LISTS

PAS20DX BRUSH ASSEMBLY

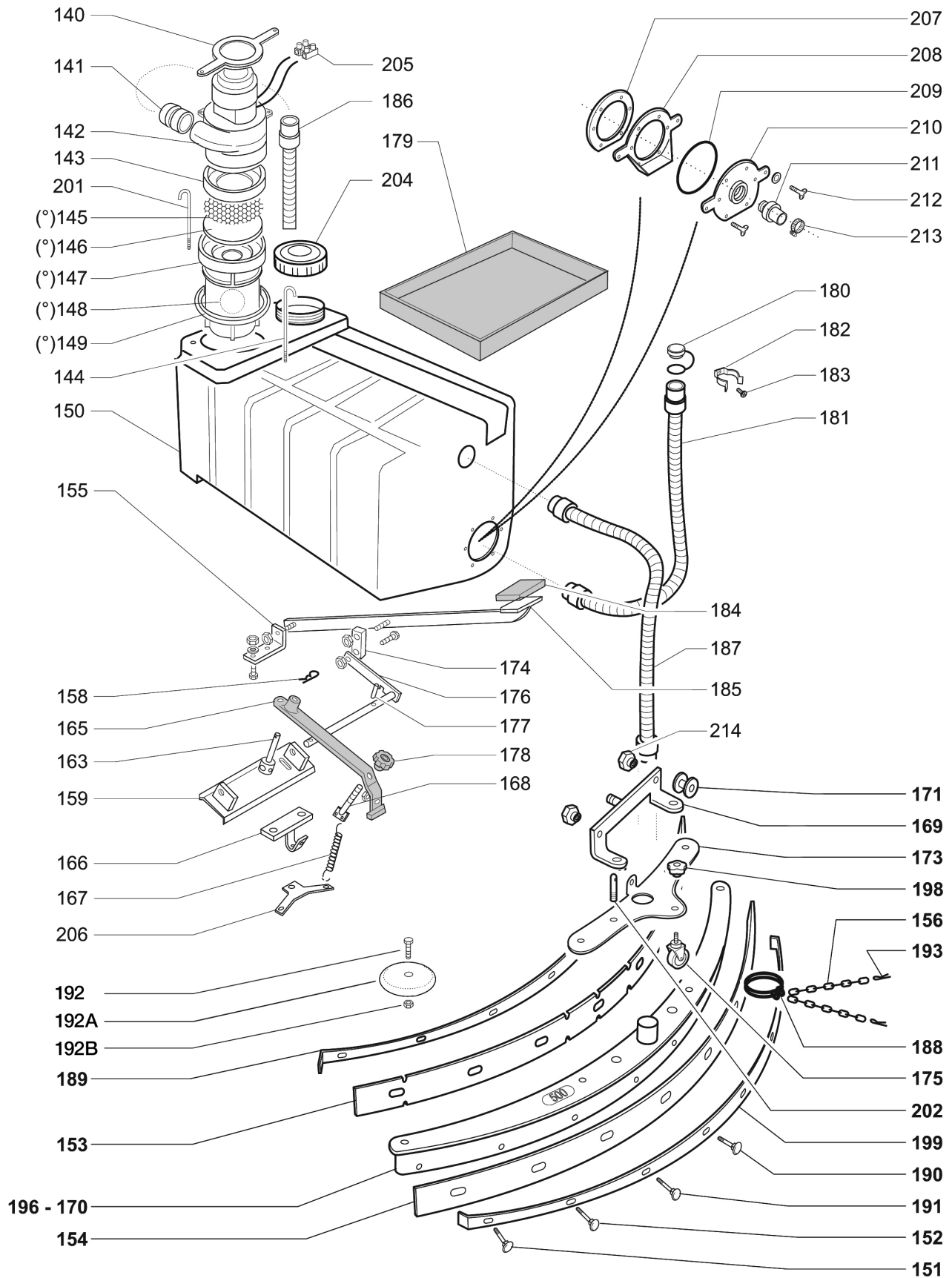


SCHEMATICS - PARTS LISTS

No.	Part No.	Qty	Description
80	PAS3	1	Filter
81	PAS296	1	Hose Fitting
82	PAS4	1	Reducer Motor
83	510.083	4	Plate
84	ER320	4	Washer
85	PAS162	4	Screw
86	PAS101	1	Tang
87	PAS5	1	Coupling
88	PAS162	3	Screw
89	PAS6	1	Flange
	PAS7	1	Flange Spring
90	PAS8	1	Poly Brush
90	PAS132	1	Strata Grit Brush
90	PAS95	1	Scrub Grit li
90	PAS109	1	Pad Driver
90	PAS135	1	Powr-Scuff
91	PAS149	3	Nut
92	PAS111	3	Screw
93	PAS11	1	Knob
94	510.094	1	Rod
98	PAS304	1	Nut
99	PAS12	1	Valve Assembly
100	PAS262	2	Nut
101	PX42	2	Hose Clamp
102	PAS288	1	Hose
103	PAS204	2	Lever
104	PFS0016	2	Nylon Washer
105	PAS176	4	Nut
106	PAS188	4	Washer
107	430.119	2	Support
108	PAS317	1	Pedal Lever
109	PFA0016	2	Nylon Washer
111	PAS249	2	Support
112	PAS14	1	Pedal Cover
113	PAS230	1	Spring
114	PAS63	1	Tie Rod
115	PAS176	1	Nut
116	PAS261	1	Plate
117	PAS347	1	Rod
	PAS359	1	Clip for Rod
118	PAS344	1	Plate
119	510.119	1	Bracket
120	510.301	1	Support

SCHEMATICS - PARTS LISTS

PAS20DX TANK and SQUEEGEE ASSEMBLY



SCHEMATICS - PARTS LISTS

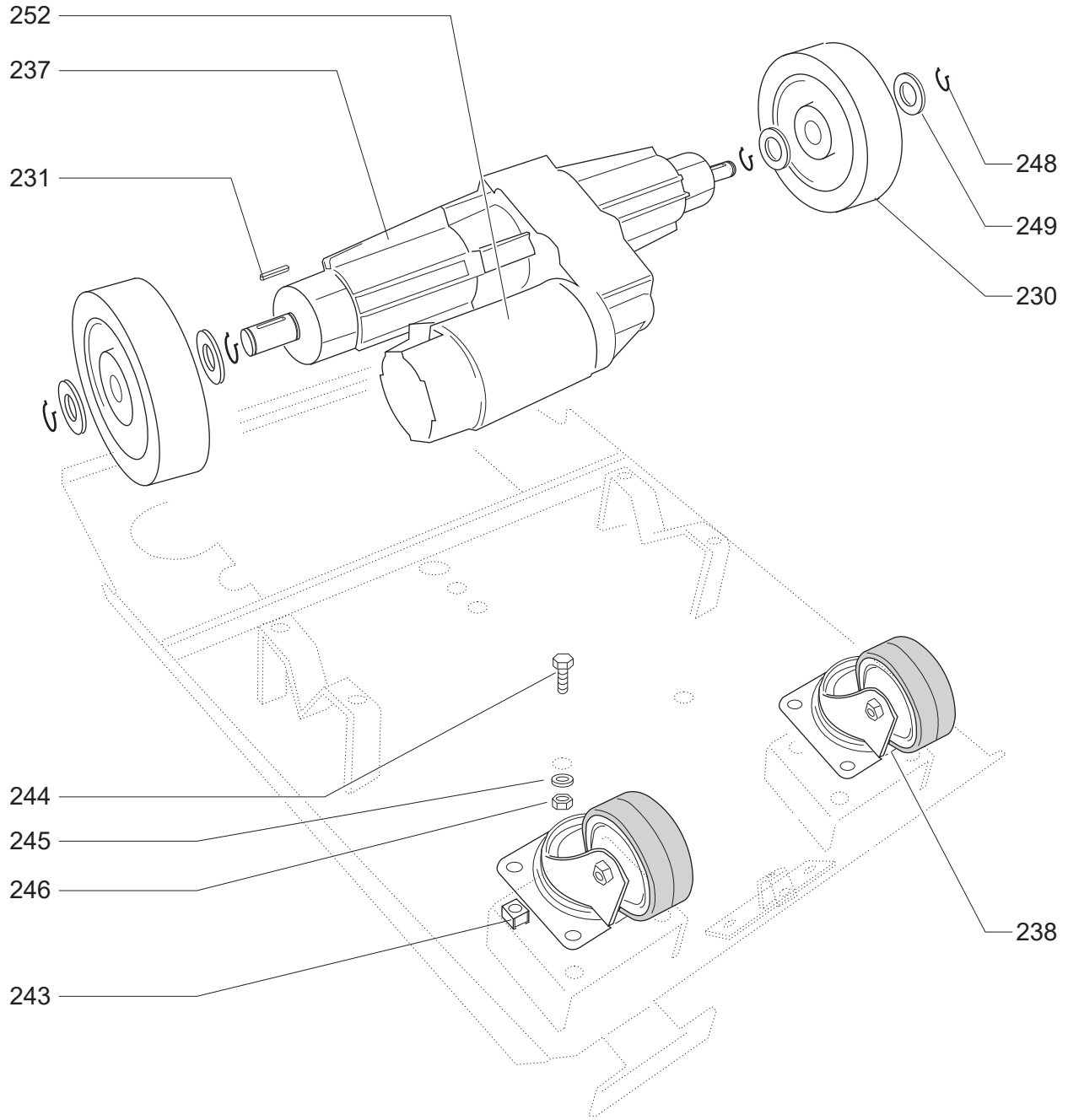
No.	Part No.	Qty	Description
(°)	PAS17	1	Complete Float Level
140	PAS15	1	Motor Lock Ring
141	PAS330	1	Sleeve
142	1995BS	1	Vacuum Motor
143	PAS102	1	Seal
144	410.105.1	1	Hook
145	PAS79	1	Screen
146	PAS107	1	Foam Filter
147	500.068	1	Support
148	500.094	1	Float
149	PAS103	1	Seal
150	510.150.1	1	Tank
151	PFS0081	2	Screw M6 x 50
152	PFS0081	2	Screw M6 x 50
153	PFS0085	1	Front Squeegee Rubber
	PAS457A		Front Squeegee Rubber (Old)
154	PFS0080	1	Rear Squeegee Rubber
155	501.18	1	Angle Mounting
	PAS458A		Rear Squeegee Rubber (Old)
156	PAS2074	1	Chain
	PAS41	AR	Chain and Cotter Pins
158	PAS266	2	Cotter Pin
159	510.159	1	Yoke
163	PAS19	1	Pin
165	PAS184	1	Lever
166	PAS403	1	Bracket
167	PAS235	1	Spring
168	510.168	1	Tie Rod
169	PAS404	1	Support
170	PAS610	1	Complete Squeegee
171	PAS34	2	Regulator
173	505.132	1	Support
174	PAS265	1	Cross Member
175	701.291	1	Wheel
176	PAS459	1	Squeegee Lever
177	PAS280	1	Roll Pin
178	PAS35	1	Knob
179	510.179	1	Battery Tray
180	PAS36	1	Drain Plug

SCHEMATICS - PARTS LISTS

No.	Part No.	Qty	Description
181	PAS37	1	Hose
182	PAS2069	1	Hose Clip
183	PAS507	1	Screw
184	PAS14	1	Pedal Cover
185	PAS440	1	Pedal
186	PAS37	1	Hose
187	PAS2013	1	Squeegee Hose
188	PAS2075	1	Hose Clamp
189	PAS2066	1	Front Retainer Strip
190	505.608	1	Screw
191	505.607	1	Screw
192	505.607	2	Screw
192A	PAS1	2	Buffer Wheel
192B	700.124	2	Nut
193	PAS959	2	Cotter Pin
196	PAS2068	1	Squeegee Body
198	701.292	1	Knob
199	PAS2079	1	Rear Retainer Strip
201	410.105.1	1	Hook
202	PAS2077	2	Pin
204	PFS0064	1	Cap
205	510.205	1	Terminal Block
206	510.206	1	Support
207	PAS70	1	Gasket
208	PAS71	1	Flange
209	PAS72	1	Gasket
210	PAS73	1	Flange
211	PAS393	1	Hose Fitting
212	PAS936	2	Screw
213	PAS2072	1	Hose Clamp
Not Shown	33783	8	Squeegee Butterfly Nut

SCHEMATICS - PARTS LISTS

PAS20DX WHEELS



SCHEMATICS - PARTS LISTS

No.	Part No.	Qty	Description
230	PAS44A	2	Wheel 6"
231	PAS351	2	Square Key
237	510.237	1	Motor
238	PAS51	2	Swivel Castor
243	850.033	8	Nut Clip
244	PAS167	8	Screw
245	PAS188	8	Washer
246	PAS176	8	Nut
248	PAS491	4	Ring
249	PAS356	4	Washer
252	PAS276		Motor Amer
252	510.237.M		Motor Movim.

PAS20DX DRIVE MOTORS



PAS276

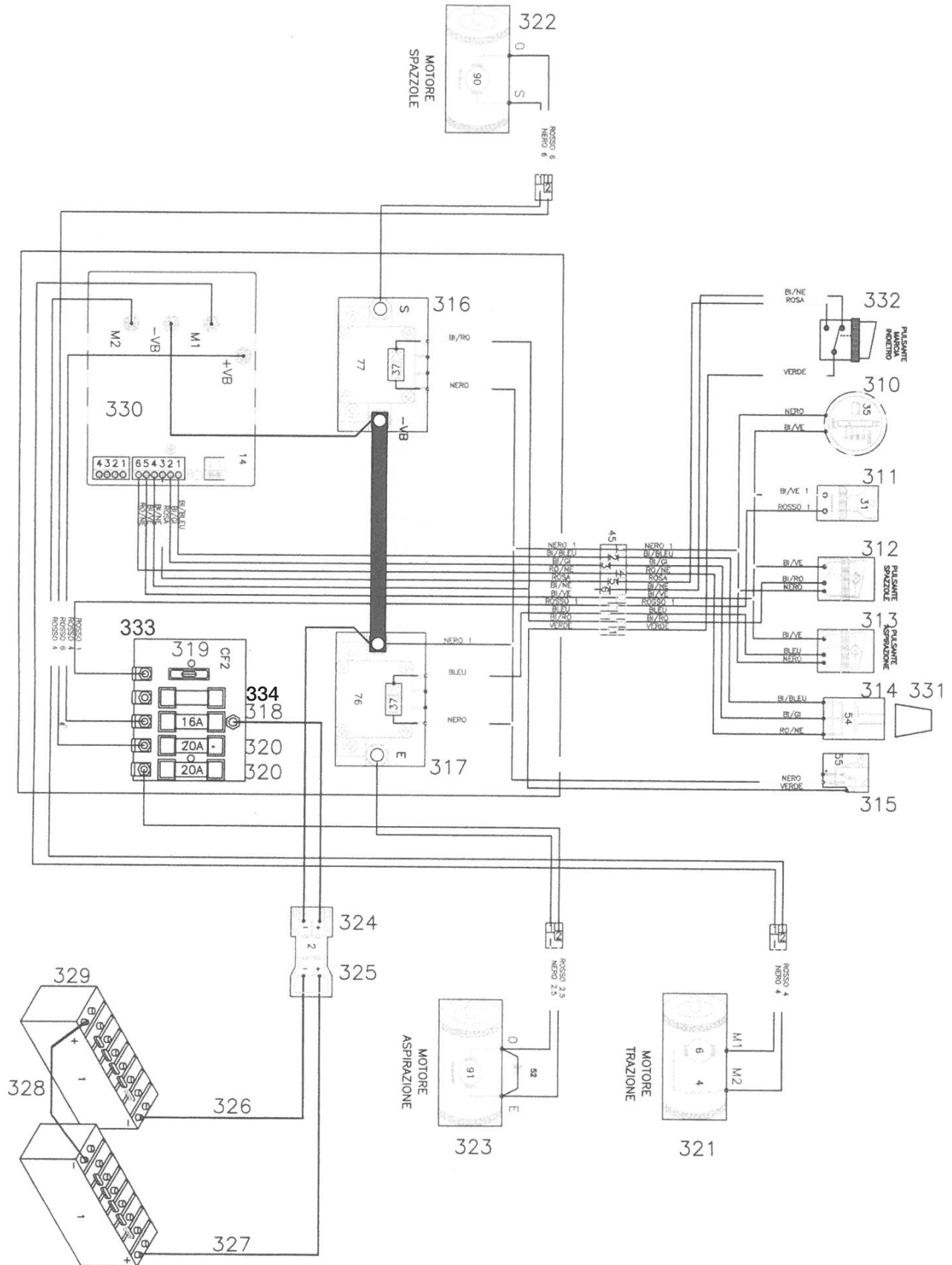
510.237.1



510.237.M

SCHEMATICS - PARTS LISTS

PAS20DX ELECTRICAL LAYOUT



SCHEMATICS - PARTS LISTS

No.	Part No.	Qty	Description
310	PAS52N	1	Battery Status Light
311	PAS53NS	1	Key Switch
312	PAS54	1	Brush Switch
313	PAS54	1	Vacuum Switch
314	PAS55	1	Potentiometer
315	PAS56	1	Microswitch
316	PAS57	1	Brush Remote Switch
317	PAS57	1	Vacuum Remote Switch
318	PAS117	1	Fuse 16A
319	PFS0095	1	Fuse 10A
320	PAS118	2	Fuse 20A
321	510.237	1	Motor
322	PAS4	1	Reducer Motor
323	1924	1	Vacuum Motor
324	PAS59R	1	Connection
325	PAS59R	1	Connection
326	500.263	1	Cable
327	500.266	1	Cable
328	PAS141	1	Bridge
329	B27TMX	2	Battery
330	PAS294	1	Electronic Card
331	PAS88	1	Knob
332	PAS295	1	Reverse Running Push Button
333	PAS353	1	Fuse Socket
334	PAS119	1	Fuse 6.3A

For warranty information go to www.Powr-Flite.com

Powr-Flite[®]

A Tacony Company

3101 Wichita Court • Fort Worth, TX 76140-1755

1-800-880-2913 • Fax: 1-817-551-0719