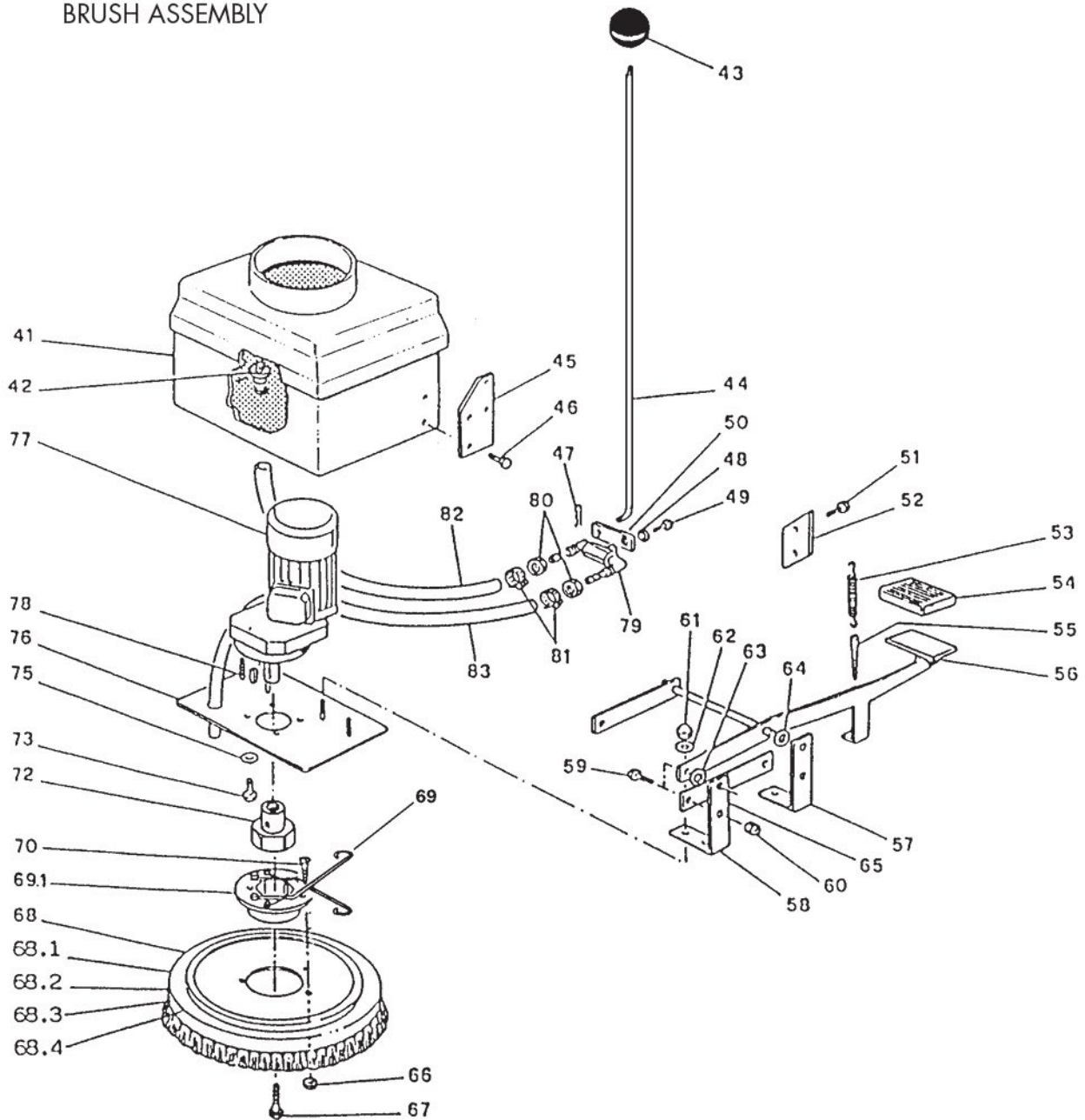


ref #	item #	description
1	PAS242	cover
2	PAS260	cover
3	410.003	housing
4	PAS311	cover nut 6mm
5	PAS304	m6 self locking nut
6	PAS312	cover washer
7	PAS125	switch
8	PAS153	screw, hinge stainless
9	PAS306	control panel
10	PAS245	strain relief
11	M1400	cord 14/3 sjtw 75' yellow
12	500.158	washer
13	410.013	screw stainless
14	PAS197	m6 x 45 hex head screw
15	PAS311	cover nut 6mm
16	PAS476	support

ref #	item #	description
18	PAS126	wheel
19	400.050	screw 6mm
20	PAS154	pin
21	PAS252	back frame
22	410.022	screw
23	PAS211	bumper strap
24	PAS128	splash guard
25	PAS18	spring handle
26	PAS32	tie rod
28	PAS127	caster
30	PAS311	cover nut 6mm
31	PAS250	brush housing bottom unit
32	PAS243	screw stainless
33	PAS303	hinge
34	400.146	block for handle
35	PAS267	cable guide
36	PAS122	hook & latch assembly

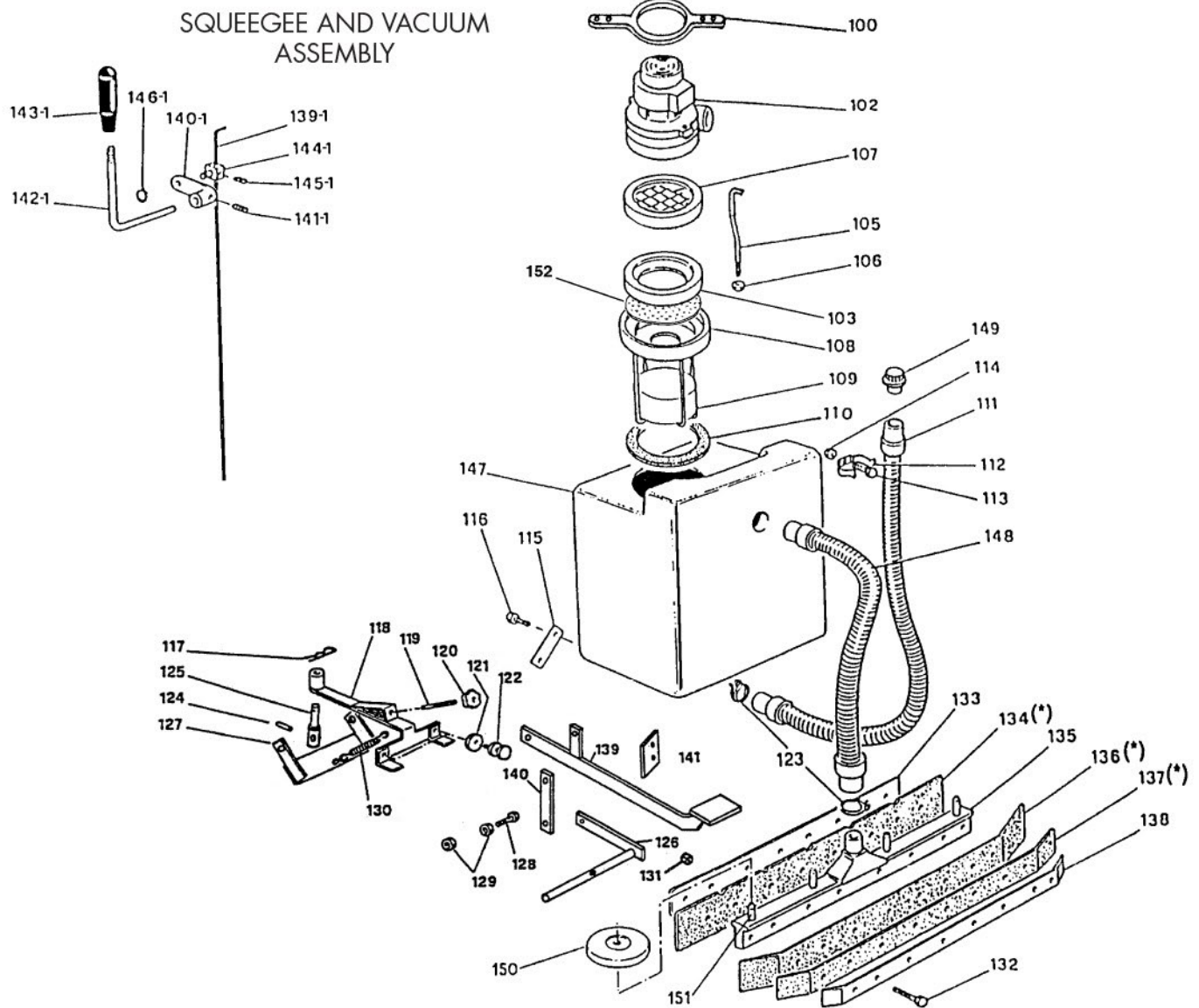
\*call for pricing and availability of all referenced parts

BRUSH ASSEMBLY



ref #	item #	description
138	PAS497	back outer bar squeegee
139	410.139	pedal
139.1	PAS129	cable
140	PAS308	connecting plate
140.1	PAS308	connecting plate
141	PAS259	bracket for brush pedal
141.1	PAS313	pivot block
142.1	PAS479	lever for squeegee
143.1	400.127	knob
144.1	400.148	pivot block
145.1	430.156	dowel
146.1	430.159	seeger, clamp
147	PAS26	recovery tank
148	PAS37	hose drain
149	PAS36	plug drain hose
150	PAS51	caster swivel
151	PAS193	support stud
152	F940	foam filter

\*call for pricing and availability of all referenced parts



ref #	item #	description
41	PAS134	15" power scuff brush
42	PAS3	filter
43	PAS11	knob
44	410.044	rod
45	410.045	plate
46	PAS147	m6 bolt
47	PAS268	split pin
48	500.062	washer
49	PAS271	lever nut
50	PAS269	lever
51	431.065	screw 6mm
52	PAS258	bracket for squeegee
53	PAS329	spring for pressure brush
54	PAS147	m6 bolt
55	PAS63	pin/tie rod
56	410.056	lever
57	410.057	bracket
58	410.058	bracket
59	PAS167	screw brake
60	PAS254	m8 self locking nut
61	PAS254	m8 self locking nut
62	PAS188	washer
63	410.063	washer
64	410.064	washer

ref #	item #	description
65	410.065	support
66	PAS311	cover nut 6mm
67	PAS167	screw brake
68	PAS97	poly stiff scrub brush 15"
68.1	PAS99	brush nylon grit 15"
68.2	PAS131	brush strata grit 15"
68.3	PAS134	15" power scuff brush
68.4	PAS98	brush scrub grit II 15"
69.1	PAS6	spring w/support
70	PAS65	pressure regulator squeegee
71	PAS162	screw m16 x 12
72	PAS5	coupling half
73	PAS162	screw m16 x 12
74	430.071	washer
75	PAS65	pressure regulator squeegee
76	410.076	plate
77	PAS305-2	geared motor for 220v
77	PAS305	geared motor
78	PAS167	screw brake
79	PAS12	solution valve
80	PAS262	nut 3/8"
81	PAS42	bearings
82	PAS288	solution hose 4'
83	PAS288	solution hose 4'

\*call for pricing and availability of all referenced parts