

Powr-Flite®

PARTS LIST

Automatic Scrubber Model: PAS14G (2019 Onward)

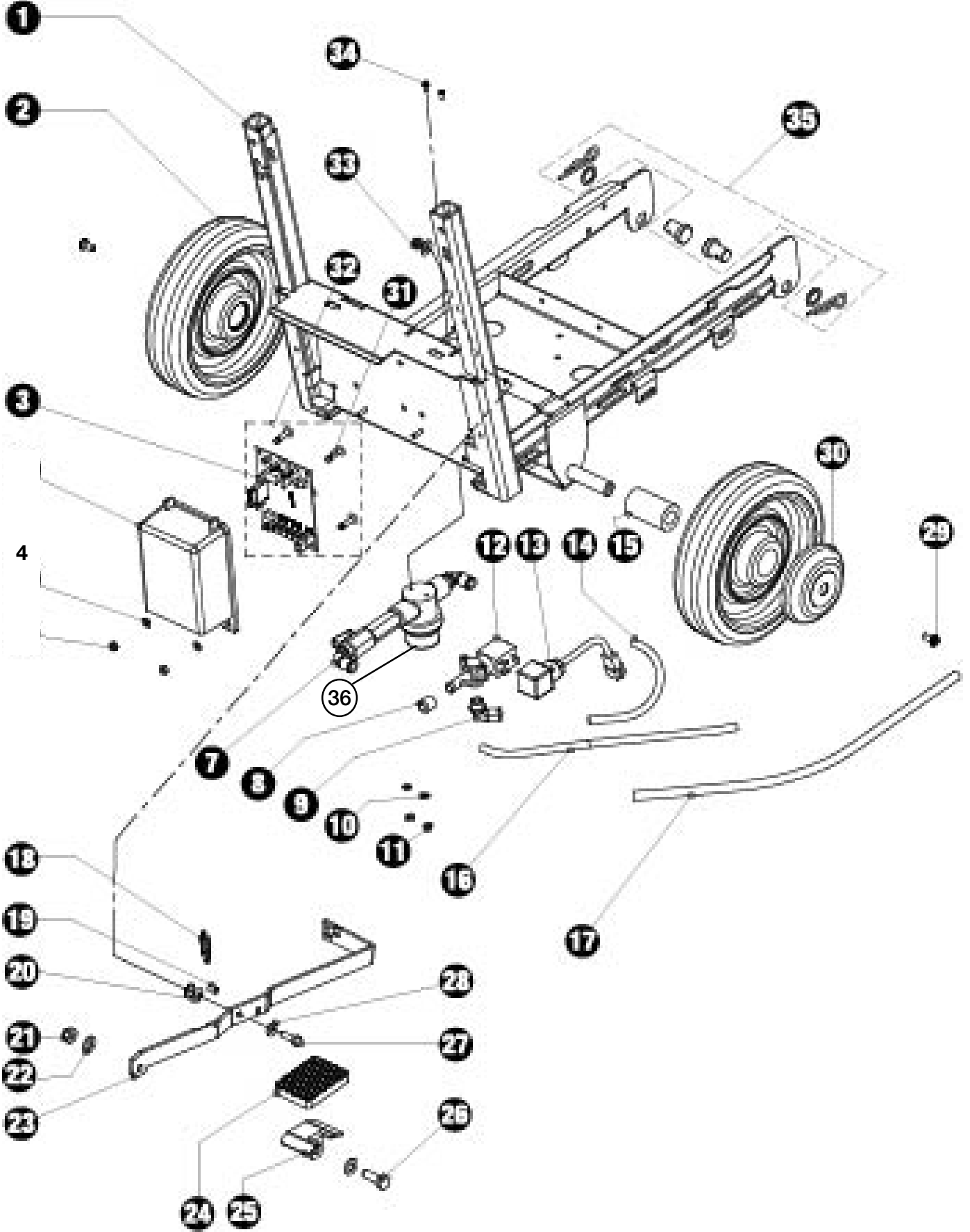


WARNING: OPERATOR MUST READ AND UNDERSTAND THIS MANUAL COMPLETELY BEFORE OPERATING THIS EQUIPMENT.

Save These Instructions

SCHEMATICS - PARTS LISTS

PAS14G 2019 ONWARD FRAME



SCHEMATICS - PARTS LISTS

PAS14G 2019 ONWARD FRAME

| No. | Part No. | Qty | Description |
|-----------|------------|-----|---------------------------------------------|
| 1 | 25.0393.00 | 1 | Frame |
| 2 | 28.0027.00 | 2 | Wheel |
| 3 | 34.0565.00 | 1 | Electronic Board |
| 4 | 24.0224.00 | 1 | Electronics Board Cover Kit |
| 7 | | 1 | Solution Valve P/O Hose Connector Kit |
| 8 | | 1 | Cap P/O Solenoid Valve Kit |
| 9 | | 1 | Connector P/O Hose Connector Kit |
| 10 | | 2 | Washer P/O Solenoid Valve Kit |
| 11 | | 2 | Nut P/O Solenoid Valve Kit |
| 12 | 30.0127.00 | 1 | Solenoid Valve Kit |
| 13 | 34.0126.00 | 1 | Solenoid Valve Cable |
| 14 | | 1 | Hose L= 7" (175mm) P/O Solution Hose Kit |
| 15 | 33.0077.00 | 2 | Wheel Spacer |
| 16 | | 1 | Hose L=14.2" (360mm) P/O Solution Hose Kit |
| 17 | | 1 | Hose L=20.5" (520 mm) P/O Solution Hose Kit |
| 18 | 31.0011.00 | 1 | Spring |
| 19 | 30.0214.00 | 1 | Stopper |
| 20 | 23.0196.00 | 2 | Cup Spring |
| 21 | 23.0027.00 | 1 | Nut |
| 22 | 23.0009.00 | 2 | Washer |
| 23 | 25.0377.00 | 1 | Squeegee Lifting Arm |
| 24 | 39.0012.00 | 1 | Pedal Cover |
| 25 | 25.0360.00 | 1 | Pedal |
| 26 | 23.0091.00 | 1 | Screw |
| 27 | 23.0016.00 | 1 | Screw |
| 28 | 23.0017.00 | 2 | Washer |
| 29 | 23.0018.00 | 2 | Screw |
| 30 | 50.0050.00 | 2 | Washer |
| 31 | 34.0127.00 | 4 | Spacer |
| 32 | 96.0130.00 | 1 | Electronic Board Kit |
| 33 | 23.0209.00 | 1 | Nut |
| 34 | 23.0163.00 | 1 | Screw |
| 35 | 95.0027.00 | 1 | Complete Brush cover Mounting Kit |
| 36 | 95.0030.00 | 1 | Solution Filter Kit |
| Not Shown | 34.0031.00 | 1 | 30A Fuse |
| Not Shown | 95.0029.01 | 1 | Hose Connector Kit |
| Not Shown | 30.0132.00 | 1 | Solution Hose Kit (45") |

SCHEMATICS - PARTS LISTS

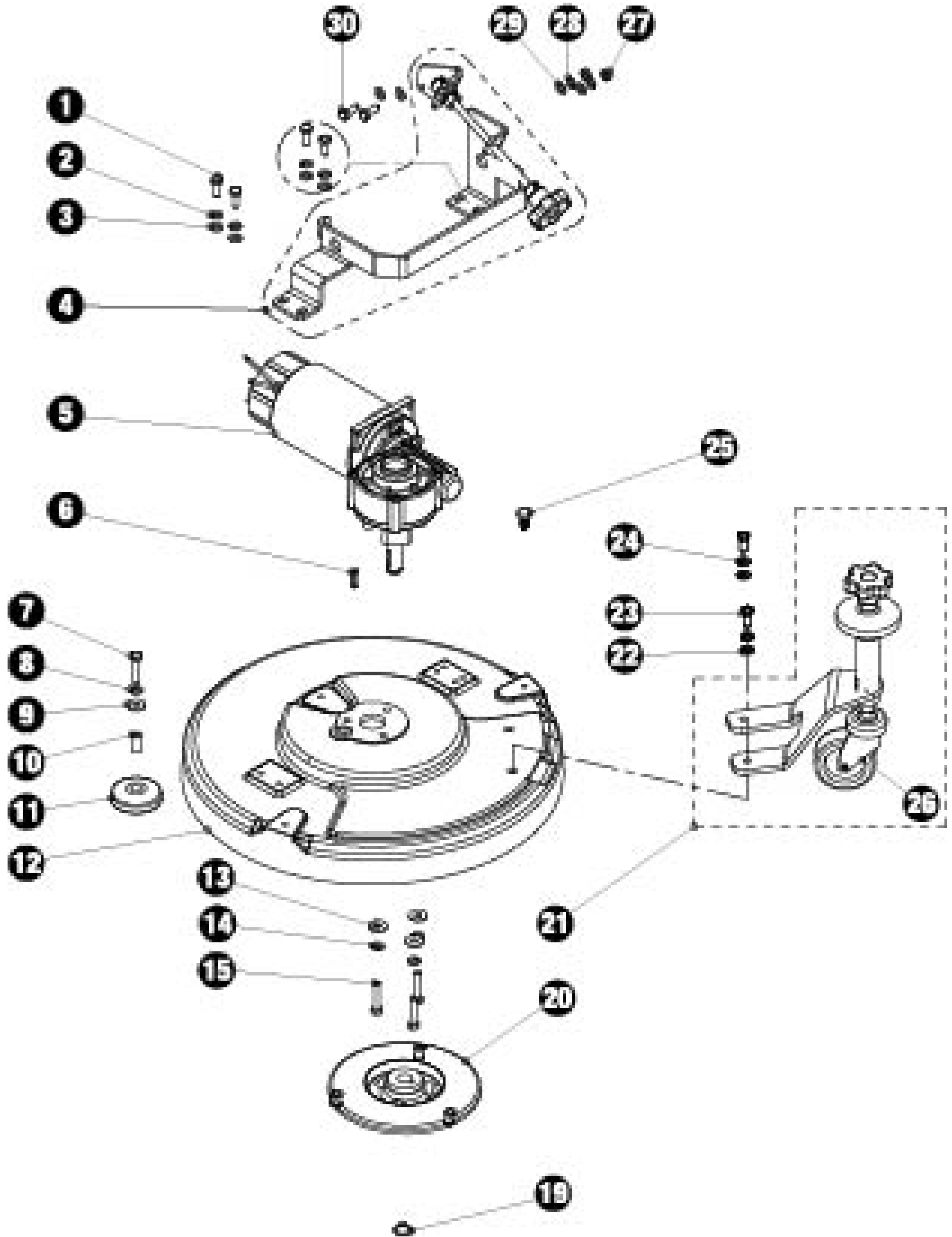
PAS14G 2019 ONWARD HOSE CONNECTION KIT



SCHEMATICS - PARTS LISTS
PAS14G 2019 ONWARD HOSE CONNECTION KIT

SCHEMATICS - PARTS LISTS

PAS14G 2019 ONWARD BRUSH MOTOR 1



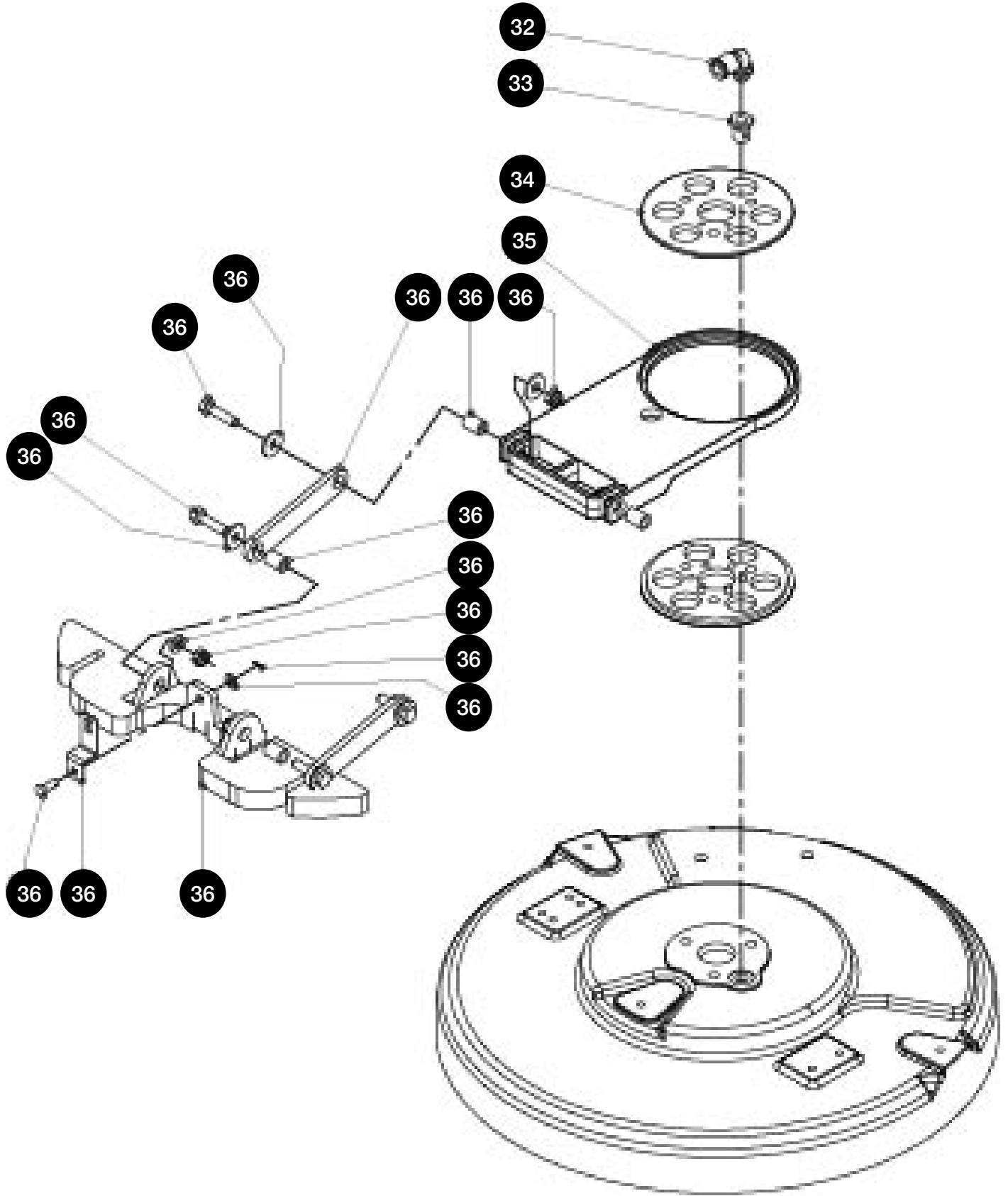
SCHEMATICS - PARTS LISTS

PAS14G 2019 ONWARD BRUSH MOTOR 1

| No. | Part No. | Qty | Description |
|-----------|------------|-----|------------------------------------------|
| 1 | 23.0023.00 | 4 | Screw |
| 2 | 23.0004.00 | 4 | Washer |
| 3 | 23.0046.00 | 4 | Washer |
| 4 | 96.0042.00 | 1 | Brush Inclination Assembly |
| 5 | 95.0032.00 | 1 | Brush Motor, Square Key, and Seeger Ring |
| 6 | 27.0044.00 | 1 | Square 5 x 5 x 20 |
| 7 | 23.0079.00 | 1 | Screw |
| 8 | 23.0004.00 | 1 | Washer |
| 9 | 23.0017.00 | 1 | Washer |
| 10 | 33.0155.00 | 1 | Spacer |
| 11 | 28.0037.00 | 1 | Wheel |
| 12 | 38.0023.00 | 1 | Brush Cover |
| 13 | 23.0046.00 | 3 | Washer |
| 14 | 23.0004.00 | 3 | Washer |
| 15 | 23.0142.00 | 3 | Screw |
| 19 | 27.0048.00 | 1 | Seeger Ring |
| 20 | 38.0019.00 | 1 | Hub |
| 21 | 96.0032.00 | 1 | Adjustable Wheel Assembly |
| 22 | 23.0009.00 | 2 | Washer |
| 23 | 23.0047.00 | 2 | Screw |
| 24 | 23.0008.00 | 2 | Washer |
| 25 | 15.208 | 1 | Cap |
| 26 | 28.0035.00 | 1 | Wheel |
| 27 | 23.0019.00 | 2 | Nut |
| 28 | 23.0004.00 | 2 | Washer |
| 29 | 23.0046.00 | 4 | Washer |
| 30 | 23.0177.00 | 2 | Screw |
| Not Shown | 95.0035.00 | | Bumper Wheel Assembly (Items 7 - 11) |

SCHEMATICS - PARTS LISTS

PAS14G 2019 ONWARD BRUSH MOTOR 2



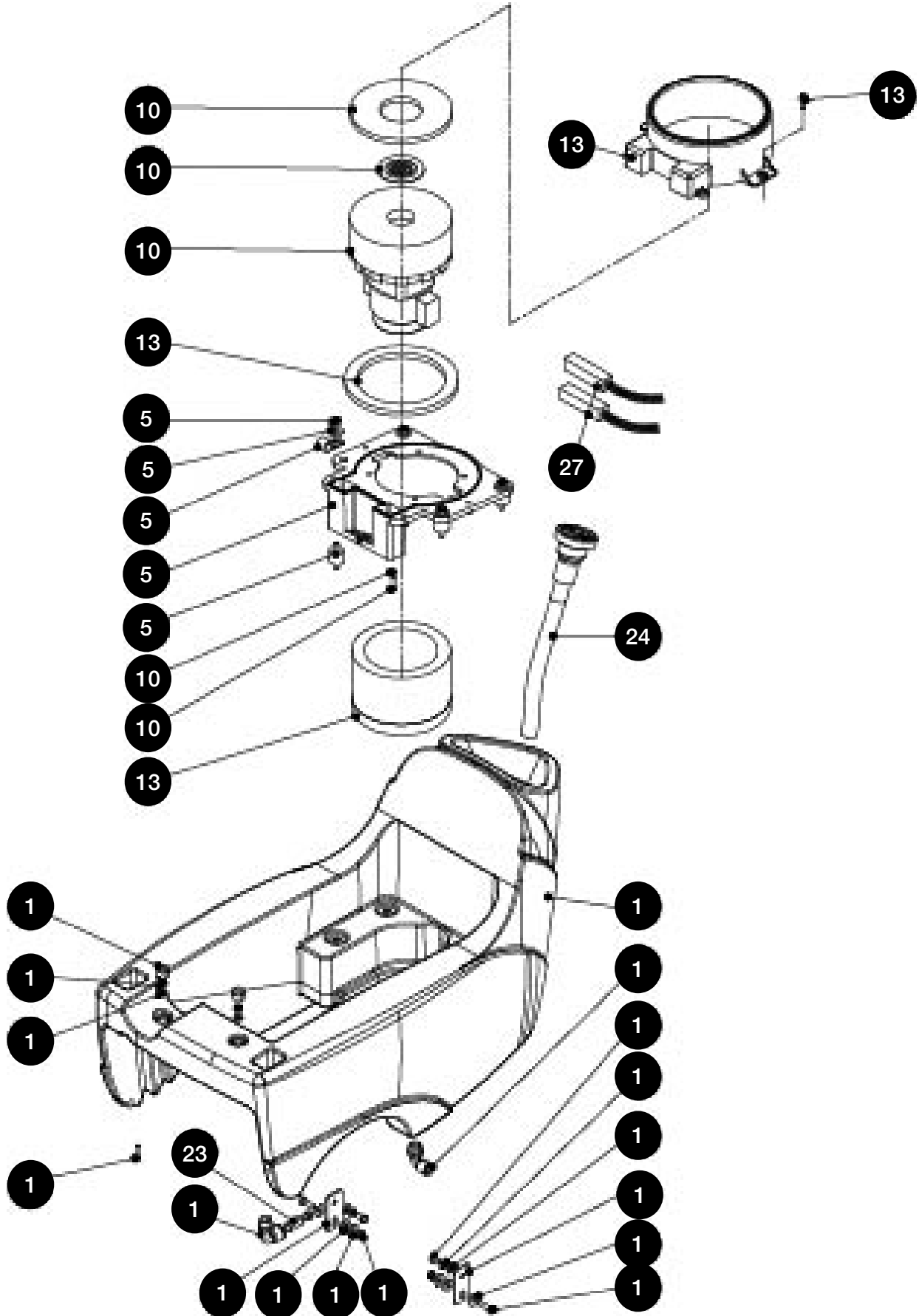
SCHEMATICS - PARTS LISTS

PAS14G 2019 ONWARD BRUSH MOTOR 2

| No. | Part No. | Qty | Description |
|-----------|------------|-----|------------------------------------|
| 32 | | 1 | Elbow P/O Hose Connection Kit |
| 33 | | 1 | Reducer P/O Hose Connection Kit |
| 34 | | 2 | Disc |
| 35 | 24.0141.00 | 1 | Holder |
| 36 | 95.0034.00 | 2 | Squeegee Support System |
| Not Shown | 95.0029.01 | 1 | Hose Connection Kit |
| Not Shown | 95.0033.00 | 1 | Fulcrum Arm Assembly (Items 34-35) |

SCHEMATICS - PARTS LISTS

PAS14G 2019 ONWARD SOLUTION TANK



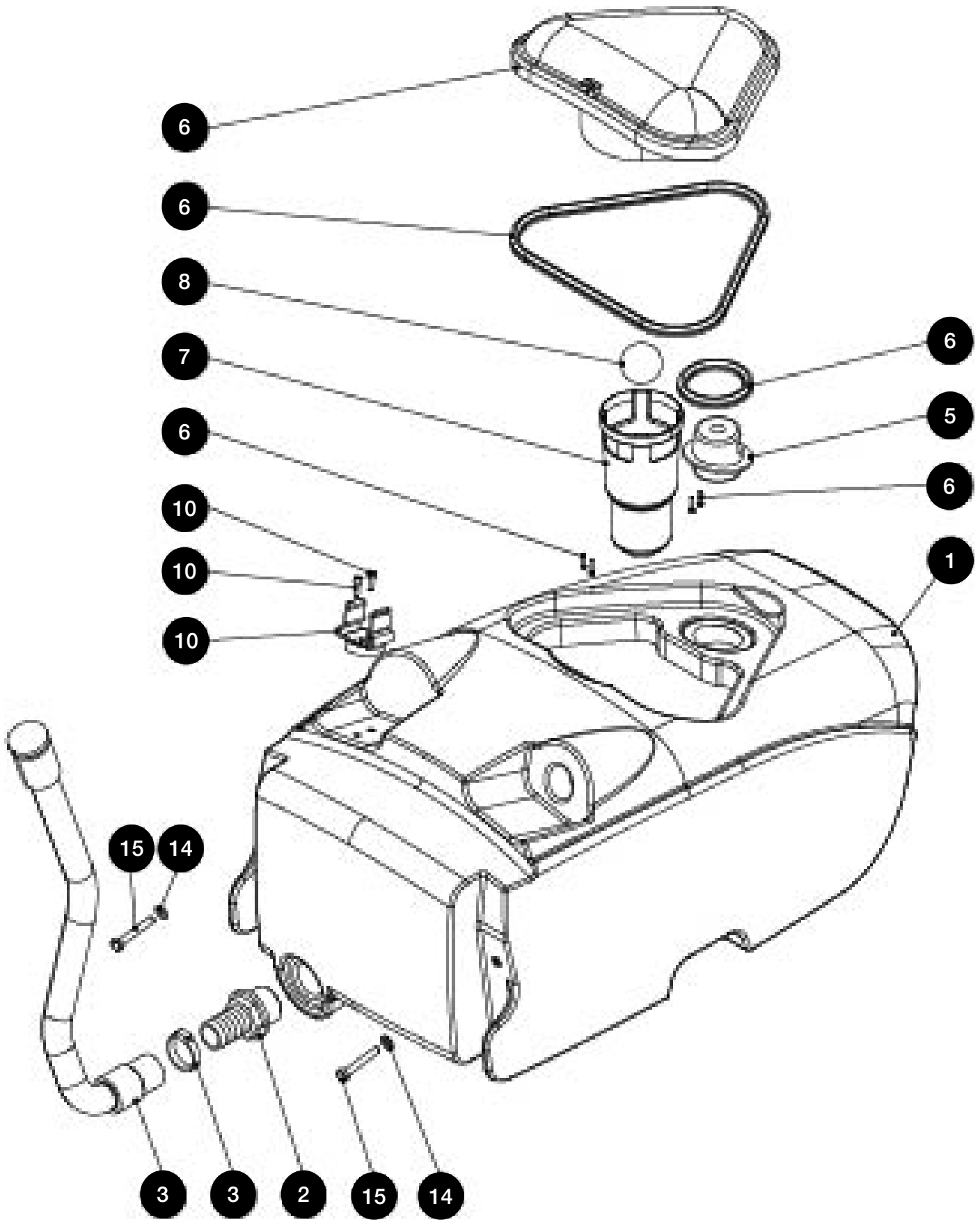
SCHEMATICS - PARTS LISTS

PAS14G 2019 ONWARD SOLUTION TANK

| No. | Part No. | Qty | Description |
|-----|------------|-----|---------------------------------|
| 1 | 95.0037.00 | 1 | Solution Tank (Black) |
| 5 | 95.0040.00 | 1 | Holder |
| 10 | 95.0038.00 | 1 | Vacuum Motor |
| 13 | 95.0039.00 | 1 | Soundproofing |
| 23 | 95.0026.00 | 1 | Cap |
| 24 | 30.0024.00 | 1 | Filling Hose |
| 27 | 34.0318.00 | 1 | Carbon Brushes for Vacuum Motor |

SCHEMATICS - PARTS LISTS

PAS14G 2019 ONWARD RECOVERY TANK



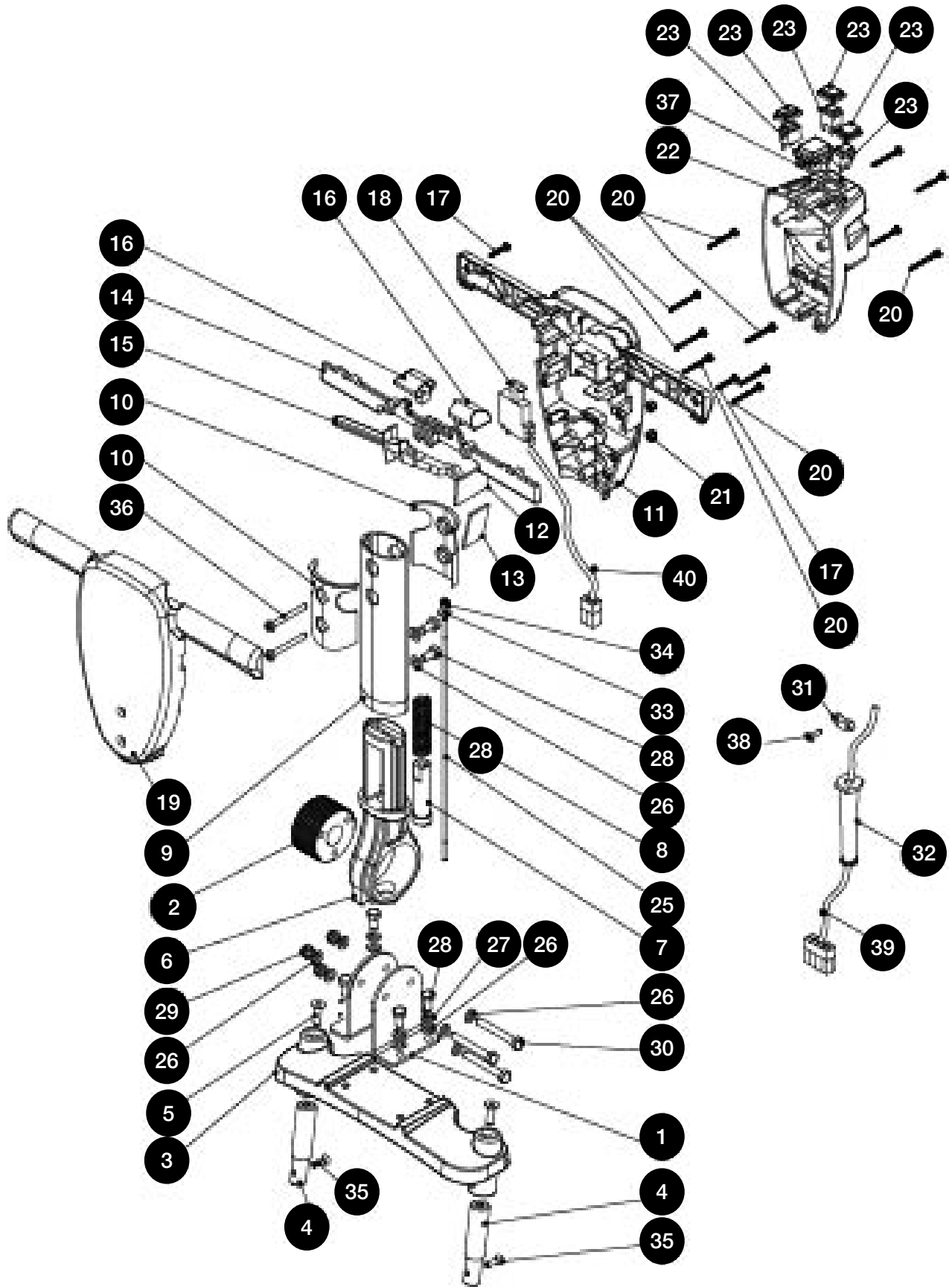
SCHEMATICS - PARTS LISTS

PAS14G 2019 ONWARD RECOVERY TANK

| No. | Part No. | Qty | Description |
|-----|------------|-----|------------------------------|
| 1 | 24.0171.00 | 1 | Recovery Tank |
| 2 | 30.0096.00 | 1 | Connection |
| 3 | 95.0043.00 | 1 | Drain Hose L=600 and Clamp |
| 5 | 24.0162.00 | 1 | Protection Cap |
| 6 | 95.0044.00 | 1 | Inspection Cap Assembly |
| 7 | 95.0045.00 | 1 | Float Cage w/Float |
| 8 | 24.0138.00 | 1 | Float |
| 10 | 95.0042.00 | 1 | Hose Clip w/2 Screws M4 x 14 |
| 14 | 23.0046.00 | 2 | Washer |
| 15 | 23.0123.00 | 2 | Screw M6 x 40 |

SCHEMATICS - PARTS LISTS

PAS14G 2019 ONWARD HANDLE



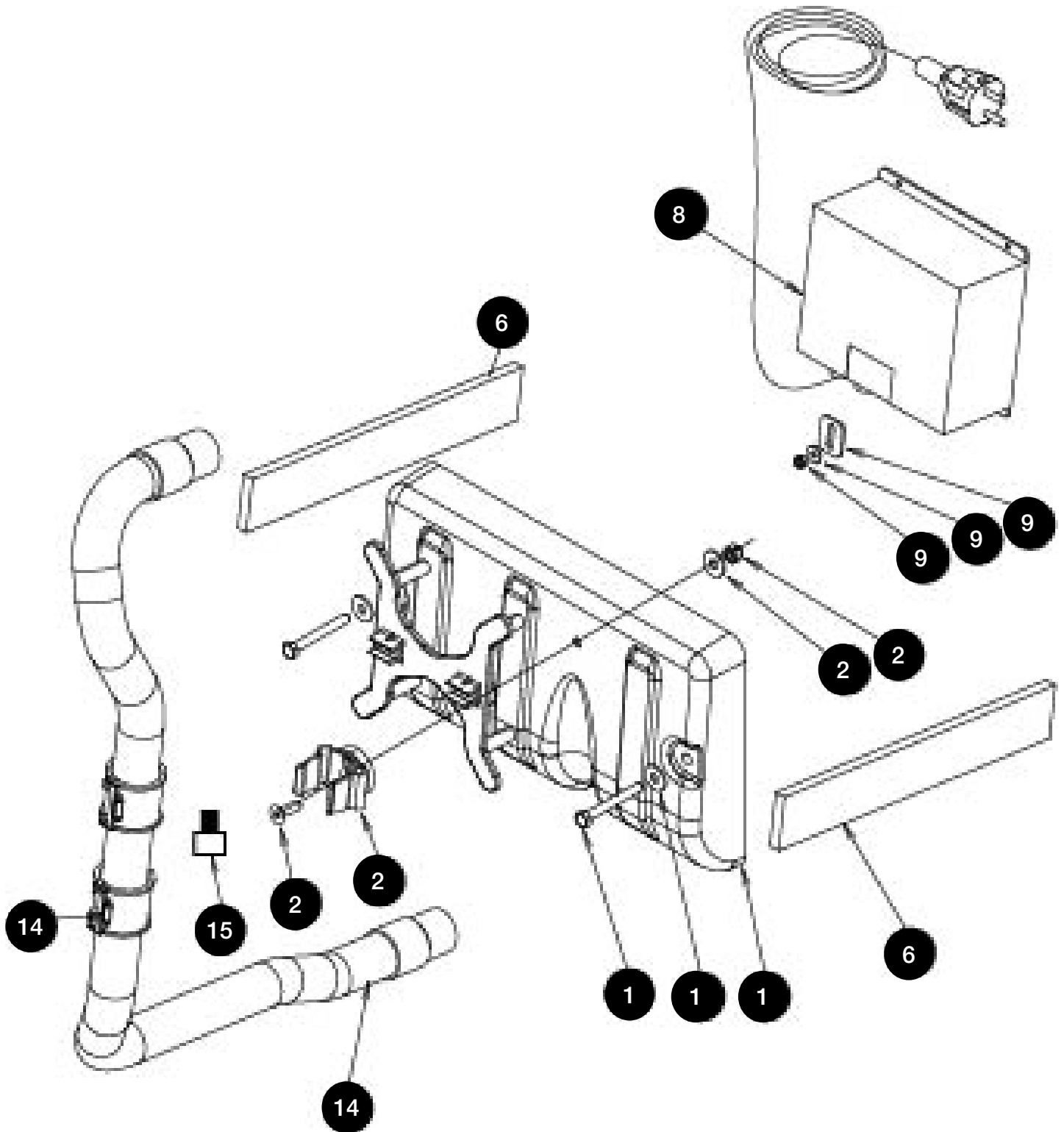
SCHEMATICS - PARTS LISTS

PAS14G 2019 ONWARD HANDLE

| No. | Part No. | Qty | Description |
|-----|--------------|-----|----------------------------------------|
| 1 | 25.0303.00 | 1 | Support |
| 2 | CAS35 | 1 | Handle Adjusting Gear |
| 3 | 38.0012.00 | 1 | Plate |
| 4 | 33.0117.00 | 2 | Pin |
| 5 | 23.0045.00 | 2 | Screw M8 x 25 |
| 6 | CAS110 | 1 | Aluminium Knuckle |
| 7 | CAS36 | 1 | Handle Adjusting Gear Dog |
| 8 | CAS22 | 1 | Gear Dog Spring |
| 9 | 03-8228-0000 | 1 | Short Handle Tube |
| 10 | CAS25 | 2 | Handle Rubber Boot |
| 11 | 03-6087-0067 | 1 | Rear Handle Half |
| 12 | 03.7917-0067 | 1 | Solution Trigger Backing Plate |
| 13 | 03.6693-0067 | 1 | Handle Socket Backing Plate |
| 14 | 03-6090-0067 | 2 | Trigger |
| 15 | 03-6089-0067 | 1 | Handle Adjustment Lever |
| 16 | 03-6092-0067 | 2 | Handle Interlock |
| 17 | CAS24 | 2 | Self Tapper |
| 18 | CAS40 | 1 | Switch |
| 19 | 03-6086-0067 | 1 | Front Handle Half |
| 20 | CAS23 | 11 | Self Tapper |
| 21 | 23.0044.000 | 2 | Nut |
| 22 | 24.0168.00 | 1 | Switch Housing |
| 23 | 95.0018.00 | 1 | Push Button Kit (3 Switches, 3 Covers) |
| 25 | 33.0128.00 | 1 | Rod |
| 26 | 23.0009.00 | 12 | Washer |
| 27 | 23.0008.00 | 4 | Washer |
| 28 | 23.0047.00 | 6 | Screw M8 x16 |
| 29 | 23.0027.00 | 3 | Nut |
| 30 | 23.0119.00 | 3 | Screw M8 x 60 |
| 31 | 12-109 | 1 | Cable Clamp |
| 32 | 12-118 | 1 | Strain Relief |
| 33 | 23.0043.00 | 1 | Washer |
| 34 | 23.0041.00 | 1 | Nut |
| 35 | 23.0024.00 | 2 | Screw M6 x 20 |
| 36 | 00-0655-0011 | 2 | Screw M6 x 55 |
| 37 | 34.0240.00 | 1 | Battery Level Indicator |
| 38 | 13-922 | 2 | Screw M4.5 x 13 |
| 39 | 34.0237.00 | 1 | Handle Cable |
| 40 | 34.0226.00 | 1 | Brush Switch Cable |

SCHEMATICS - PARTS LISTS

PAS14G 2019 ONWARD BATTERY CHARGER



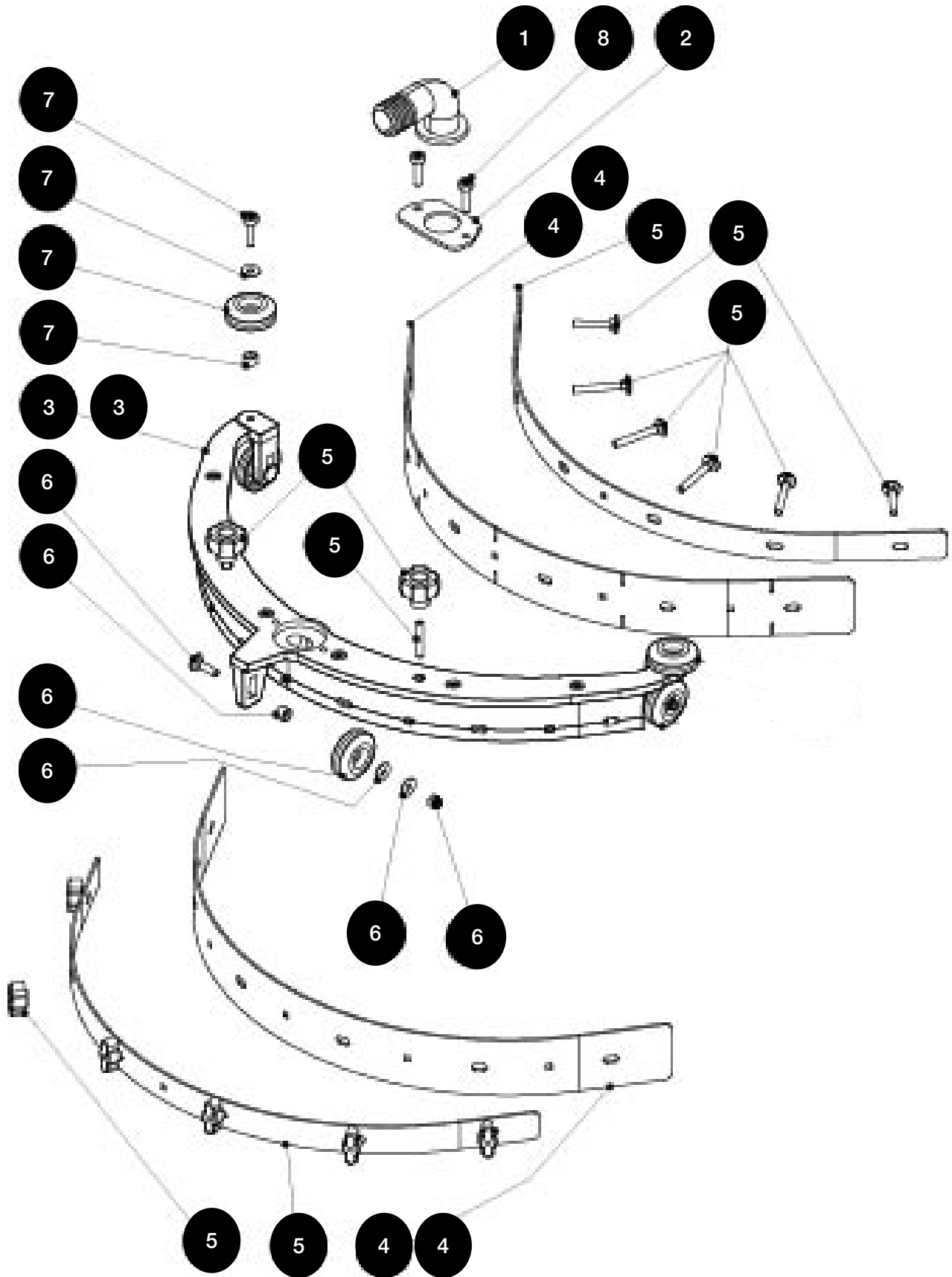
SCHEMATICS - PARTS LISTS

PAS14G 2019 ONWARD BATTERY CHARGER

| No. | Part No. | Qty | Description |
|-----------|------------|-----|----------------------------------|
| 1 | 95.0046.00 | 1 | Rear Cover (Includes 95.0047.00) |
| 2 | 95.0047.00 | 1 | Hose Clip Kit |
| 6 | 50.0025.00 | 2 | Battery Shim |
| 8 | 18.0033.00 | 1 | Battery Charger(US Plug) |
| 9 | 25.0256.00 | 1 | Charger Fixing Plate |
| 14 | 95.0070.00 | 1 | Squeegee Hose Kit |
| 15 | 95.0068.00 | 1 | Hose Strap Kit |
| Not Shown | 95.0069.00 | 1 | Battery Connection Cable Kit |

SCHEMATICS - PARTS LISTS

PAS14G 2019 ONWARD SQUEEGEE ASSEMBLY



SCHEMATICS - PARTS LISTS

PAS14G 2019 ONWARD SQUEEGEE ASSEMBLY

| No. | Part No. | Qty | Description |
|-----------|------------|-----|--------------------------------------------|
| 1 | 30.0098.00 | 1 | Elbow Connection |
| 2 | 25.0195.00 | 1 | Plate |
| 3 | 22.0134.01 | AR | Complete Squeegee Assembly (PARA) |
| 3 | 22.0134.00 | AR | Complete Squeegee Assembly (Oil Resistant) |
| 4 | 95.0048.00 | 1 | Squeegee Blade Set (PARA) |
| 4 | 95.0050.00 | 1 | Squeegee Blade Set (Oil Resistant) |
| 5 | 95.0053.00 | 1 | Squeegee Blade Retainer Kit |
| 6 | 95.0054.00 | 1 | Squeegee Wheel Kit (Set of 3) |
| 7 | 95.0052.00 | 2 | Bumper Wheel Kit (Set of 2) |
| 8 | 2508571 | 2 | Screw |
| Not Shown | 95.0049.00 | 1 | Squeegee Blade Set (PARA)(5 PAIR) |
| Not Shown | 95.0051.00 | 1 | Squeegee Blade Set (Oil Resistant)(5 PAIR) |

For warranty information go to www.Powr-Flite.com

Powr-Flite[®]

A Tacony Company

3101 Wichita Court • Fort Worth, TX 76140-1755

1-800-880-2913 • Fax: 1-817-551-0719