

# **Powr-Flite**<sup>®</sup>

**COMMERCIAL FLOOR CARE EQUIPMENT**

## **Parts List**

**Model P1500-3**  
**1500 RPM**  
**Burnisher**

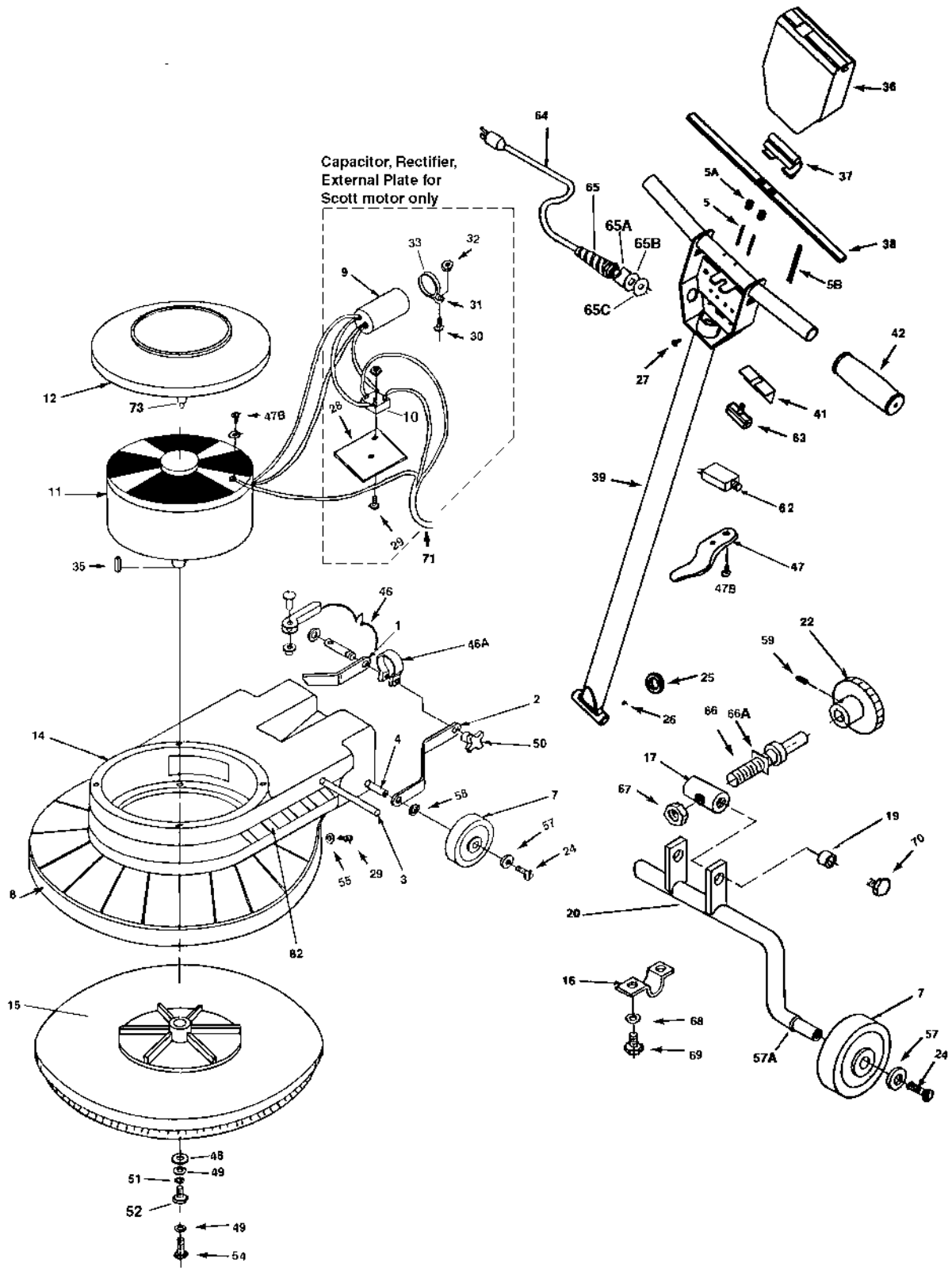


**Powr-Flite**<sup>®</sup>  
**COMMERCIAL FLOOR CARE EQUIPMENT**

A Tacony Company  
Fort Worth, Texas 76140

U.S. Patent Number 4,845,798  
U.S. Patent Number 4,756,042  
U.S. Patent Number 296,252

**Model P1500-3**



<b>ref#</b>	<b>order</b>	<b>description</b>
1	<b>X8017R</b>	right brace
2	<b>X8017L</b>	left brace
3	<b>X8018</b>	pivot shaft
4	<b>X8019</b>	11-5/8" axle
5	<b>X8918</b>	handle roller pin (2 req.)
5A	<b>X8916</b>	trigger tension spring (2 req.)
5B	<b>X8915</b>	handle trigger thumb actuation spring
7	<b>X8025</b>	4" wheel
8	<b>X8030</b>	46" bumper
9	<b>X8033</b>	1200 UF capacitor
	<b>X8955</b>	start capacitor 380 UF 125V
	<b>X8956</b>	run capacitor 60 UF 370V
10	<b>X8034</b>	rectifier, 35 amp, for machines with Scott Motors
	<b>X8034-2</b>	rectifier, 50 amp, for machines with Imperial Motors
11	<b>X8909</b>	1.5 hp gear motor assembly
12	<b>X8042</b>	motor cover
14	<b>X8051</b>	base housing
15	<b>X8080</b>	drive block with drive plate
16	<b>X8081</b>	wheel axle bracket
17	<b>X8082</b>	pivot block
19	<b>X8084</b>	bushing
20	<b>X8085</b>	wheel axle weldment
22	<b>X8087</b>	knob
24	<b>X8210</b>	wheel screw
25	<b>7BG004</b>	7/16" dia. grommet
26	<b>X8222</b>	1/4-20 x 3/16" set screw
27	<b>X8207</b>	#10-24 screw (3)
	<b>7CY001</b>	lock washer (3)
28	<b>X8023B</b>	heat sink for rectifier
29	<b>X8208</b>	10-24x5/8" phillips head machine screw
30	<b>X8202</b>	mount bolt
31	<b>X8150M</b>	mount for capacitor strap
32	<b>X8203</b>	8/32 mount nut
33	<b>X8150</b>	capacitor cable tie
35	<b>X8047</b>	motor key
36	<b>X8912</b>	switch box cover
37	<b>X8914</b>	thumb actuation release
38	<b>X8917</b>	handle trigger
39	<b>X8911</b>	1-1/2" dia. handle tube weldment
40	<b>X8005</b>	handle tube
41	<b>X8923</b>	insulation sheet
42	<b>X8941</b>	handle grip 1" inside dia.
46A	<b>X8012</b>	handle clamp collar
46	<b>X8012A</b>	handle clamp assembly
47	<b>X8013</b>	cord hook
47B	<b>X8207</b>	10/24"x1/2" type F machine screw (2 req.)

<b>ref#</b>	<b>order</b>	<b>description</b>
48	<b>X8230</b>	3/8" SAE wrought washer
49	<b>X8219</b>	3/8" SAE flat washer (4)
50	<b>X8016</b>	knob
51	<b>X8217</b>	5/16" spring lock washer
52	<b>X8215</b>	15/16" - 18x3/4" hex cap bolt
54	<b>X8227</b>	5/16"-18x1-1/4" HHCS (4)
55	<b>X8225</b>	3/16" cut washer
57	<b>X8020</b>	axle washer
57A	<b>X8224</b>	spacing washer (2)
58	<b>X8101</b>	spring washer (2)
59	<b>X8205</b>	10/32"x3/8" socket set screw
62	<b>X8023A</b>	17 amp circuit breaker
63	<b>F5P</b>	switch, 25 AMP
64	<b>M1400</b>	14/3 SJTW-A 75' power cord, yellow
	<b>M1400S</b>	14/3 SJTW-A 75' yellow cord assembly with metal strain relief and flag receptical
65	<b>SR37</b>	strain relief
65A	<b>SR37A</b>	brass sleeve, strain relief
65B	<b>X8228</b>	11/16" I.D., flat washer
65C	<b>X8100</b>	counter nut
66	<b>X8083</b>	adjusting screw
66A	<b>X8221-1</b>	screw stop
67	<b>X8221</b>	1/2"x13" hex nut
68	<b>X8212</b>	1/4" spring lock washer (4)
69	<b>X8209</b>	1/4"-20x1/2" hex end cap screw (4)
70	<b>X8215</b>	5/16"-18x3/4" hex head bolt (2)
73	<b>X8105</b>	spacer, motor cover (4 req.)

**NOT ILLUSTRATED**

	<b>X8022</b>	cord assembly (handle)
	<b>X8036K</b>	fastener packages Imperial motor
	<b>X8048</b>	carbon brush and spring (Scott motor)
	<b>X8048-1</b>	negator spring for X8048
	<b>X8512</b>	carbon brush (Imperial motor)
	<b>X8213</b>	nut for X8210-1
	<b>X8222</b>	1/4"-2x3/4" socket set screw for X8011 handle
	<b>F50P</b>	power grab pad holder
	<b>F51P</b>	snap in top ring for F50P
	<b>X8049</b>	brush holder
	<b>X8150</b>	capacitor strap
	<b>X8180</b>	6205 bearing
	<b>X8108</b>	wheel spacer
	<b>X8220</b>	long, switch housing screw
	<b>X8210-1</b>	short, switch housing screw and nut

\*Call for part number and pricing.

**\* X8036, NLA-Order X8036-1 and X8036K if replacing Scott motor**



A Tacony Company  
Fort Worth, Texas 76140