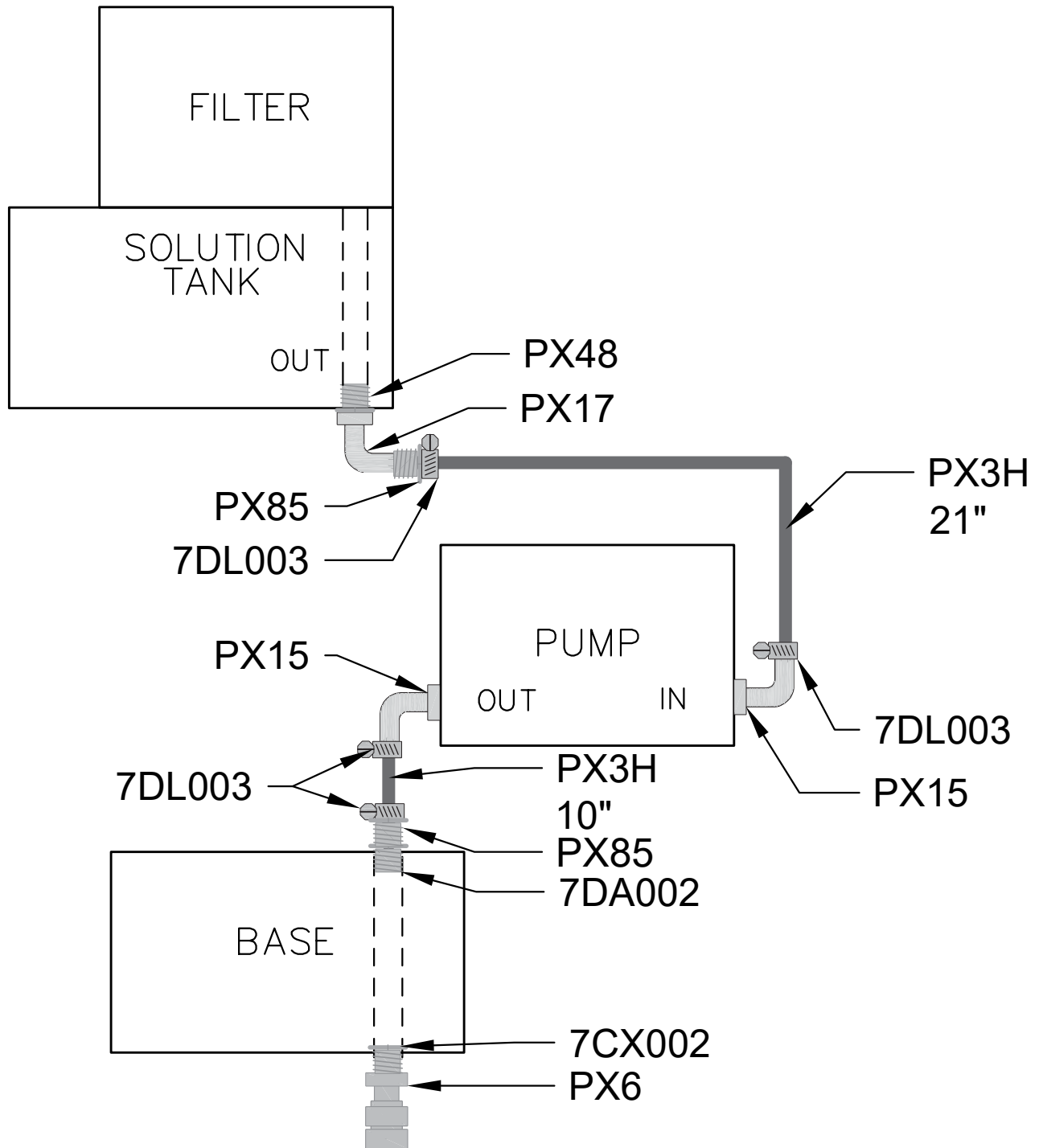


**SCHEMATIC USED
FOR THE FOLLOWING
MACHINES:**

PFX1380	HM55-100	-	-
98250	HM55-100-AUS	-	-
67114-1	-	-	-
PFX1380-2	-	-	-



REV	DATE	ECN	DESCRIPTION	BY	Tacony <small>COMMERCIAL FLOOR CARE EQUIPMENT</small>					
A	6/17/19	-	INITIAL RELEASE	VK	3101 Wichita Court Fort Worth, TX 76140-1755					
-	-	-	-	-	DWN	VK	DATE	6/17/19	SHT	1 OF 1
-	-	-	-	-	SOLUTION TANK	13 GALLONS		PSI	100	
-	-	-	-	-	DESCRIPTION	HOSE LAYOUT NON-HEATED				
<small>POWR-FLITE CORPORATION CLAIMS PROPRIETARY RIGHTS IN THE ENGINEERING INFORMATION ONLY. IT MAY NOT BE REPRODUCED, MANUFACTURING PURPOSES WITHOUT WRITTEN PERMISSION FROM POWR-FLITE CORP.</small>					<small>MATERIAL DISCLOSED HEREIN. THIS DRAWING IS ISSUED FOR NOR MAY THE INFORMATION HEREIN BE USED FOR</small>					
									REV	A