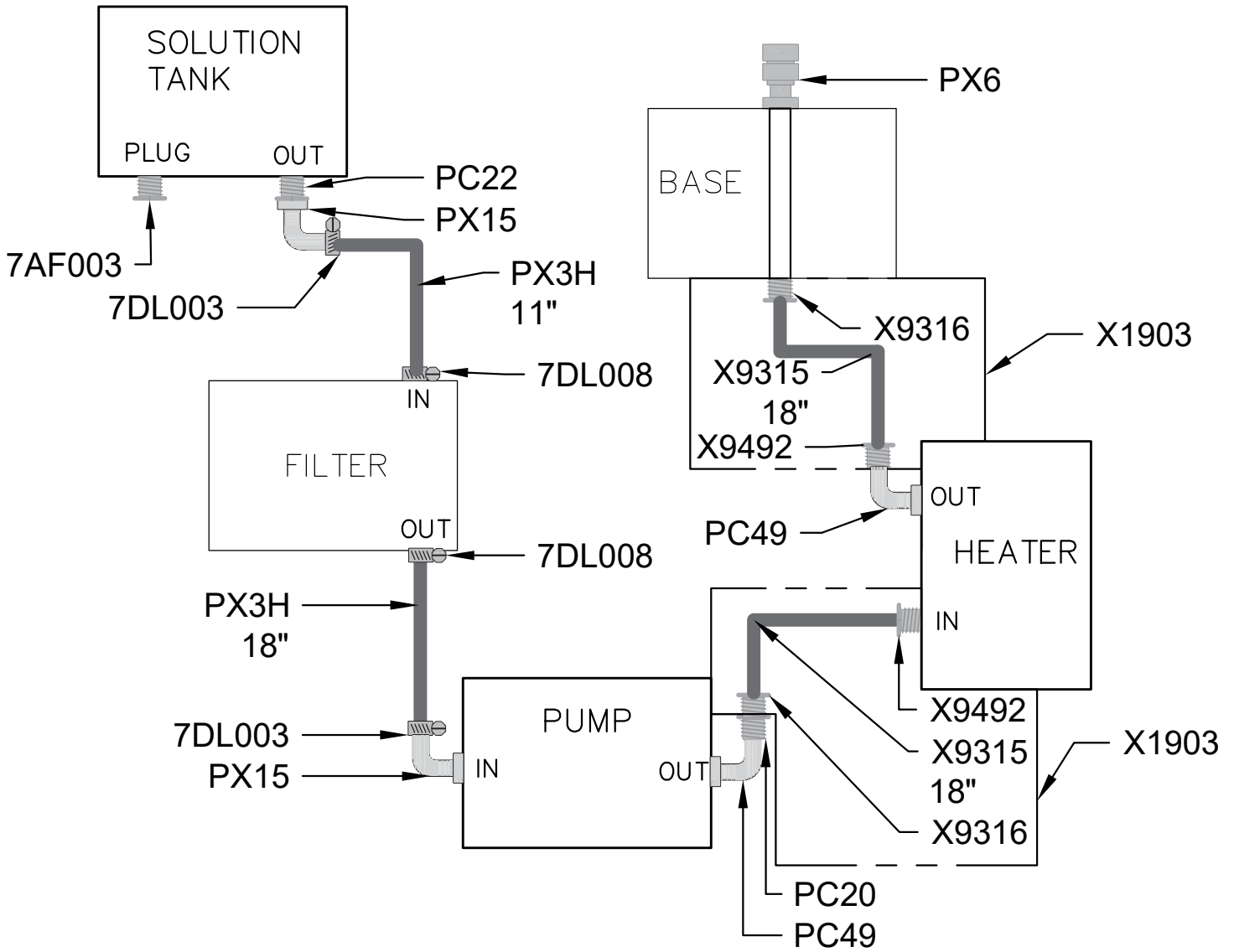


**SCHEMATIC USED
FOR THE FOLLOWING
MACHINES:**

PFX1080E	PFX1080E-2XP	-	-
SC6088B	PFX1080E-2XPD	-	-
PFX1080E-2	PFX1050-HA	-	-
PFX1080E-2-SH	-	-	-



REV	DATE	ECN	DESCRIPTION	BY	Tacony 3101 Wichita Court Fort Worth, TX 76140-1755 COMMERCIAL FLOOR CARE EQUIPMENT					
A	5/29/19	-	INITIAL RELEASE	VK	DWN	VK	DATE	5/29/19	SHT	1 OF 1
-	-	-	-	-	SOLUTION TANK	10 GALLONS	PSI	100		
-	-	-	-	-	DESCRIPTION	10 GAL HEATER HOSE LAYOUT				

POWR-FLITE CORPORATION CLAIMS PROPRIETARY RIGHTS IN THE MATERIAL DISCLOSED HEREIN. THIS DRAWING IS ISSUED FOR ENGINEERING INFORMATION ONLY. IT MAY NOT BE REPRODUCED, NOR MAY THE INFORMATION HEREIN BE USED FOR MANUFACTURING PURPOSES WITHOUT WRITTEN PERMISSION FROM POWR-FLITE CORP.