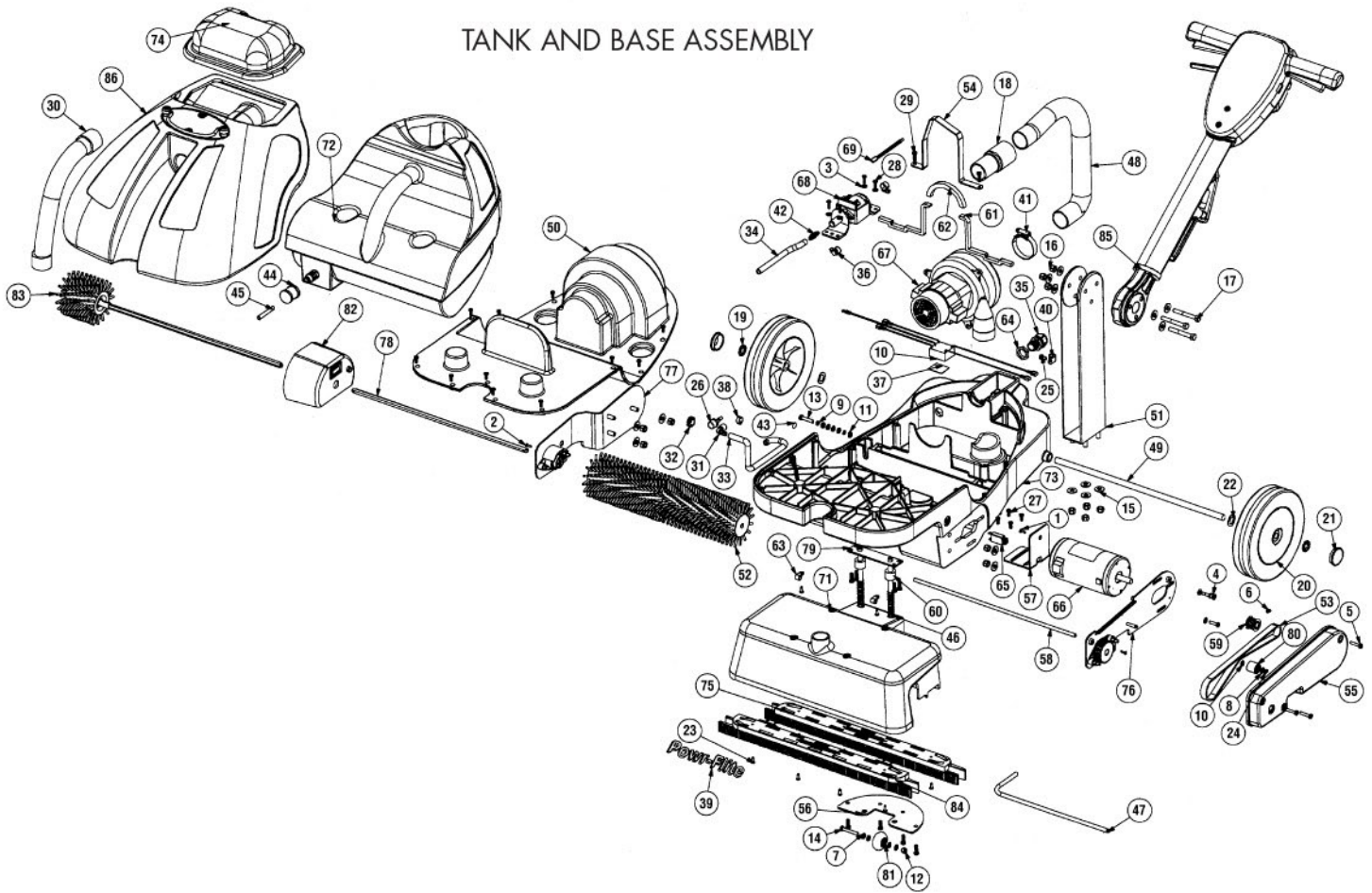


TANK AND BASE ASSEMBLY



ref #	item #	description
2	CAS81	M4 x 10 pozi hd screw
4	CAS124	M5 x 20mm pozi pan head screw
5	CAS103	M6 washer 14mm OD 1.6mm thick
6	CAS102	M5 x 25mm pozi pan head screw
7	00-0600-0723	M6 nylon insert nut
12	00-0600-0723	M6 nylon insert nut
14	00-0640-0121	M6 x 40 hex head bolt
15	00-0800-0721	nut M8 nyloc
16	00-0800-0551	washer M8 form "C"
18	CAS120	hose cuff 39mm
19	X8108	washer plastic
20	SC339	wheel assembly
22	CAS49	crinkle washer
26	SC303	female coupling connector
30	SC312	vac pick up hose
31	SC310	1/4" metal elbow
44	SC333	filter element
44A	SC303	bulkhead fitting
45	03-6344-1000	nylon tubing
47	CAS54	spray bar
49	CAS56	axle
51	CAS57	handle support
52	CAS58G	heavy duty brush
53	CAS59	drive belt
65	CAS61	1.5 amp current overload 240v
66	CAS62	commutator motor
67	CAS63	motor tangential discharge
68	CAS64	pump with mounts
69	CAS65	thermal overload
70	CAS66	motor supressor
74	CAS67	clear dome assembly

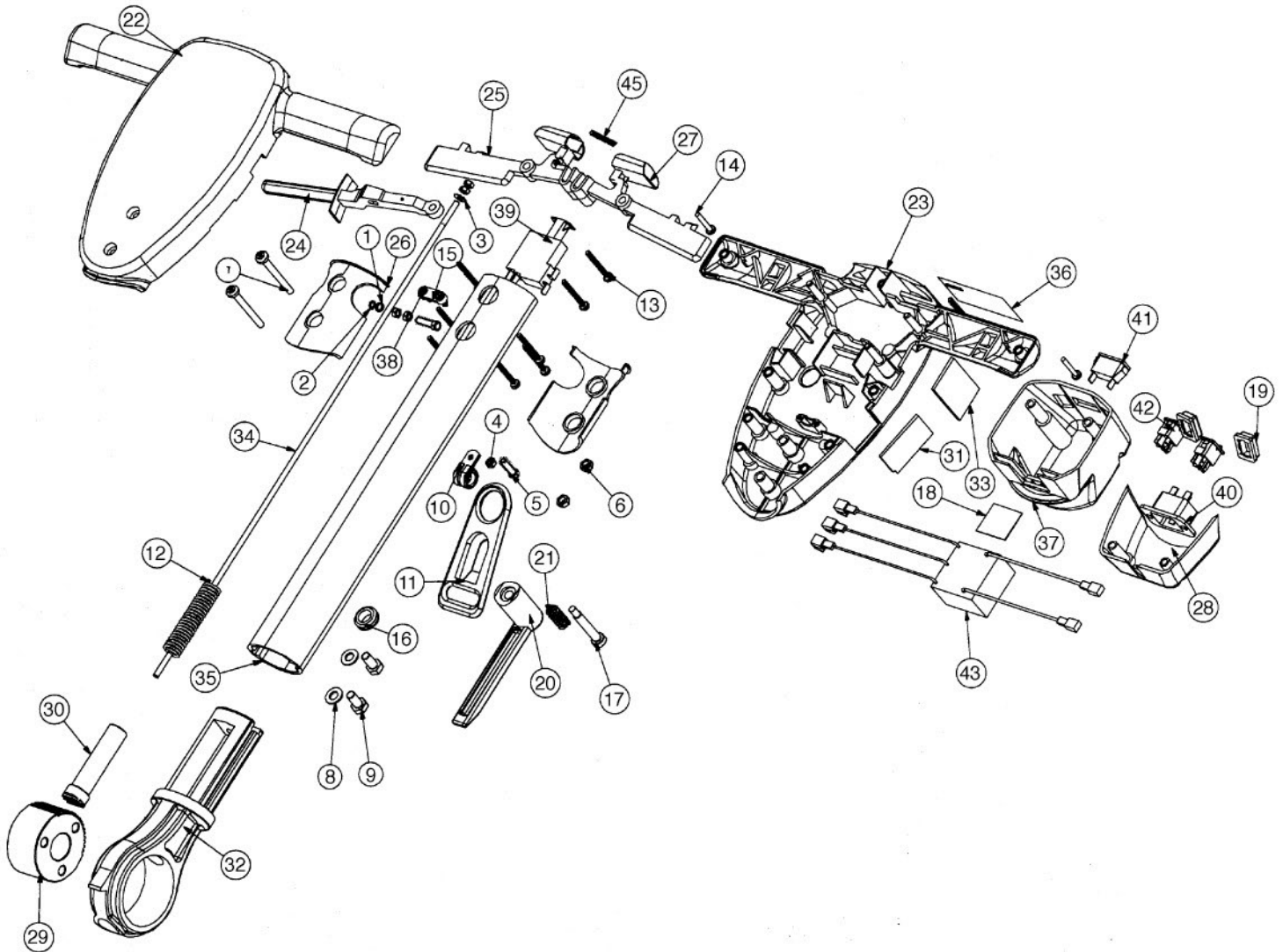
ref #	item #	description
75	CAS68	squeegee assembly
76	CAS69	motor plate assembly
77	CAS70	bearing plate assembly
78	CAS71	brush axle assembly
79	CAS72	vacuum shoe mount runner assembly
81	CAS74	wheel assembly
83	CAS75	side brush assembly
84	CAS76	front squeegee carrier assembly
86	CAS107	solution tank

NOT ILLUSTRATED

CAS82	caster wheel
CAS83	wheel bearing
CAS84	squeegee blade
CAS85	squeegee roller assembly
CAS87	idler pulley
CAS90	bearing plate countersunk screw
CAS88	bearing 6003-2RS
CAS93	motor plate brush sprocket
CAS90	motor plate countersunk screw
CAS94	clear dome lid
CAS95	clear dome lid seal
04-3409-0000	chassis bridge rectifier 25 amp
CAS98	chassis outlet cover
CAS99	chassis outlet filter
CAS24	chassis self tapper
CAS101	strengthening bar
CAS102	M5 x 25mm pozi pan head screw

*call for pricing and availability of all referenced parts

HANDLE ASSEMBLY



ref #	item #	description
8	00-0800-0503	M8 washer
9	00-0816-0111	M8 x 16LG hex head set screw
10	02-3151-0000	clip
11	02-3152-0000	cable strain relief bracket
12	CAS22	gear dog spring
13	CAS23	self tapper
14	CAS24	self tapper
15	CAS25	handle gasket, rubber
16	02-3520-0000	grommet, diaphragm
17	02-3523-0000	bolt
19	02-4492-0000	splash proof cover
20	CAS27	cable winder
21	CAS28	cable winder spring
22	CAS29	control box front
23	CAS30	control box rear
24	03-6089-0067	gear operating lever

ref #	item #	description
25	03-6090-0067	trigger
27	CAS33	interlock button
28	CAS34	cord retainer
29	CAS35	handle gear
30	CAS36	gear dog
32	CAS110	aluminum knuckle pressure
34	CAS38	gear rod
35	03-7927-0000	oval handle tube
37	CAS39	cord inlet box
38	04-0237-0000	cable clamp bar
39	CAS40	schulte switch
42	CAS43	rocker switch
NOT ILLUSTRATED		
	04-3246-0000	supply cord

*call for pricing and availability of all referenced parts