

# Powr-Flite®

## PARTS LIST

### Comfort Pro Backpack Vacuum BP6-BP10 Series

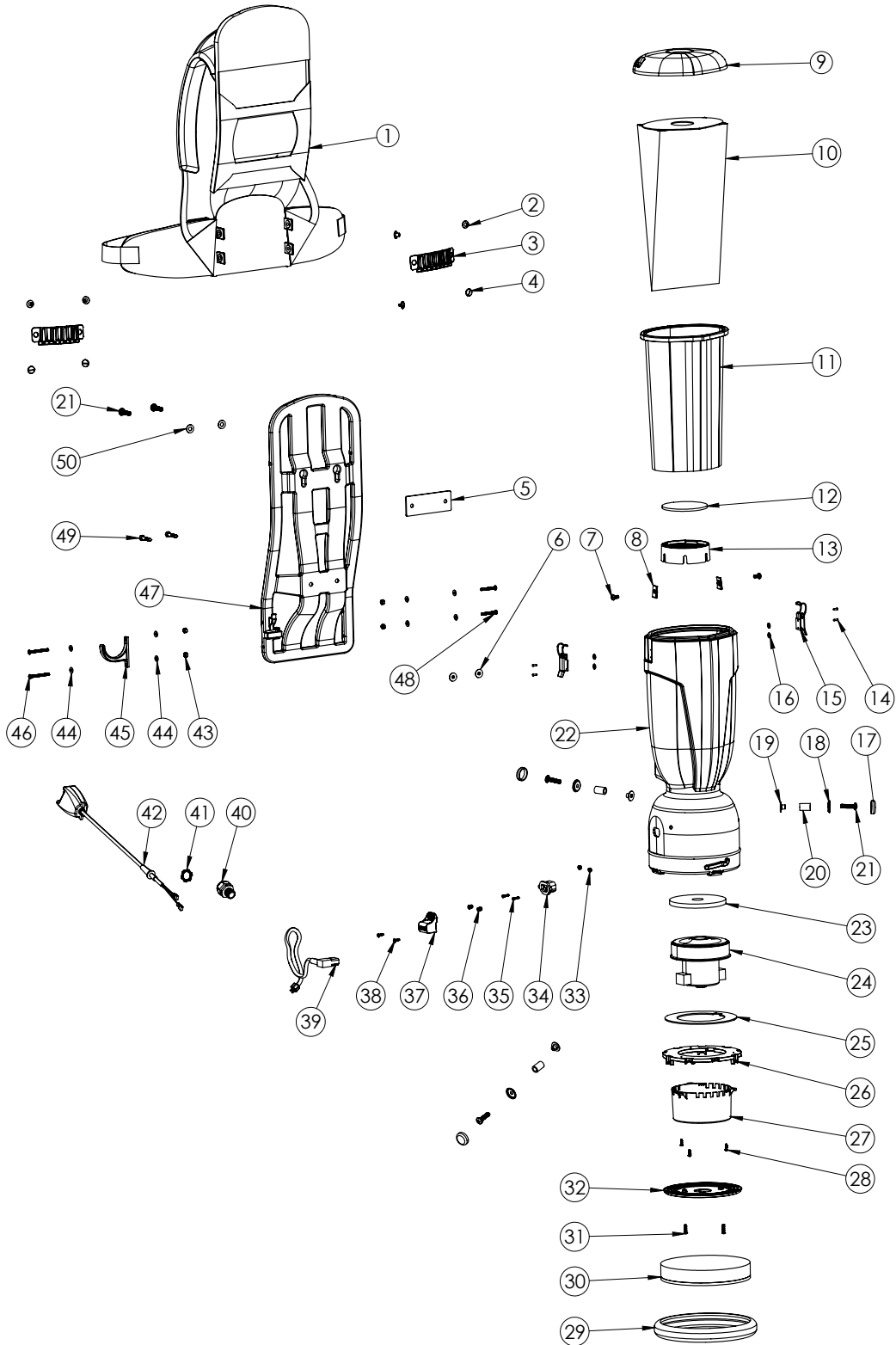


**WARNING: OPERATOR MUST READ AND UNDERSTAND THIS MANUAL  
COMPLETELY BEFORE OPERATING THIS EQUIPMENT.**

**Save These Instructions**

# SCHEMATICS - PARTS LISTS

BP6S



## SCHEMATICS - PARTS LISTS

### BP6S

No.	Part No.	Qty	Description
1	X9658	1	Deuter Harness
2	A352-9401	4	Shoulder Rivet Female
3	X9672	2	Tool Holder
4	A352-9402	4	Shoulder Rivet Male
5	X9759	1	Gasket
6	X1466B	2	Rubber Washer
7	X9754	2	Screw 1/4-20 x 5/8"
8	X9691	2	Clip Nut
9	X9666	1	Lid
10	X9739	1	HEPA Paper Bag (10 Pk.)
	X9735	1	Closed Mouth Paper Bag (10 Pk.)
	X9737	1	Open Mouth Paper Bag (10 Pk.)
11	X9679A	1	Microcloth Bag With Gasket
12	X9683	1	Inlet Filter
13	X9668	1	Inlet Filter Base
14	X9758	4	Rivet
15	A352-3300	2	Lid Latch
16	01575	4	Washer
17	X9734	3	Cap
18	X9733	3	Cap Base
19	X9713	3	Weldnut
20	X9681	3	Rubber Motor Mount
21	X9688	5	Motor Mounting Bolt
22	X9664 - F	1	Housing With Filter
23	X9079	1	Gasket
24	B395-2000	1	Motor
25	X9684	1	Gasket
26	X9671	1	Motor Mounting Bracket
27	X9669	1	Motor Shield
28	X9690	3	Screw 8-18 x 1/2"
29	X9685	1	Housing Bumper
30	X9682	1	Exhaust Filter
31	X9676	2	Screw 8-18 x 3/4"
32	X9667	1	Exhaust Filter Plate
33	X8257	2	Nyloc Nut
34	X9677	1	Kettle Plug
35	X9748	2	Screw 6-32 x 5/8"

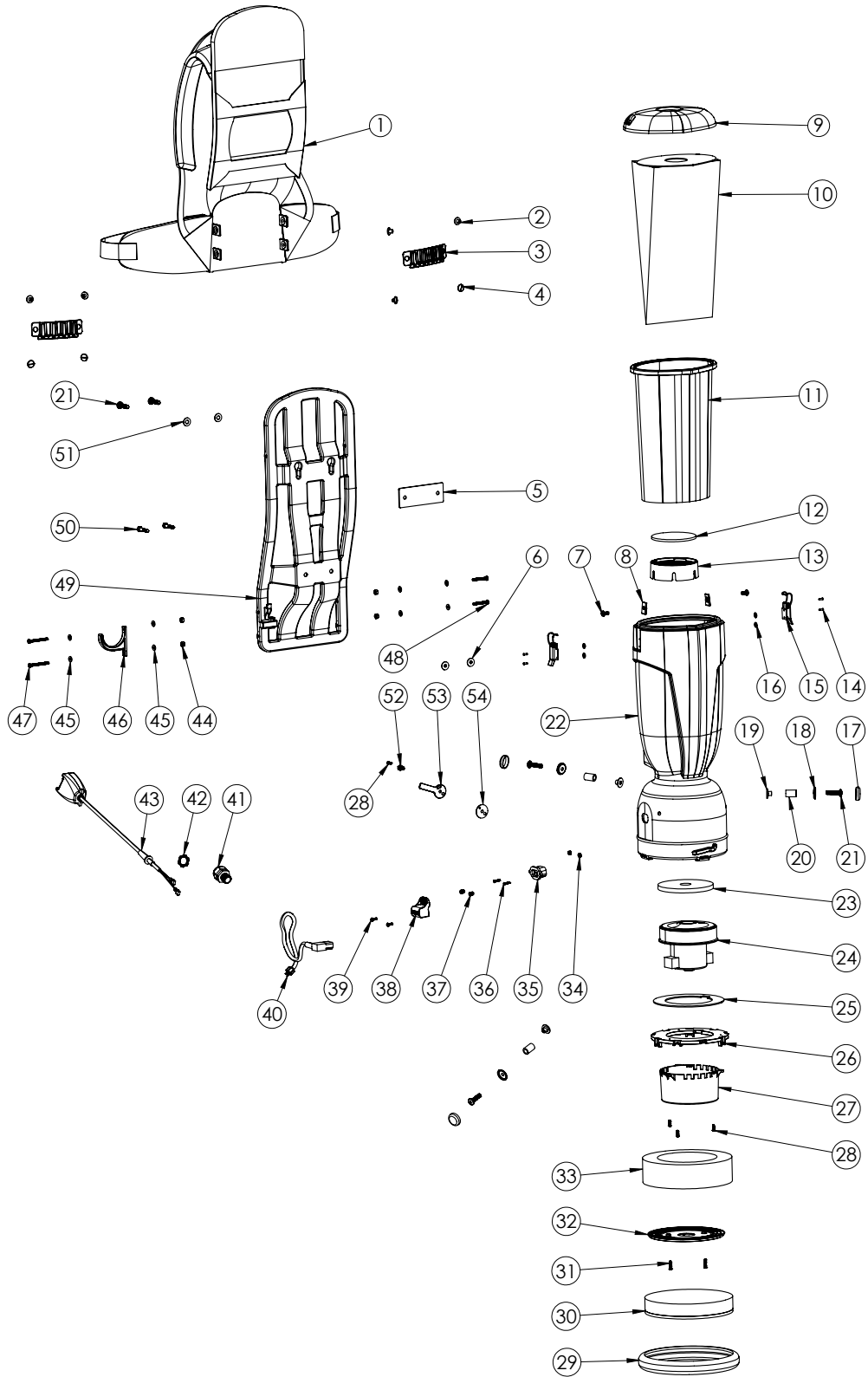
## SCHEMATICS - PARTS LISTS

### BP6S

No.	Part No.	Qty	Description
36	X1075	2	8/32 Threaded Insert
37	X1042	1	Plug Cover
38	X8278	2	Screw 8-32 x 1/2"
39	X9714	1	Power Cord 50' Yellow
40	PD8	1	Strain Relief
41	X8008N	1	Lock Nut 1/2 Steel Conduit
42	X1151	1	Switch Housing Assembly
43	X8271	4	Nyloc Nut
44	X9747	8	Washer
45	X9718	1	Cord Hook
46	X8244-BLK	2	Screw 10-24 x 2"
47	X9670	1	Harness Frame
48	X9746	2	Screw 10-24 x 1-3/4"
49	X8843	2	Bolt 1/4-20 x 1-1/4"
50	02568	2	Washer

# SCHEMATICS - PARTS LISTS

BP6P



## SCHEMATICS - PARTS LISTS

### BP6P

No.	Part No.	Qty	Description
1	X9658	1	Deuter Harness
2	A352-9401	4	Shoulder Rivet Female
3	X9672	2	Tool Holder
4	A352-9402	4	Shoulder Rivet Male
5	X9759	1	Gasket
6	X1466B	2	Rubber Washer
7	X9754	2	Screw 1/4-20 x 5/8"
8	X9691	2	Clip Nut
9	X9666	1	Lid
10	X9739	1	HEPA Paper Bag (10 Pk.)
	X9735	1	Closed Mouth Paper Bag (10 Pk.)
	X9737	1	Open Mouth Paper Bag (10 Pk.)
11	X9679A	1	Microcloth Bag With Gasket
12	X9683	1	Inlet Filter
13	X9668	1	Inlet Filter Base
14	X9758	4	Rivet
15	A352-3300	2	Lid Latch
16	01575	4	Washer
17	X9734	3	Cap
18	X9733	3	Cap Base
19	X9713	3	Weldnut
20	X9681	3	Rubber Motor Mount
21	X9688	5	Motor Mounting Bolt
22	X9664 - F	1	Housing With Filter
23	X9079	1	Gasket
24	B395-2000	1	Motor
25	X9684	1	Gasket
26	X9671	1	Motor Mounting Bracket
27	X9669	1	Motor Shield
28	X9690	3	Screw 8-18 x 1/2"
29	X9685	1	Housing Bumper
30	X9682	1	Exhaust Filter
31	X9676	2	Screw 8-18 x 3/4"
32	X9667	1	Exhaust Filter Plate
33	X9717	1	Sound Damping Foam Ring
34	X8257	2	Nyloc Nut
35	X9677	1	Kettle Plug

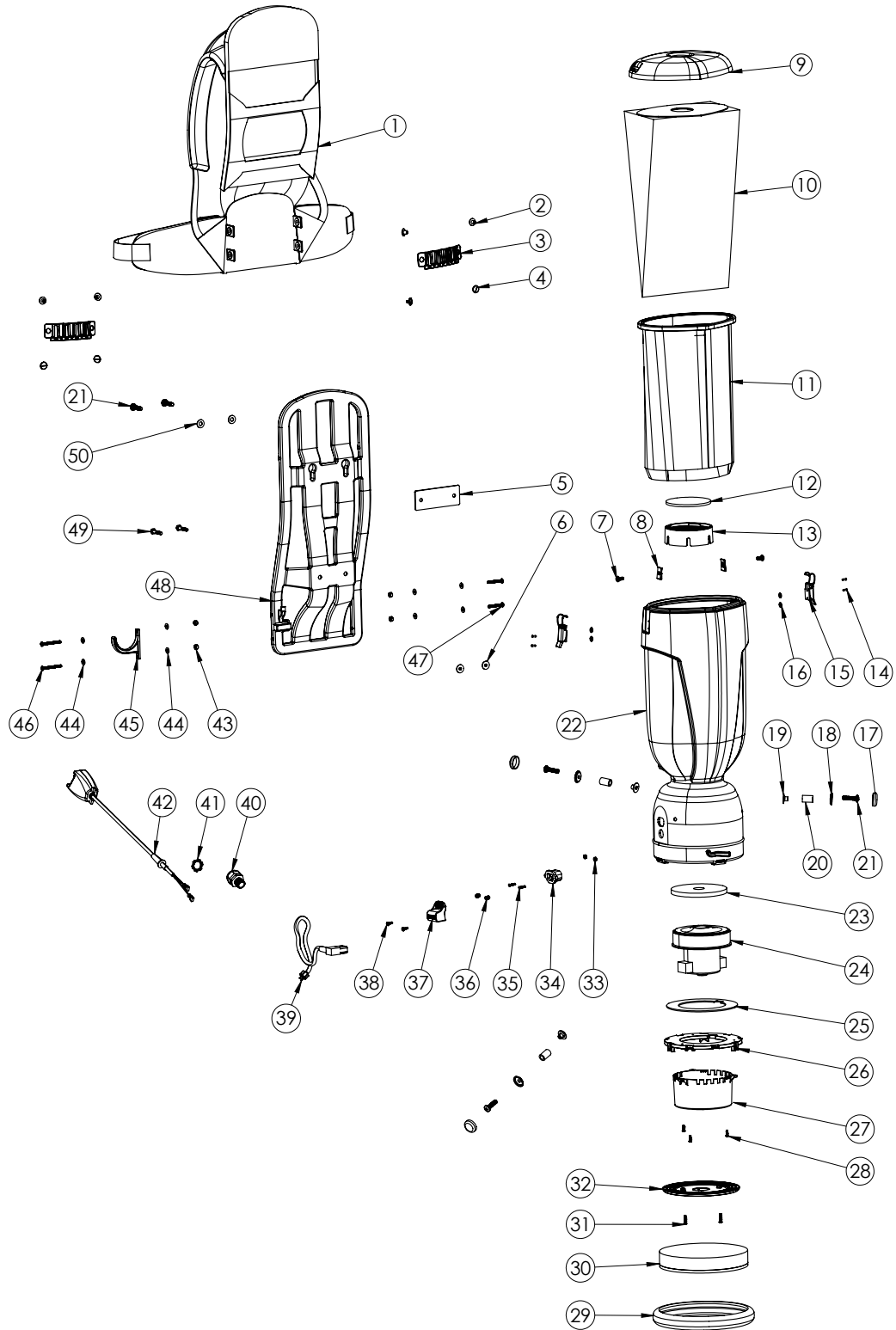
## SCHEMATICS - PARTS LISTS

### BP6P

No.	Part No.	Qty	Description
36	X9748	2	Screw 6-32 x 5/8"
37	X1075	2	8/32 Threaded Insert
38	X1042	1	Plug Cover
39	X8278	2	Screw 8-32 x 1/2"
40	X9714	1	Power Cord 50' Yellow
41	PD8	1	Strain Relief
42	X8008N	1	Lock Nut 1/2 Steel Conduit
43	X1151	1	Switch Housing Assembly
44	X8271	4	Nyloc Nut
45	X9747	8	Washer
46	X9718	1	Cord Hook
47	X8244-BLK	2	Screw 10-24 x 2"
48	X9746	1	Harness Frame
49	X9670	2	Screw 10-24 x 1-3/4"
50	X8843	2	Bolt 1/4-20 x 1-1/4"
51	02568	2	Washer
52	X1674	2	Screw 1/4-20 x 1/2"
53	X9699	1	Lever
54	X9695	1	Gasket

# SCHEMATICS - PARTS LISTS

BP10S





## SCHEMATICS - PARTS LISTS

### BP10S

No.	Part No.	Qty	Description
1	X9658	1	Deuter Harness
2	A352-9401	4	Shoulder Rivet Female
3	X9672	2	Tool Holder
4	A352-9402	4	Shoulder Rivet Male
5	X9759	1	Gasket
6	X1466B	2	Rubber Washer
7	X9754	2	Screw 1/4-20 x 5/8"
8	X9691	2	Clip Nut
9	X9665	1	Lid
10	X9732	1	HEPA Paper Bag (10 Pk.)
	X9736	1	Closed Mouth Paper Bag (10 Pk.)
	X9738	1	Open Mouth Paper Bag (10 Pk.)
11	X9692A	1	Microcloth Bag With Gasket
12	X9683	1	Inlet Filter
13	X9668	1	Inlet Filter Base
14	X9758	4	Rivet
15	A352-3300	2	Lid Latch
16	01575	4	Washer
17	X9734	3	Cap
18	X9733	3	Cap Base
19	X9713	3	Weldnut
20	X9681	3	Rubber Motor Mount
21	X9688	5	Motor Mounting Bolt
22	X9663 - F	1	Housing With Filter
23	X9079	1	Gasket
24	B395-2000	1	Motor
25	X9684	1	Gasket
26	X9671	1	Motor Mounting Bracket
27	X9669	1	Motor Shield
28	X9690	3	Screw 8-18 x 1/2"
29	X9685	1	Housing Bumper
30	X9682	1	Exhaust Filter
31	X9676	2	Screw 8-18 x 3/4"
32	X9667	1	Exhaust Filter Plate
33	X8257	2	Nyloc Nut
34	X9677	1	Kettle Plug
35	X9748	2	Screw 6-32 x 5/8"

## SCHEMATICS - PARTS LISTS

### BP10S

No.	Part No.	Qty	Description
36	X1075	2	8/32 Threaded Insert
37	X1042	1	Plug Cover
38	X8278	2	Screw 8-32 x 1/2"
39	X9714	1	Power Cord 50' Yellow
40	PD8	1	Strain Relief
41	X8008N	1	Lock Nut 1/2 Steel Conduit
42	X1151	1	Switch Housing Assembly
43	X8271	4	Nyloc Nut
44	X9747	8	Washer
45	X9718	1	Cord Hook
46	X8244-BLK	2	Screw 10-24 x 2"
47	X9746	1	Harness Frame
48	X9670	2	Screw 10-24 x 1-3/4"
49	X8843	2	Bolt 1/4-20 x 1-1/4"
50	02568	2	Washer



## SCHEMATICS - PARTS LISTS

### BP10P

No.	Part No.	Qty	Description
1	X9658	1	Deuter Harness
2	A352-9401	4	Shoulder Rivet Female
3	X9672	2	Tool Holder
4	A352-9402	4	Shoulder Rivet Male
5	X9759	1	Gasket
6	X1466B	2	Rubber Washer
7	X9754	2	Screw 1/4-20 x 5/8"
8	X9691	2	Clip Nut
9	X9665	1	Lid
10	X9732	1	HEPA Paper Bag (10 Pk.)
	X9736	1	Closed Mouth Paper Bag (10 Pk.)
	X9738	1	Open Mouth Paper Bag (10 Pk.)
11	X9692A	1	Microcloth Bag With Gasket
12	X9683	1	Inlet Filter
13	X9668	1	Inlet Filter Base
14	X9758	4	Rivet
15	A352-3300	2	Lid Latch
16	01575	4	Washer
17	X9734	3	Cap
18	X9733	3	Cap Base
19	X9713	3	Weldnut
20	X9681	3	Rubber Motor Mount
21	X9688	5	Motor Mounting Bolt
22	X9663 - F	1	Housing With Filter
23	X9079	1	Gasket
24	B395-2000	1	Motor
25	X9684	1	Gasket
26	X9671	1	Motor Mounting Bracket
27	X9669	1	Motor Shield
28	X9690	3	Screw 8-18 x 1/2"
29	X9685	1	Housing Bumper
30	X9682	1	Exhaust Filter
31	X9676	2	Screw 8-18 x 3/4"
32	X9667	1	Exhaust Filter Plate
33	X9717	1	Sound Damping Foam Ring
34	X8257	2	Nyloc Nut
35	X9677	1	Kettle Plug

## SCHEMATICS - PARTS LISTS

### BP10P

No.	Part No.	Qty	Description
36	X9748	2	Screw 6-32 x 5/8"
37	X1075	2	8/32 Threaded Insert
38	X1042	1	Plug Cover
39	X8278	2	Screw 8-32 x 1/2"
40	X9714	1	Power Cord 50' Yellow
41	PD8	1	Strain Relief
42	X8008N	1	Lock Nut 1/2 Steel Conduit
43	X1151	1	Switch Housing Assembly
44	X8271	4	Nyloc Nut
45	X9747	8	Washer
46	X9718	1	Cord Hook
47	X8244-BLK	2	Screw 10-24 x 2"
48	X9746	1	Harness Frame
49	X9670	2	Screw 10-24 x 1-3/4"
50	X8843	2	Bolt 1/4-20 x 1-1/4"
51	02568	2	Washer
52	X1674	2	Screw 1/4-20 x 1/2"
53	X9699	1	Lever
54	X9695	1	Gasket