

Powr-Flite[®]

COMMERCIAL FLOOR CARE EQUIPMENT

Operator's Manual

Light Weight Upright Vacuum

Model PF60EC, PF60VC, PF61EC and PF61VC



**READ ALL
INSTRUCTIONS BEFORE
USING THIS APPLIANCE**

SAVE THESE INSTRUCTIONS

3101 Wichita Court • Fort Worth, Texas 76140-1710
Call Toll-Free (800) 880-2913 • Fax (817) 551-0719

CONGRATULATIONS!

You have purchased a vacuum cleaner that will provide years of efficient, dependable service. Your Powr-Flite Vacuum Cleaner is made using high quality materials and superior workmanship. Please read these operating instructions carefully before you use your cleaner to assure the full performance and satisfaction it offers.

VACUUM CLEANER LIMITED WARRANTY

Your vacuum cleaner is warranted for 1 year to be free of manufacturing defects due to imperfections in workmanship and materials and 2 years on the hood and base.

Your Authorized Dealer will provide warranty service for your vacuum cleaner during the warranty period as follows:

- Parts:** New or comparable rebuilt parts will be provided in exchange for defective parts excluding the following items which require normal replacement and are not covered by this warranty: disposable dust bags and agitator brushes.
- Labor:** Carry-in warranty service will be provided during the warranty period by taking your vacuum cleaner to any Authorized Powr-Flite Dealer.
- Exclusions:** This warranty covers normal use and does not cover damage which occurs in shipment or failure resulting from alteration, accident, misuse, abuse, neglect, adjustment of customer controls or improper maintenance.

A purchase receipt or other proof of date of original consumer purchase is given when a new vacuum cleaner is purchased from an Authorized Powr-Flite Dealer.

IMPORTANT SAFETY INSTRUCTIONS

READ ALL INSTRUCTIONS BEFORE USING THIS APPLIANCE

When using an electrical appliance, basic precautions should always be followed.

WARNING - *To reduce the risk of fire, electric shock or injury:*

1. Do not leave appliance when plugged in. Unplug from outlet when not in use and before servicing.
2. **WARNING: ELECTRIC SHOCK COULD OCCUR IF USED OUT-DOORS OR ON WET SURFACES.**
3. Do not allow to be used as a toy. Close attention is necessary when used by or near children.
4. Use only as described in this manual. Use only manufacturer's recommended parts.
5. Do not use with damaged cord or plug. If appliance is not working as it should, has been dropped, damaged, left outdoors, or dropped into water, return it to your Authorized Powr-Flite Dealer.
6. Do not pull or carry by cord, use cord as a handle, close a door on cord, or pull cord around sharp edges or corners. Do not run appliance over cord. Keep cord away from heated surfaces.
7. Do not unplug by pulling on cord. To unplug, grasp the plug, not the cord.
8. Do not handle plug or appliance with wet hands.
9. Do not put any object into openings. Do not use with any opening blocked; keep free of dust, lint, hair and anything that may reduce air flow.
10. Keep hair, loose clothing, fingers and all parts of body away from openings and moving parts.
11. Do not pick up anything that is burning or smoking, such as cigarettes, matches or hot ashes.
12. Do not use without dust bag and/or filters in place.
13. Turn off all controls before unplugging.
14. Use extra care when cleaning on stairs.
15. Do not use to pick up flammable or combustible liquids such as gasoline or use in areas where they may be present.
16. Do not attempt to service the unit while appliance is plugged in.
17. Do not suck up water or any other liquid.

FOR BEST PERFORMANCE

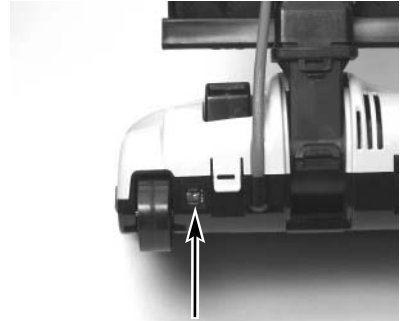
- Keep machine clean and in good operating condition.
- Change filter bags as recommended to maximize optimal cleaning efficiency.
- Always use genuine filter bags and replacement parts. Use of other products may result in poor cleaning performance and potential vacuum cleaner damage and may void vacuum warranty. Genuine filtration products are designed for maximum cleaning performance.
- Have machine checked periodically by your Authorized Powr-Flite Dealer.
- Use only authorized service centers for parts or service.
- Store machine carefully in dry area.
- For optimum cleaning performance and safety, study and follow your owner's manual.

SAVE THESE INSTRUCTIONS

HOW TO RESET THE CIRCUIT BREAKER

Your vacuum features a circuit breaker to protect the machine against damage due to a surge in the electrical current. Electrical surging can be a result of, though not limited to, a jammed brushroll (i.e. vacuuming up a sock or throw rug) or a jammed motor fan.

Should your vacuum cleaner experience a jammed brushroll with the circuit breaker tripping, first press the on/off button to the off position and unplug the unit. Inspect the brushroll by removing the bottom plate (see “How to Remove Bottom Plate”) and remove any debris which may be causing the jamming. Reinstall the bottom plate, reset the circuit breaker, plug in



*Circuit Breaker
Reset Button*

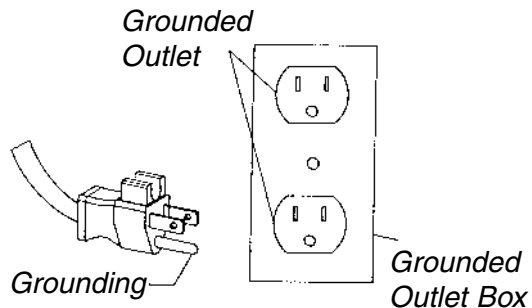
power cord and turn unit on. If the unit fails to turn on, return it to an authorized service center for service.

GROUNDING INSTRUCTIONS

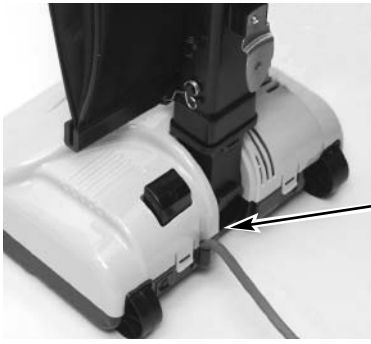
This appliance must be grounded. If it should malfunction or break down, grounding provides a path of least resistance for electric current to reduce the risk of electric shock. This appliance is equipped with a cord having an equipment-grounding conductor and grounding plug. The plug must be plugged into an appropriate outlet that is properly installed and grounded in accordance with all local codes and ordinances.

This appliance is for use on a nominal 120 volt circuit and has a ground plug (see illustration, right). Make sure that the appliance is connected to an outlet having the same configuration as the plug. No adapter should be used with this appliance. **WARNING** - Improper connection of the equipment-grounding conductor can result in a risk of electric shock. Check with a

qualified electrician or service person if you are in doubt as to whether the outlet is properly grounded. Do not modify the plug provided with the appliance – if it will not fit the outlet, have a proper outlet installed by a qualified electrician.



ON / OFF SWITCH



The on/off switch is located on the back side of the nozzle to the left of the handle tube.

To turn the vacuum cleaner on, simply press the switch with your foot. To stop the vacuum cleaner, press the switch with your foot. Turn the vacuum cleaner off before unplugging from the electrical outlet.

AUTOMATIC CARPET HEIGHT ADJUSTMENT

Your upright vacuum cleaner is designed with an automatic, self-adjusting rug nozzle. No manual adjustments are required. The height of the nozzle is instantly and automatically adjusted to the carpet pile height. This self adjusting feature allows the rug nozzle to float evenly over all carpet pile surfaces.

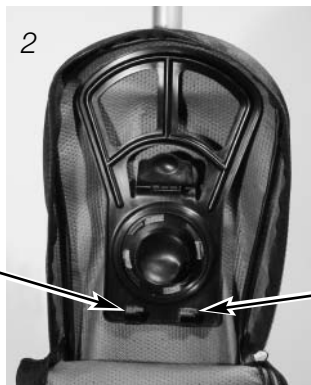
HOW TO CHANGE THE VACUUM BAG

Unzip outer cloth bag. Remove used bag by depressing bag clip. (diagram 1). Discard used bag.

To install new bag, grasp filter bag collar and insert into the bag hinges. (diagram 2) With bag collar on lower hinges, simply push the bag into position until the collar "snaps" into the bag clip. Zip the outer cloth bag closed.



BAG CLIP



BAG HINGE

BAG HINGE

EDGE CLEANER

The edge cleaning feature provides improved cleaning of carpets near walls and stationary furniture. For maximum edge cleaning, place the left side of the nozzle against the wall or stationary furniture.

HOW TO CHANGE THE BELT

Caution: First, unplug the vacuum cleaner from the electrical outlet.

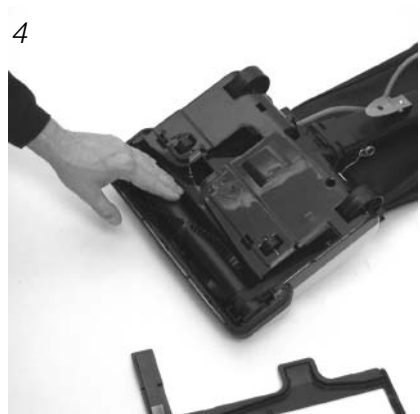
Turn the unit over and remove the bottom plate. Remove the brushroll and the worn or broken belt from the brushroll pulley and the motor drive shaft. (diagram 3)

Loop the new belt around the motor drive shaft and the brushroll. (diagram 5)

Reinstall the brushroll back into the housing. Turn the brushroll by hand, making

sure the belt is not twisted and all rotating parts move smoothly. (diagram 4) Reinstall the bottom plate.

NOTE: To ensure maximum cleaning efficiency, the belt should be checked regularly to be sure it is in good condition. Check to see if the belt is stretched, cracked, or if excessive slipping has occurred. Replace if needed.



HOW TO REMOVE / INSTALL THE BOTTOM PLATE

To remove bottom plate:

Caution: First, unplug the vacuum cleaner from the electrical outlet.

After unplugging the power cord, turn the vacuum cleaner over, exposing the underside. Press the two holding tabs inwards (diagram 6) releasing the bottom plate. Remove the bottom plate.

To install bottom plate:

Install bottom plate making sure bottom plate hinges are in place before setting the plate. (diagram 7) Press plate into position until the plate "clicks".

6



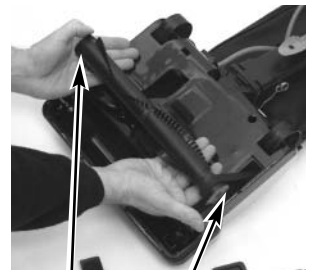
7



HOW TO CHANGE POSITION OF THE BRUSHROLL

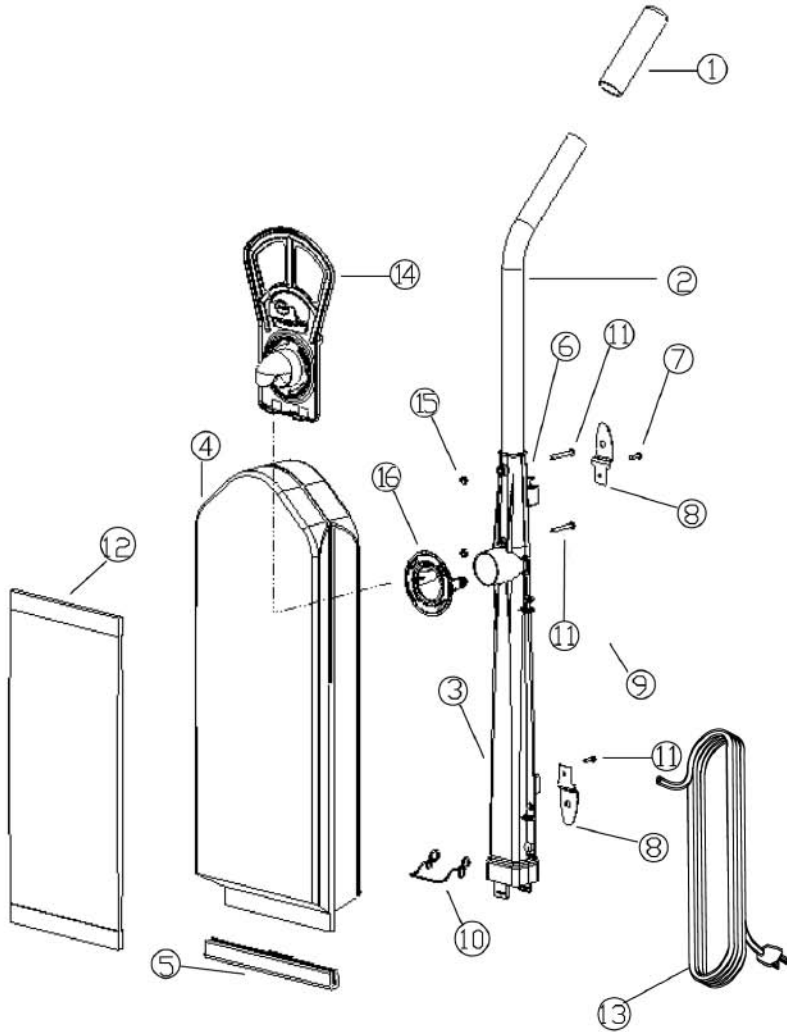
The Light Weight Vacuum features a two position brushroll for money saving efficiency. The brushroll will be initially installed in the "first" position. To place the brush roll in the first position, the straight edge of the ends of the brushroll should be facing up with the rounded edge inserted into the vacuum.

When the bristles on the brushroll are worn and the vacuum is not performing at 100% efficiency, the brushroll may be moved into the "second" position, allowing closer contact of the bristles to the floor surface. To place the brush roll in the second position, the rounded edge of the ends of the brushroll should be facing up with the straight edge inserted into the vacuum.



*Brushroll
Edges*

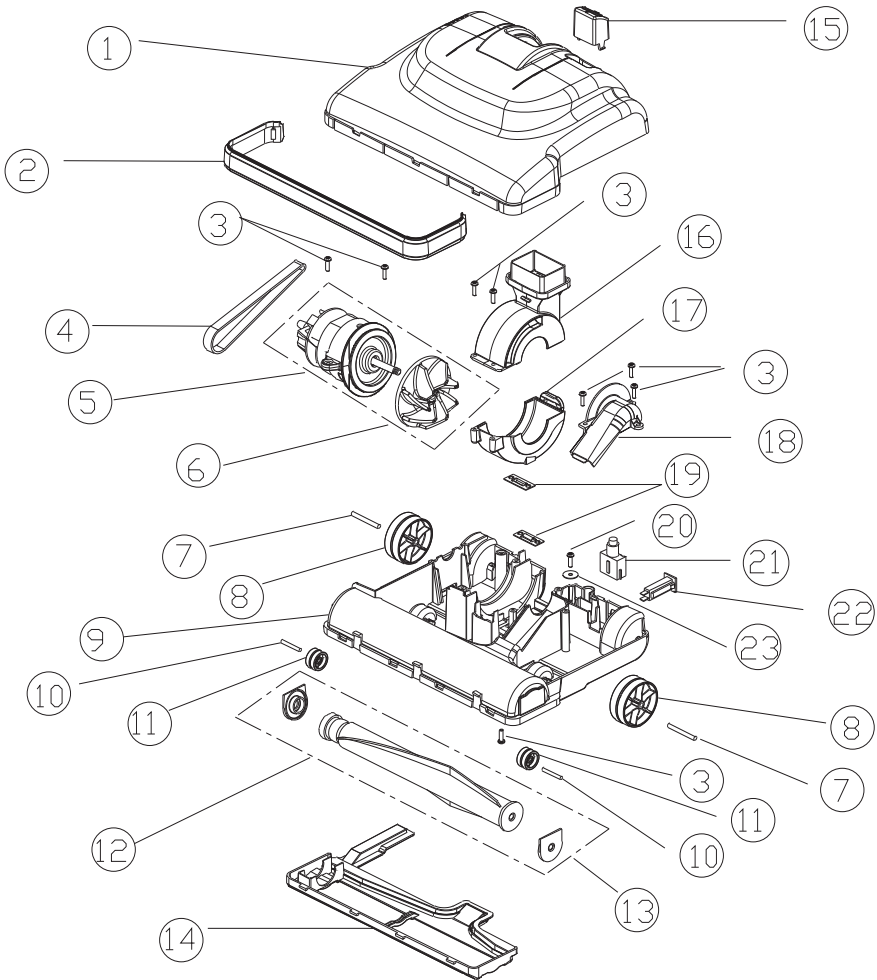
HANDLE ASSEMBLY



ref#	order	description
1	B431-2314	Handle Grip
2	B431-2406	Handle Tube Metal
3	B431-2714	Handle Lower-duct
4	G661	Cloth Bag EC models
	G660	Cloth Bag VC models
5	B211-1014	Lower Bag Clip
6	B431-2914	Handle Tube Bracket
7	A732-8305	Screws (#8-18 x 5/8)
8	B430-0905	Cord Hook

ref#	order	description
9	B211-0904	Bag Collar Clip
10	B211-1204	Lower Bag Spring
11	A432-0705	Screw Phillip (#8-18 x 1)
12	260PB	Paper Bag 6pk
13	A434-1213	Power Cord 35'
	A434-1113	Power Cord 50'
14	B211-2114	Bag nozzle
15	A432-0805	Handle screws
16	B211-2214	Outer bag clip

NOZZLE ASSEMBLY



ref#	order	description
1	B017-2140	Nozzle Housing
2	B029-0314	Furniture Guard
3	A732-8305	Screws (#8-18 x 5/8)
4	L60A	Belt
5	C113-0800	Motor Assembly
6	B123-3000	Motor Fan
7	B010-1011	Large Wheel Axle
8	B010-1314	Rear Wheel
9	B016-1014	Base Tray
10	B010-0001	Base Plate Wheel Axle
11	B010-0614	Base Plate Wheel
12	B012-2800	Wood Agitator w/End Caps

ref#	order	description
13	B012-2914	End Caps
14	B015-2014	Base Plate Cover
15	B028-0014	Foot On/Off Pedal
16	B123-3114	Upper Fan Housing
17	B123-3214	Lower Fan Housing
18	B123-3314	Fan Duct Cover
19	B016-1004	Upright Stops
20	A732-2500	Combination Screw (m4 x 12)
21	A028-0014	On/Off Switch
22	A028-0114	Circuit Breaker
23	B017-2114	Strain Relief Washer Power

POWR-FLITE LIMITED WARRANTY

Powr-Flite will repair or exchange parts for your Light Weight vacuum cleaner in the event of a manufacturing defect as follows:

PARTS: New or comparable rebuilt parts, for one year after original purchase. The following items that require normal replacement are excluded: disposable dust bags, belts, light bulbs and agitator brushes.

LABOR: Carry-in service can be obtained during the warranty period by taking your vacuum cleaner to an Authorized Powr-Flite Warranty Service Center.

IMPORTANT WARRANTY CONDITIONS: A purchase receipt or other proof of date of original con-

sumer purchase also will be required before warranty service is rendered.

This warranty covers normal use and does not cover damage which occurs in shipment or failure resulting from alteration, accident, misuse, abuse, neglect, or improper maintenance.

STATEMENT: This warranty is not transferable and extends only to the original purchaser when a new Powr-Flite Vacuum Cleaner is purchased from an Authorized Powr-Flite Dealer. This warranty gives you specific legal rights, and you may have other rights that vary from state to state.

OWNER'S WARRANTY INFORMATION (KEEP FOR YOUR OWN RECORDS)

Date of purchase: _____

Serial number: _____

Purchased from, Dealer name: _____

Address: _____

City, State, Zip: _____

Telephone: _____

Owner's Information:

Name: _____

Company Name: _____

Address: _____

City, State, Zip: _____

Telephone: _____

SAVE THESE INSTRUCTIONS

Powr-Flite
COMMERCIAL FLOOR CARE EQUIPMENT

A Tacony Company

3101 Wichita Court • Fort Worth, Texas 76140-1710
Call Toll-Free (800) 880-2913 • Fax (817) 551-0719