

# **Powr-Flite<sup>®</sup>**

**COMMERCIAL FLOOR CARE EQUIPMENT**

---

**Commercial Canister Vacuum**

---

## **Model PF6/PF6H and PF9/PF9H OWNERS MANUAL**



**IMPORTANT**  
**READ THESE INSTRUCTIONS AND RETAIN FOR FUTURE REFERENCE**

**WARNING**

**To reduce risk of fire, electric shock, or injury:**

- **Do not** use outdoors or on wet surfaces.
- **Do not** leave vacuum cleaner unattended when plugged in. Turn off the switch and unplug the electrical cord when not in use and before servicing.
- **Do not** allow to be used as a toy. Close attention is necessary when used by or near children.
- Use only as described in this manual. The use of accessories which have not been approved or supplied by the manufacturer may be dangerous.
- **Do not** use with damaged cord or plug. If vacuum cleaner is not working as it should, has been dropped, damaged, left outdoors, or dropped into water, return it to a service center before using.
- **Do not** pull or carry by cord, use cord as a handle, close a door on cord, or pull a cord around sharp edges or corners. Do not run vacuum cleaner over cord. Keep cord away from heated surfaces.
- **Do not** use extension cords or outlets with inadequate current carrying capacity.
- Turn off all controls before unplugging.
- **Do not** handle plug or vacuum cleaner with wet hands.
- **Do not** put any objects into openings.
- **Do not** use with any opening blocked, keep free of dust, lint, hair, and anything that may reduce airflow.
- This vacuum cleaner creates suction. Keep hair, loose clothing, fingers, and all parts of body away from openings.

- **Do not** pick up anything that is burning or smoking, such as cigarettes, matches or hot ashes. Do not use without dust bag in place. Use extra care when cleaning on stairs. Do not use to pick up flammable or combustible liquids such as gasoline, or use in areas where they may be present.
- Store your cleaner indoors in a cool, dry area.
- **Do not** unplug by pulling on cord. To unplug, grasp the plug,  
**NOT THE CORD.**

**THIS MODEL IS GROUNDED,  
CONNECT TO A PROPERLY  
GROUNDED OUTLET ONLY  
SEE GROUNDING INSTRUCTIONS.**

**GROUNDING INSTRUCTIONS**

This appliance must be grounded. If it should malfunction or breakdown, grounding provides a path of least resistance for electric current to reduce the risk of shock. This appliance is equipped with a cord having an equipment-grounding conductor and grounding plug. The plug must be inserted into an appropriate outlet that is properly installed and grounded in accordance with all local codes and ordinances.

**WARNING** - Improper connection of the equipment-grounding conductor can result in a risk of electric shock. Check with a qualified electrician or service person if you are in doubt as to whether the outlet is properly grounded. Do not modify the plug provided with the appliance - if it will not fit the outlet, have a proper outlet installed by a qualified electrician.

**Note:** In Canada, the use of a temporary adapter is not permitted by the Canadian Electrical Code.

## SAFETY PRECAUTIONS

- Do not vacuum water or liquids.
- Do not vacuum up hard or sharp objects, as they may damage the hose, vacuum bag or the vacuum motor.
- Do not drop the vacuum on the floor.
- Do not operate the vacuum while it is standing on high-pile carpet. It is essential that the exhaust airflow is not restricted.
- Do not wash or launder the cloth vacuum bag. It would destroy the filtration capacity of the fabric.
- Do not kink or twist the power cord.
- Do not attempt to service the vacuum yourself. Repair by anyone other than an authorized repair service may void the warranty.

## ASSEMBLY

Carefully check carton to signs of damage. Report damages at once to carrier.

Unpack the machine and check machine for completeness. Check the cord plug installed corresponds to your wall outlet.

1. Pass the power cord through the power cord pull reliever. (see photo below)
2. Insert the hose into the machine



## OPERATION

Note: this machine is suitable for voltages from 110-120 AC/60 Hz.

2. Plug the power cord into a receptacle. This vacuum is equipped with an on/off switch with a light indicator. The switch should light after it receives mains voltage. If this does not happen, check the power cord, or change the main power cord.
3. Turn on the on/off switch. The vacuum motor will start.

4. Clean the carpet without pressing down; the vacuum cleaner will work best if excessive pressure is not applied to the carpet.

## BAG REMOVAL

1. Take the hose out of the hose connection.
2. Open the vacuum cleaner by releasing the latch mechanism.



3. Vacuum bags are self-sealing to prevent dust from escaping into the air. Pull the dust release tab on the bag to the full top position to close the vacuum bag.



4. Fold the ends of the vacuum bag together and carefully remove the bag from the holder.



5. Place the full bag in the trash.
6. Replace a new bag immediately.

## BAG REPLACEMENT

1. Place a new dust bag as far inside the holder as possible on the inlet opening of the tank inlet. Push down the upper edge of the bag so that it does not get caught in the latching arrangement. The bag should be placed around the outside of the housing to allow room for the filter and motor. (Bags cannot be placed in the holder upside down. If the bag does not fit properly, turn it over and insert it again.)

2. Close the latch and make sure the catch closes properly.

## REPLACING THE OUTLET FILTER

1. Turn latch to allow removal of the filter cartridge.



2. Take the filter cartridge out of the vacuum cleaner. (see photo below)



3. Remove the filter by opening the cartridge.
4. Check the filter, replacing if necessary. Do not attempt to clean the filter.
5. Put the new filter in the holder and replace it in the machine.



6. Turn the latch to make sure the filter cartridge is firmly in place.

**WARNING:** Do not knock the filter against hard surfaces.

Note: filter should be changed every 50 paper bags.

## REPLACING THE MOTOR FILTER

1. Slide the filter from the motor housing to remove.



2. Place the new filter in place and push down, securing the filter in place.



**WARNING:** Do not use the machine if no filter has been installed.

Note: filter should be changed every 10-20 paper bags.

## ROUTINE MAINTENANCE

Authorized personnel should always perform maintenance. The machine must be inspected each year in accordance with locally applicable safety standards.

**WARNING:** Voltage is dangerous. Electrical shocks can be fatal. Remove the plug from the plug socket when you carry out maintenance activities on the machine.

### Weekly

1. Check the vacuum bag to see if it is full. Replace as necessary.
2. Clean the outer surface of the machine with a dust cloth. A damp cloth may be used with a gentle-action cleanser.

### Monthly

1. Check and clean the filter in the inlet opening of the suction motor.

### Annually

1. Check carbon brushes in the vacuum motor and the brush motor for wear. Replace as necessary.

## OVERHEATING

The temperature of the vacuum motor is measured constantly. If the temperature becomes too high, the sensor will switch off the suction motor. Check whether the suction system is blocked. The sensor will automatically be switched on again after the sensor and the motor have cooled down sufficiently. The machine may be restarted at that time.

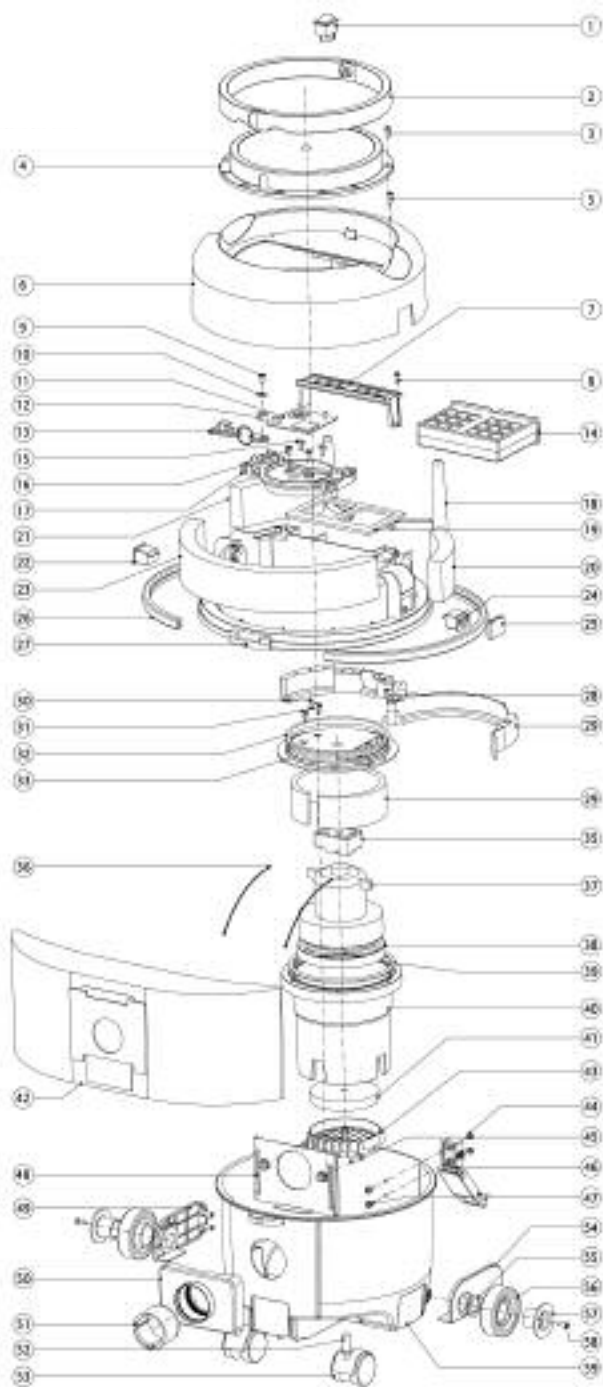
## STORING THE MACHINE

The machine must be stored in a dry place. Make sure that the hose is not pinched or squeezed.

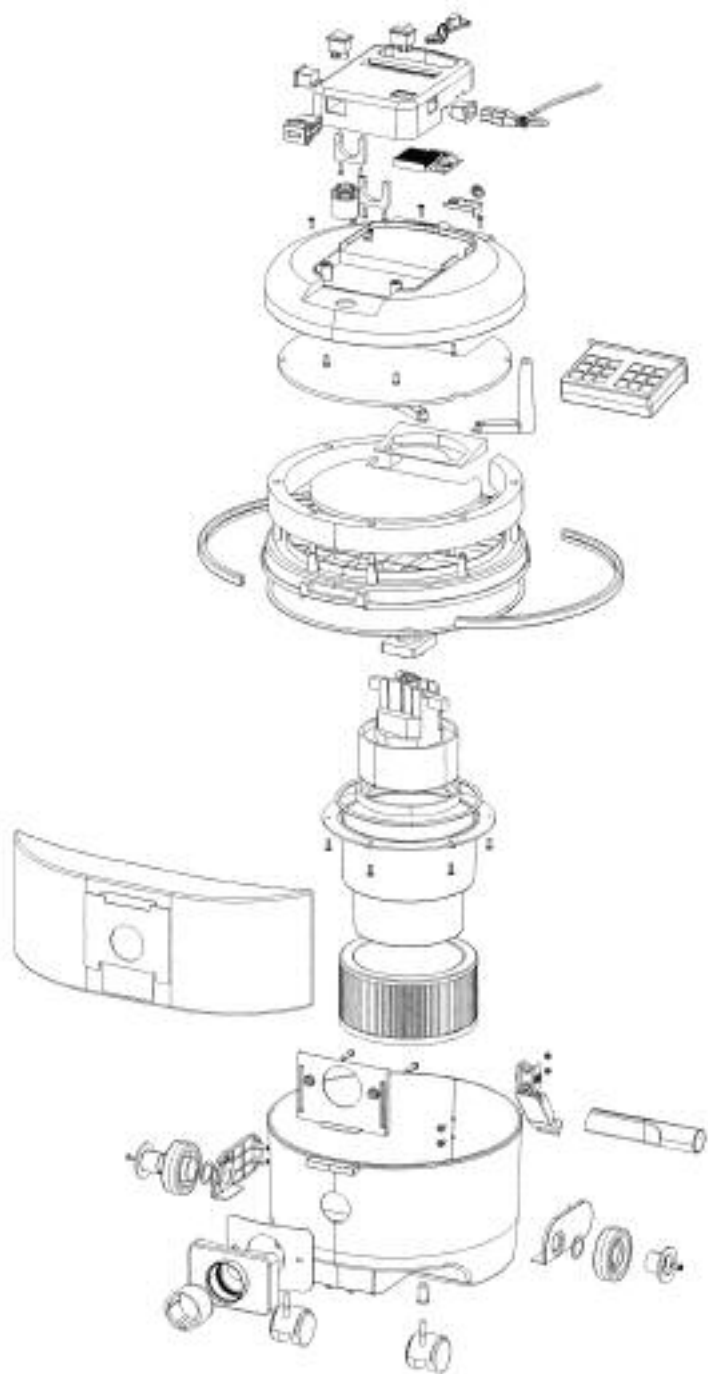
## CANISTER VAC PARTS LIST

ref#	part #	description	ref#	part #	description
1		CABLE	61	CM9	REAR CASTER BLACK
1		CORD CONNECTOR 3-POLE	62	CM10	SOCKETS DOUBLE CASTER
2		TERMINAL POWER CONN. 12 POLE	63	CM11E	CASTER DOUBLE 50MM RUBBER/B\NY
5		MOTOR VAC	64		GASKET HOSE CONN COMP EPDM CEL
6		SUPPRESSOR RFI	70		PAPER BAG INLET CONNECTOR BLACK
25		CARRY HANDLE	71a		HOSE CONN COMP
26	CM3	SWITCH 4-P. LIGHT	71b		CAN CONNECTOR BLACK
27	CM4	SWITCH PA	72	CM12	HOSE ASSEMBLY
28		RECEPT INLET 2 POLE	80	CM13	WAND
32		CABLE HOOK BLACK	81	CM14	FLOOR TOOL
33	CM5	FILTER CASSETTE ASSEMBLY	82	CM15	CREVICE TOOL
34		TOPCOVER	85	CM2	PAPER BAG
35		BLOCK/CLIP FILTER CASSETTE	87		30 DEGREE BEND
36		WAND LOCKER	89		MANUAL
40		MOTOR COVER	100		SCREW PT WN1412KB60X20 COMP.
41		MOTOR GASKET COMP BOTTOM/LARGE	101		SCREW 5x14
41		MOTOR GASKET COMP TOP /SMALL	101		WARNING STICKER
42	CM6	GASKET ROUND 08MM FOR COVER	102		STICKER CARD
43		BUMPER EPDM 60/5 SHORE A GREY	102		SCREW M5 X 12
44		CABLE RESTRAIN ASSEMBLY	103		NUT M5 NYLON
47		GASKET ROUND 06MM FOR MOTOR	105		SCREW /PARKER 2.9x16
49		MOTOR HOUSING BLACK	106		SCREW 4 X 16
52	CM7	CARTRIDGE FILTER	110	CM16	GASKET FILTER CASSETTE
53		PAPER BAG HOLDER BLACK	111	CM17	FELT TOP
54		CAN/TUB	112	CM18	FELT MOTORBASE 0 ROUND X -Y
55		CLIP ASSEMBLY	113	CM19	FOAM SIDE FORM.
56		STORAGE CLIP/FIXTURE BLACK	114	CM20	FELT MOTOR HOUSING X-Y
56		STORAGE CLIP/FIXT LEFT	ED		WIRE BROWN 1 MM 2 220 MM
57		SHIM RING 0 26	ED		WIRE BLACK 0,75 MM2 310 MM OEP
60	CM8	REAR CASTER BEARING BLACK	ED		WIRE BLUE 160 S/S
			ED		WIRE BROWN 1 MM2 150 M F/F/

# PF6/PF6H EXPLODED VIEW



## PF9/PF9H EXPLODED VIEW



# Model PF6/PF6H and PF9/PF9H OWNERS MANUAL

## *The Powr-Flite Limited Warranty*

The manufacturer warrants to the original purchaser that products manufactured are free from defects, provided such goods are installed, operated and maintained in accordance with written manuals or other instructions for a period of 1 year from date of purchase on workmanship, motor, and parts.

