

# **Powr-Flite**<sup>®</sup>

**COMMERCIAL FLOOR CARE EQUIPMENT**

**Two-Motor Commercial Upright Vacuum**

## **Model PF14 and PF18 OWNERS MANUAL**



**IMPORTANT**  
**READ THESE INSTRUCTIONS AND RETAIN FOR FUTURE REFERENCE**

---

**WARNING**

**To reduce risk of fire, electric shock, or injury:**

- **Do not** use outdoors or on wet surfaces.
- **Do not** leave vacuum cleaner unattended when plugged in. Turn off the switch and unplug the electrical cord when not in use and before servicing.
- **Do not** allow to be used as a toy. Close attention is necessary when used by or near children.
- Use only as described in this manual. Use only manufacturer's recommended attachments.
- **Do not** use with damaged cord or plug. If vacuum cleaner is not working as it should, has been dropped damaged, left outdoors, or dropped into water, return it to a service center before using.
- **Do not** pull or carry by cord, use cord as a handle, close a door on cord, or pull a cord around sharp edges or corners. Do not run vacuum cleaner over cord. Keep cord away from heated surfaces.
- **Do not** use extension cords or outlets with inadequate current carrying capacity.
- Turn off all controls before unplugging.
- **Do not** handle plug or vacuum cleaner with wet hands.
- **Do not** put any objects into openings. **Do not** use with any opening blocked, keep free of dust, lint, hair, and anything that may reduce airflow.
- This vacuum cleaner creates suction. Keep hair, loose clothing, fingers, and all parts of body away from openings.

- **Do not** pick up anything that is burning or smoking, such as cigarettes, matches or hot ashes. Do not use without dust bag in place. Use extra care when cleaning on stairs. Do not use to pick up flammable or combustible liquids such as gasoline, or use in areas where they may be present.
- Store your cleaner indoors in a cool, dry area.
- **Do not** unplug by pulling on cord. To unplug, grasp the plug,  
**NOT THE CORD.**

**THIS MODEL IS GROUNDED, CONNECT TO A PROPERLY GROUNDED OUTLET ONLY**  
**SEE GROUNDING INSTRUCTIONS.**

**GROUNDING INSTRUCTIONS**

This appliance must be grounded. If it should malfunction or breakdown, grounding provides a path of least resistance for electric current to reduce the risk of shock. This appliance is equipped with a cord having an equipment-grounding conductor and grounding plug. The plug must be inserted into an appropriate outlet that is properly installed and grounded in accordance with all local codes and ordinances.

**WARNING** - Improper connection of the equipment-grounding conductor can result in a risk of electric shock. Check with a qualified electrician or service person if you are in doubt as to whether the outlet is properly grounded. Do not modify the plug provided with the appliance - if will not fit the outlet, have a proper outlet installed by a qualified electrician.

**Note:** In Canada, the use of a temporary adapter is not permitted by the Canadian Electrical Code.

## SAFETY PRECAUTIONS

- Do not vacuum water or liquids.
- Do not vacuum up hard or sharp objects, as they may damage the hose, vacuum bag or the vacuum motor.
- Do not drop the vacuum on the floor.
- Do not operate the vacuum while it is standing on high-pile carpet. It is essential that the exhaust airflow is not restricted.
- Do not kink or twist the power cord.
- Do not attempt to service the vacuum yourself. Repair by anyone other than an authorized repair service may void the warranty.

## ASSEMBLY

Carefully check carton to signs of damage. Report damages at once to carrier.

Unpack the machine and check machine for completeness according to the packing list. Check the cord plug installed corresponds to your wall outlet.

1. Install handle by sliding it into the opening in the top of the bag housing until it bottoms out. Install and tighten with the thumbscrew.
2. Install the hose by pushing one end into the top of the bag housing. Push the other end into the wand.
3. Make sure the dust bag is installed. For instructions refer to the DUST BAG REMOVAL AND INSTALLATION.
4. Snap the upholstery tool and crevice tool into the option mount.
5. Plug the cord pigtail into the outlet at the back of the vacuum housing.
6. Plug power cord into outlet at top of housing (next to handle). The power switch will glow when cord is connect to a wall outlet correctly.

## OPERATION

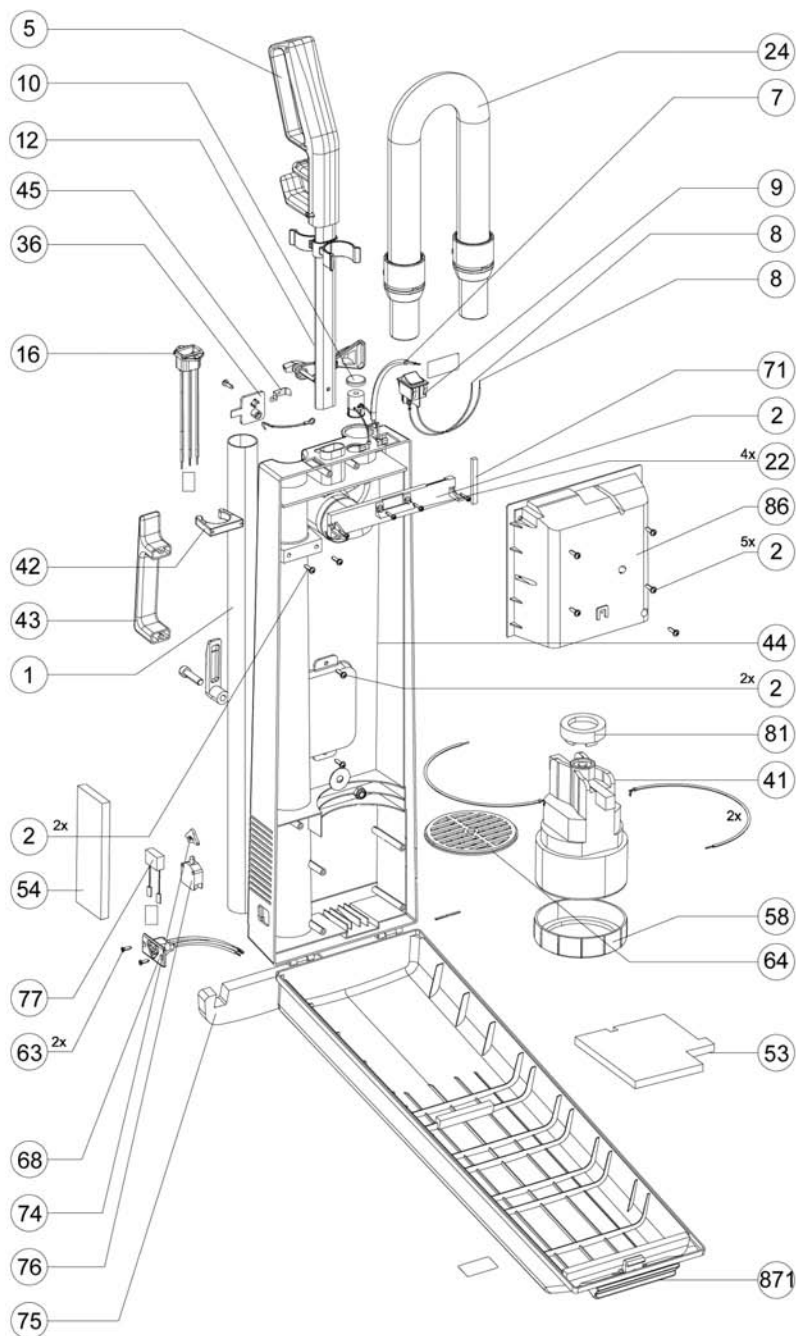
Note: this machine is suitable for voltages from 110-120 AC/60 Hz.

1. Check to ensure a dust bag is installed. Replace bag if needed.
2. Check brush area for any thread, string or debris that may be wrapped around the brush.
3. Plug the power cord into a receptacle.
4. Adjust the brush height knob to suit the carpet thickness.
5. Turn the main power switch on. The vacuum fan motor will turn.
6. While holding the handle depress the red release and lower the handle to a convenient operating position. When the handle is lowered the brush motor will start turning.
7. Clean the floor using normal vacuuming procedure.
8. For cleaning with wand, remove the wand by snapping it out of the retainer clip and pulling it from its inlet. The brush motor will stop automatically.
9. Attach tools and clean as you like.

## BAG REMOVAL

1. Your machine has a red full bag light which comes on when the airflow is obstructed, indicating the dust bag is full.
2. If the light comes on, switch off the machine, unplug the cord and check the dust bag. If the bag is not full, there is an obstruction somewhere in the system.
3. To remove the bag, open the bag housing by pushing the door latch. Fold the ends of the dust bag together and carefully remove the bag.
4. To install a new dust bag, push the bag into the inlet of the vacuum intake as far as it will go. Fold the top down so it will not interfere with the door latch.
5. Close the door, ensuring that it latches properly.

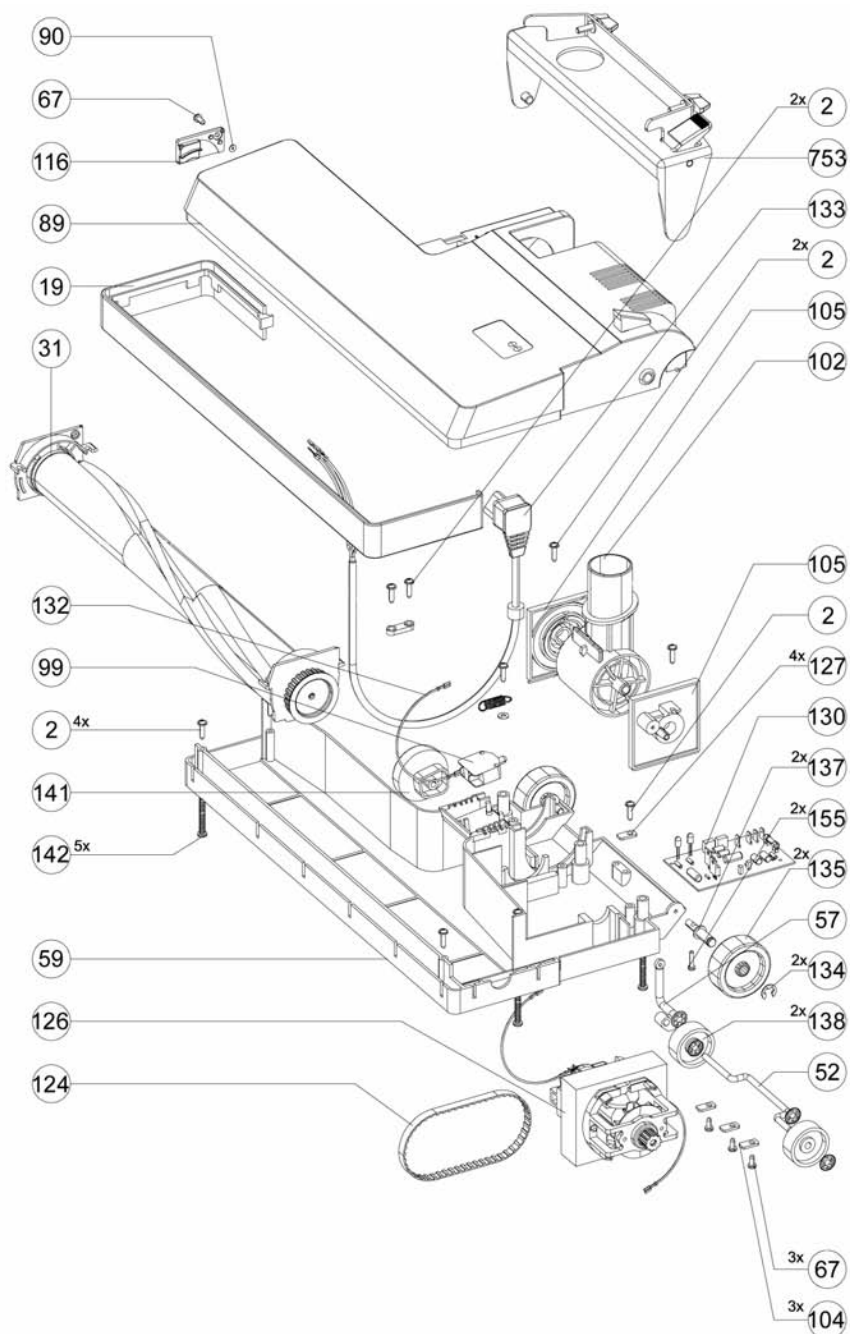
## PF14-18 Upper Housing



ref#	order	description
1	<b>TB1</b>	wand
2	<b>TB2</b>	screw, 4x16
3	<b>TB3</b>	screw, 3.5x18
4	<b>TB4</b>	screw, 3.5x25
5	<b>TB5</b>	handle grip right and left
7	<b>TB7</b>	sleeve
9	<b>TB8</b>	on/off switch
10	<b>TB9</b>	light, full bag indicator
11	<b>TB200</b>	brush/radiator tool holder
12	<b>TBKIT-1</b>	handle assembly kit
	<b>TB11</b>	handle tube only
13	<b>TB12</b>	screw, 5 x 40
16	<b>TB150</b>	strain relief
20	<b>TB14</b>	terminal block
21	<b>TB15</b>	electrical cover
22	<b>TB16</b>	screw 3.5x16
24	<b>TB17K</b>	hose assembly with cuffs
25	<b>TB18</b>	clip
26	<b>TB19</b>	coupling, hose
27	<b>TB20</b>	50' 3-wire electrical cord
28	<b>TB23</b>	latch, cover
31	<b>TB24</b>	upholstery tool
32	<b>TB25</b>	crevice tool
36	<b>TB26</b>	cover
42	<b>TB27</b>	wand lock
44	<b>TBKIT-14</b>	vac housing kit, rear
45	<b>TB30</b>	anti slip clip
52	<b>TB31</b>	clamp
53	<b>TB32</b>	foam, vac motor
54	<b>TB33</b>	filter
55	<b>TB34</b>	latch, shaft
56	<b>TB35</b>	spring
57	<b>TB36</b>	lock, cover
58	<b>TB37</b>	filter holder

ref#	order	description
60	<b>TB38</b>	disc, filter
61	<b>TB39</b>	7" gasket
63	<b>TB40</b>	screw, 3x8
64	<b>TB41</b>	grill, filter
65	<b>TB42</b>	gasket, motor upper
66	<b>TB43</b>	foam, vac motor
67	<b>TB67</b>	screw, 4x10
68	<b>TB151</b>	receptacle pigtail
69	<b>TB68</b>	release, handle
70	<b>TB69</b>	pin
71	<b>TB62</b>	front door seal
72	<b>TB131</b>	main wire 110 volt
73	<b>TB70</b>	decal
74	<b>TB50</b>	actuator switch
75	<b>TB155</b>	door bumper
76	<b>TB51</b>	switch normal open
77	<b>TB52</b>	RFI suppressor
78	<b>TB72</b>	screw, RH, short
79	<b>TB73</b>	screw. LH, long
81	<b>TB53</b>	gasket, motor lower
82	<b>1995H</b>	motor 110V Lamb
	<b>TB153</b>	motor 1000W 120V
83	<b>TB74</b>	plastic cover
84	<b>TB56</b>	thermal cut out
85	<b>TB57</b>	cable protector sleeve
86	<b>TB58</b>	vac motor housing
88	<b>TB59</b>	front cover shaft
89	<b>TB75K</b>	upper housing, 14"
	<b>TB76</b>	upper housing, 18"
90	<b>TB77</b>	cover brush access
96	<b>TB78</b>	latch
98	<b>TB79</b>	plastic, LH ring
99	<b>TB80</b>	micro switch, closed
100	<b>TB81</b>	plastic, RH ring

# PF14-18 Lower Housing



ref#	order	description
101	<b>TB82</b>	felt, TB86A
102	<b>TB83</b>	swivel, intake
103	<b>TB84</b>	screw, 5x18
105	<b>TB86A</b>	swivel guide plate w/o felt
106	<b>TB87</b>	brush pulley
107	<b>TB88</b>	L.H. brush support
108	<b>TB89</b>	ball bearing
116	<b>TB90</b>	cover, brush access
117	<b>TB91</b>	brush strip, 14"
	<b>TB92</b>	brush strip, 18"
119	<b>TB93</b>	roller assembly, 14"
	<b>TB94</b>	roller assembly, 18"
122	<b>TB95</b>	R.H. brush support
123	<b>TB96</b>	pulley, motor
124	<b>TB97</b>	belt
125	<b>TB98</b>	ring, rubber
126	<b>TB99</b>	foam, brush motor
127	<b>TB85</b>	clip
128	<b>TB101</b>	motor, brush 110 V
	<b>TBKIT-10</b>	110 volt brush motor belt kit
130	<b>TB104</b>	control board
133	<b>TB154</b>	cable, pigtail
134	<b>TB156</b>	E-clip
135	<b>TB108</b>	wheel, rear
137	<b>TB109A</b>	rear caster shaft
138	<b>TB110</b>	caster, front
139	<b>TB111</b>	spring
141	<b>TB112</b>	knob
142	<b>TB113</b>	screw, 5x40
143	<b>TB114</b>	14" brush housing
	<b>TB115</b>	18" brush housing
144	<b>TB116</b>	bumper, 14" housing
	<b>TB117</b>	bumper, 18" housing
145	<b>TB118</b>	base plate, 14" housing

ref#	order	description
	<b>TB119</b>	base plate, 18" housing
150	<b>TB120</b>	spring
153	<b>TB60</b>	bag mount fitting
155	<b>TB188</b>	3 x 16 mm screw
160	<b>TB140</b>	brush protector
166	<b>TB122</b>	thermal overload
294	<b>261PB</b>	EC, 10 pk paper bag
753	<b>TB123K</b>	bracket, swivel assembly
871	<b>TB61</b>	door, vac housing
1401	<b>TB124</b>	front caster shaft, 14"

#### NOT ILLUSTRATED

	<b>TB17</b>	hose assembly w/out cuffs
	<b>TB127</b>	cover for socket cover
	<b>TB130</b>	hose, black stretch
	<b>TB133</b>	brush housing upper & lower
	<b>TB136</b>	carbon brush & spring
	<b>TB139</b>	switch housing w felt
	<b>TB141</b>	round dust brush
	<b>TB142</b>	cord hook
	<b>TB143</b>	cloth bag
	<b>TB147</b>	screw for paper bag sensor
	<b>TB148</b>	50' 18/3 yellow cord for new style
	<b>TB150</b>	inlet 3 pin for line cord
	<b>TB151</b>	3 pole connection plug for HEPA units
	<b>TB143</b>	cloth bag
	<b>TB39</b>	gasket, door
	<b>HP1418</b>	HEPA filter
	<b>U2170</b>	carbon assembly, 1995H
	<b>TB109A</b>	rear axle shaft, new style
	<b>JT59</b>	cord end 10a/250v
	<b>TB155</b>	door bumper

# Model PF14 and PF18 OWNERS MANUAL

## *The Powr-Flite Limited Warranty*

The manufacturer warrants to the original purchaser that products manufactured are free from defects, provided such goods are installed, operated and maintained in accordance with written manuals or other instructions for a period of 1 year from date of purchase on workmanship, motor, and parts. In case you, as our customer, meet any trouble with your machine, contact a Powr-Flite representative, who will be happy to be of service to you and will take care of any warranty issues.

***Powr-Flite***  
**COMMERCIAL FLOOR CARE EQUIPMENT**