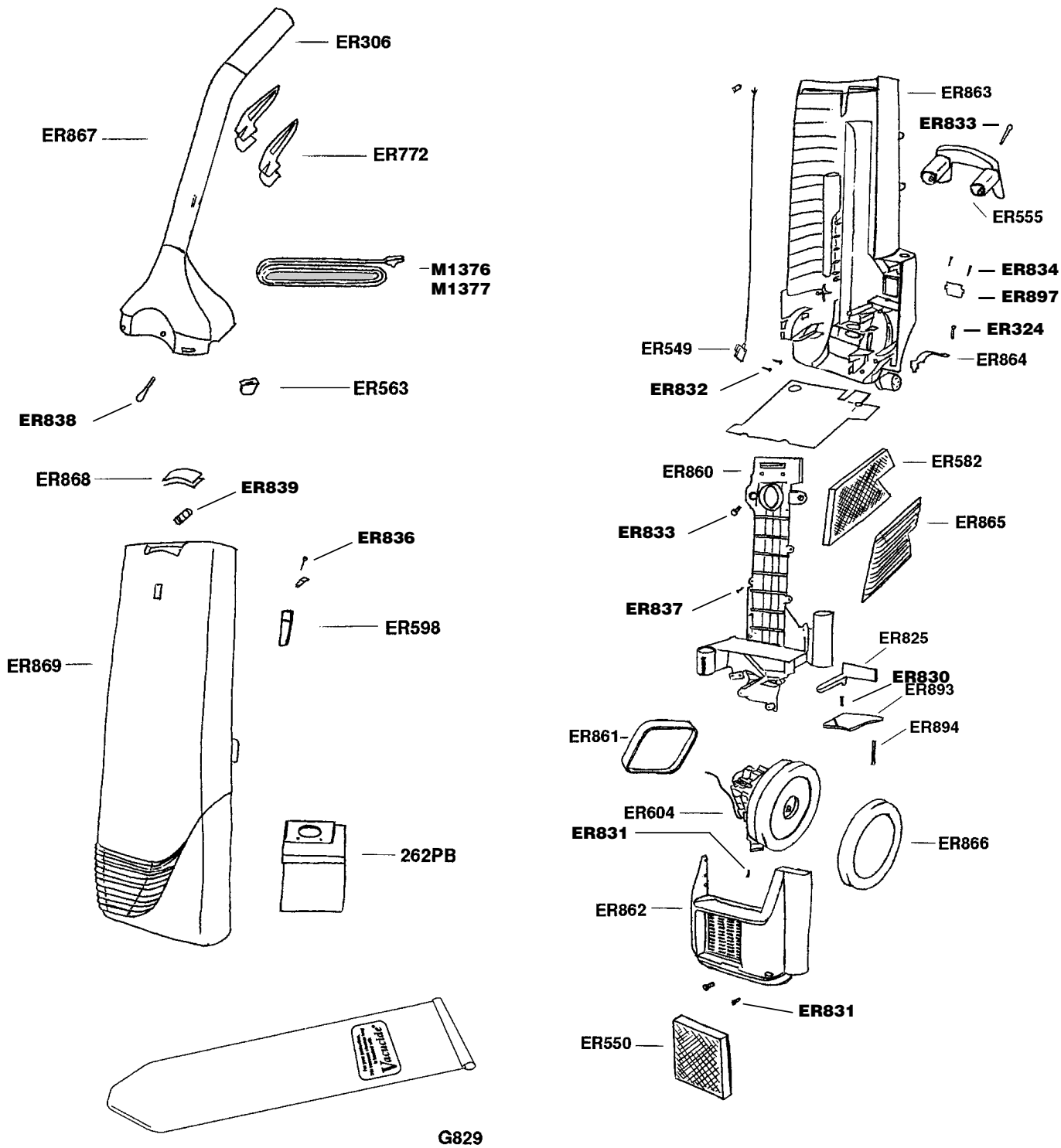


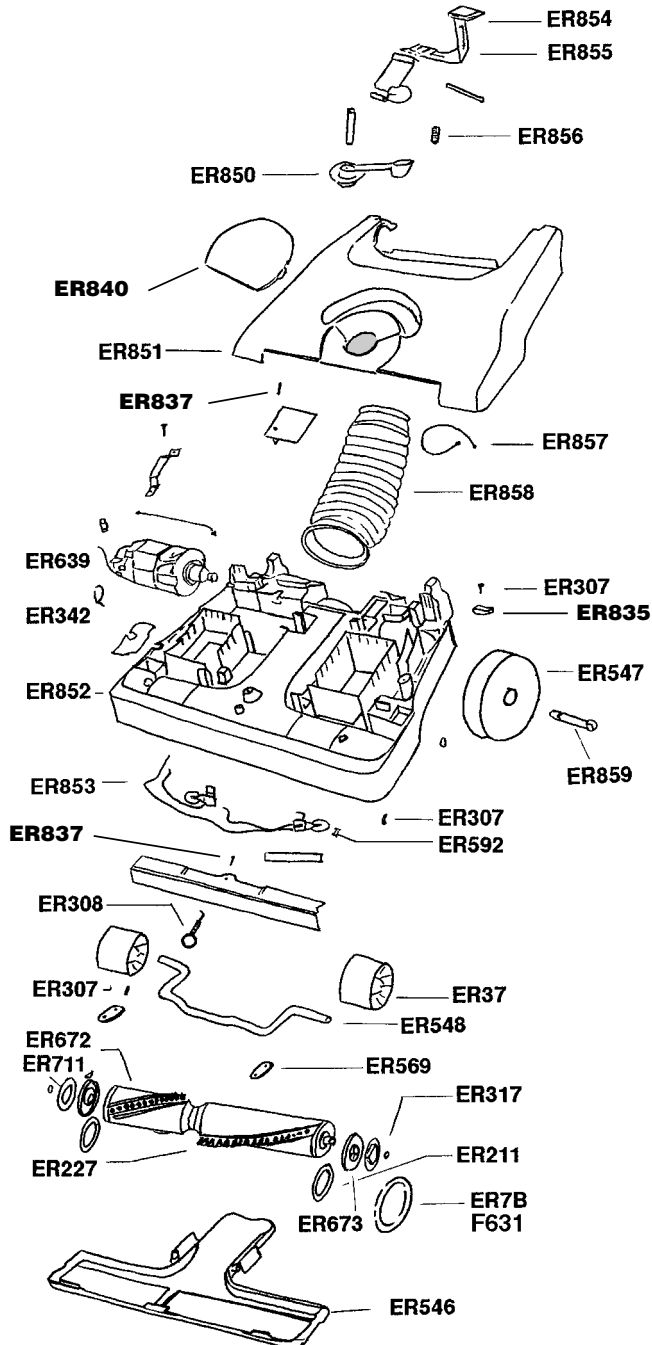
VACUUMS

Parts for PM99 Series



VACUUMS

Parts for PM99 Series



order	description
ER7	belt
ER7B	belt — bulk
F631	heavy duty, long life belt
ER37	front wheel
ER123	dust brush
ER159	straight wand, black
ER179	crevice tool, 8"
M1376	18/3, 50' commercial cord, beige
M1377	18/3, 50' commercial cord, black
ER211	felt washer
ER227	bristle strip package
ER306	handle grip
ER307	screw
ER308	axle spring
ER317	lock nut
ER324	screw, rear housing clamp
ER342	wire tie
ER546	bottom plate
ER547	rear wheel
ER548	front axle
ER549	micro snap switch
ER550	final filter
ER555	carrying handle
ER563	rocker switch
ER569	axle clamp
ER582	filter
ER589	hose with coupling only
ER592	headlight lamp (2 used replace both)
ER598	bag indicator
ER599	hose assembly complete
ER604	motor assembly — suction
ER639	motor assembly, for brush roll
ER672	disturbulator assembly (complete)
ER673	disturbulator cap
ER711	disturbulator cap cover
ER772	hose/cord clip (2)
ER825	diverter valve
ER830	screw, valve door
ER831	screw, motor cover
ER832	screw, bag cover
ER833	screw, dirt chute cover
ER834	screw, access door
ER835	cable clamp
ER836	screw, bag indicator
ER837	screw, pulley cover
ER838	screw, handle
ER839	latch spring
ER840	adjustment cover & graphics
ER850	adjustment lever
ER851	hood & graphics assembly
ER852	base & cam assembly
ER853	lamp socket & harness assembly
ER854	foot pedal cap
ER855	foot pedal
ER856	foot pedal spring
ER857	cable tie
ER858	bellows
ER859	axle
ER860	dirt chute cover
ER861	motor stack gasket
ER862	motor cover
ER863	rear housing
ER864	rear housing assembly clamp
ER865	filter frame
ER866	motor fan gasket
ER867	upper handle assembly
ER868	latch
ER869	bag cover & graphics
ER870	wand with bleeder
ER871	upholstery nozzle, black
ER873	strain relief
ER893	converter arm
ER894	spring, converter arm
262PB	Enviro-Clean®, 3-pak paper bag
G829	original Vacuicide cloth bag