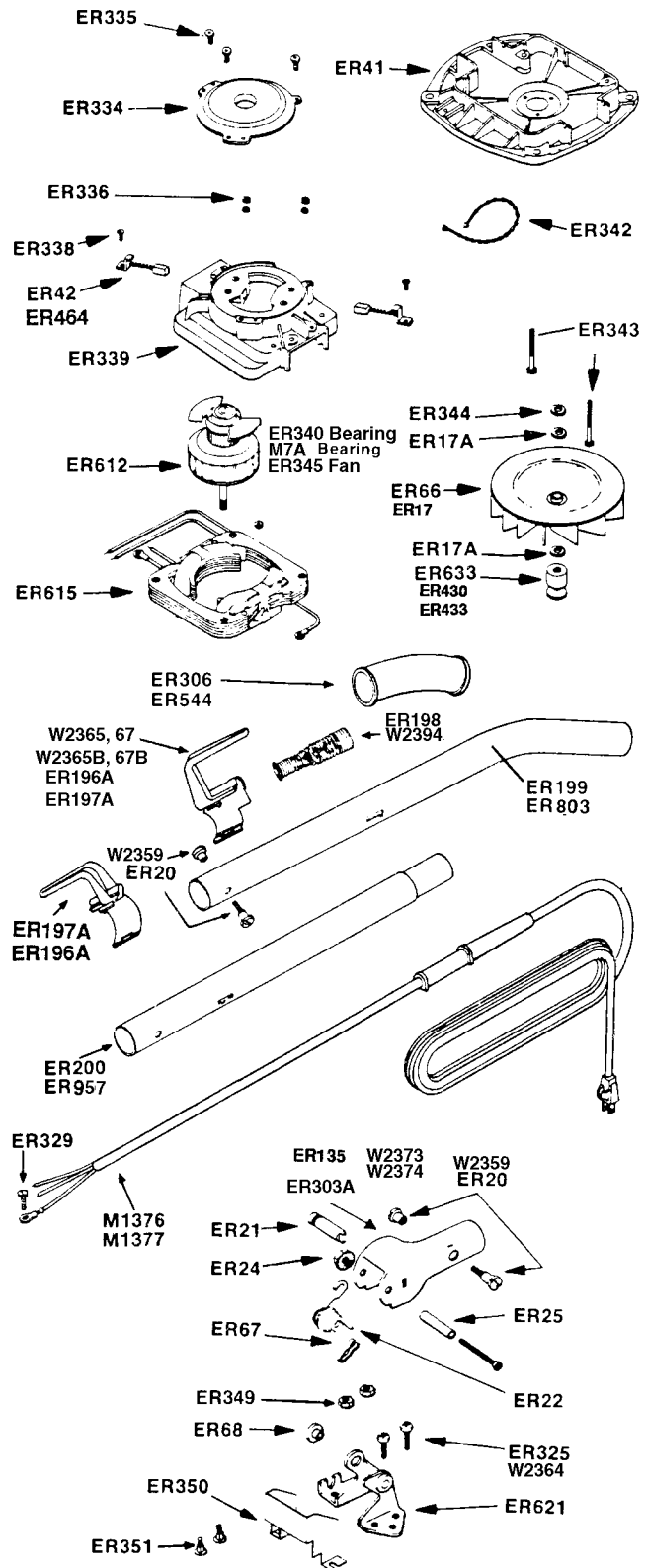


VACUUMS

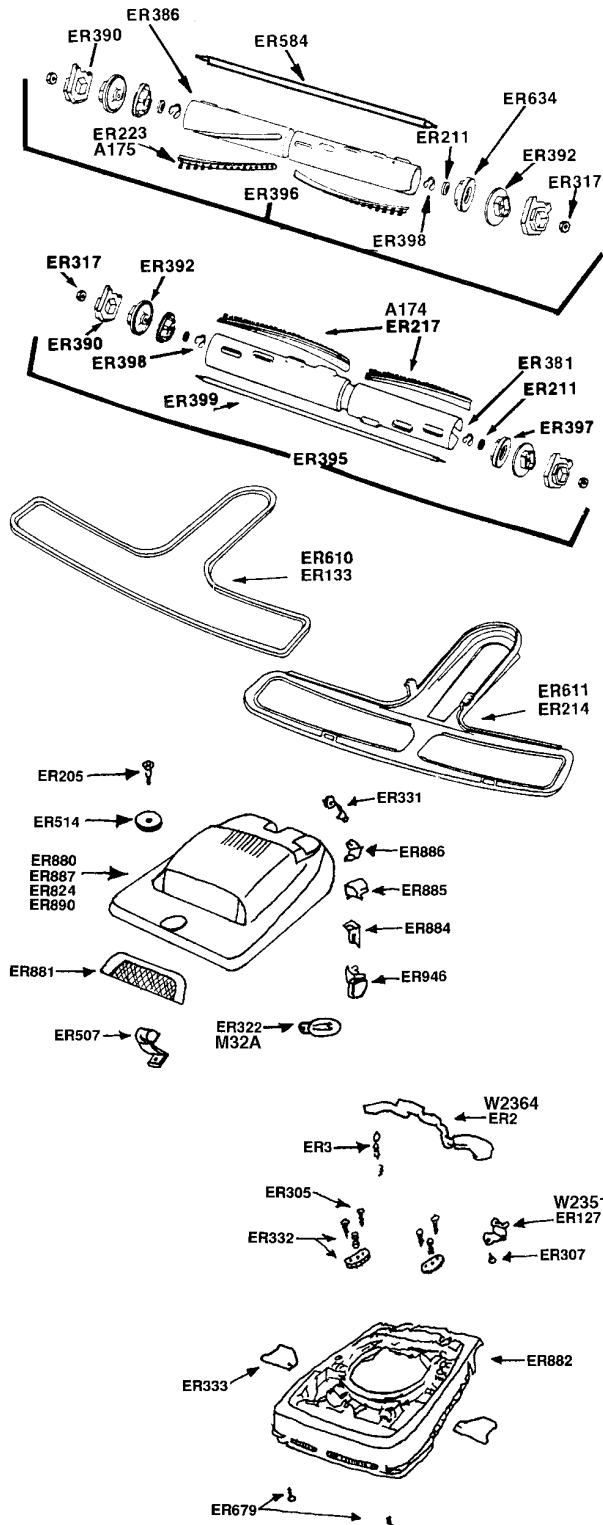
Parts for Upright Models

Models P52, P52B, P52C, P52D, P52VK, P65, P65EC, P65VC, PF70, PF70DC, P747, P747EC, P747VC, PF757EC, PF757VC, P747A, P747AV, P747B, P747VK

order	description
ER2	foot pedal
ER3	foot pedal spring
ER4	hood spring
ER17	fan (Lexan) P52A, P52B
ER17A	washer for ER66 fan
ER20	screw and nut assy.
ER21	handle support pin
ER22	handle balance spring
ER24	handle bracket keps nut
ER25	handle support spacer
ER35	gasket, motor to main casing
ER37	front wheel (nylon)
ER41	motor base assembly and lower bearings
ER42	carbon brush and spring assembly
ER64	commercial bag adaptor, latch type
ER66	fan (Lexan)
ER67	handle spring cotter pin
ER68	handle bracket bushing (2) required
ER71	rear wheel
ER72	bag garter spring
ER127	adaptor retainer
ER128	screw for adaptor retainer (ER127)
ER132	bottom bearing assembly
ER133	gasket, for ER214, bottom plate
ER135	new improved handle socket assy., chrome, without spring, 12" uprights
ER196A	cord retainer set (upper & lower) wide, plastic, beige
ER197A	cord retainer set (upper and lower) wide, plastic, black
ER198	cord protector spring
ER199	upper handle assembly (chrome)
ER200	lower handle tube (chrome)
ER204	height adjustment, all uprights except wide track
ER205	shoulder screw (for ER600)
ER211	Vibra-Groomer II bearing felt washer
ER212	bag clip and spring assy.
ER213	bag gasket
ER214	12" bottom plate
ER217	12" brush strip set, for ER395, brush roll
ER223	16" bristle strip pkg, for ER396
ER300	40" furniture guard, clear, round back models
ER302	12" lexan base assembly, red
ER303A	handle socket and foot pedal kit, chrome, 12" & 16" uprights
ER305	base screw (for ER302)
ER306	handle grip, frost white
ER307	screw for ER127 and ER319
ER308	axle spring
ER313	bag clip spring
ER317	disturbulator lock nut
ER319	axle clip
ER320	wheel washer
ER321	headlight socket assembly
ER322	Sylvania light bulb
ER324	clip screw, P747, P757 furniture guard square back model
ER325	motor screw (for ER632)
ER329	cable clamp screw



Models P52, P65, P747, PF757, PF70, PF70DC

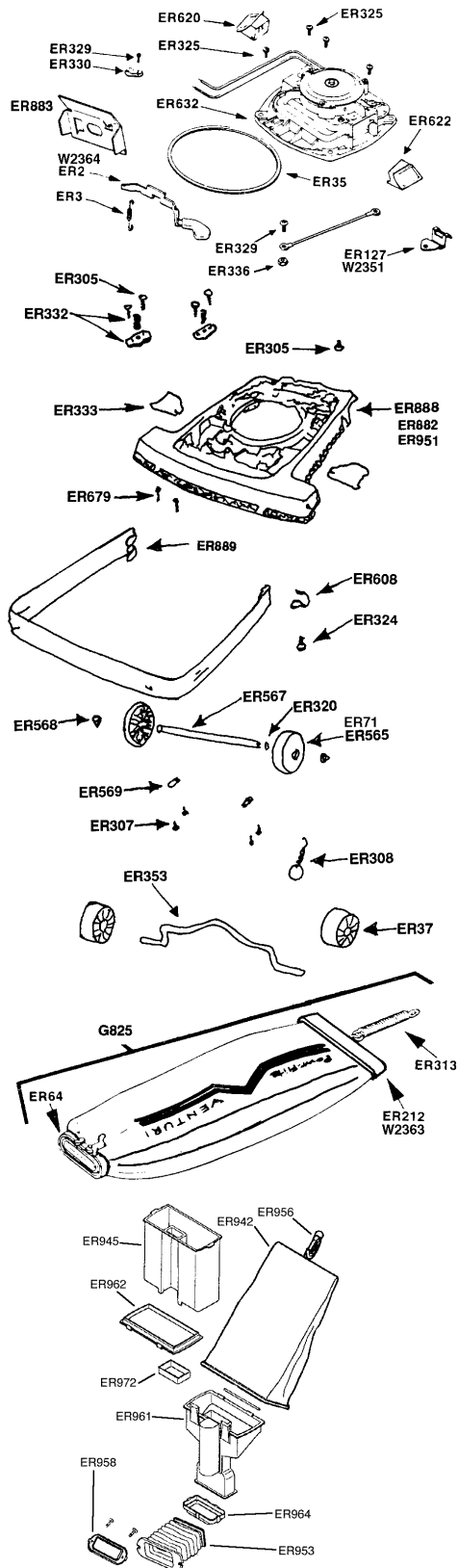


order	description
ER330	cable clamp
ER331	strain relief bushing
ER332	screw and clamp set
ER333	wheel cover shield.
ER334	motor retainer assembly
ER335	motor retainer screw (for ER334)
ER336	motor hex nut
ER338	base assy screw
ER339	motor cover
ER341	rivet for motor base
ER342	tie fastener
ER343	screw for motor base
ER344	washer (for ER41)
ER345	cooling fan
ER349	handle socket nut (for ER351)
ER350	handle socket shield
ER351	shield bolt
ER352	rear axle
ER353	front axle
ER360	7-piece attachment kit, frost white, all uprights except wide track
ER381	12" brush core (ER395)
ER386	16" brush core (ER396)
ER390	dist. end cap cover hex end rubber
ER392	disturbulator end cap, w/ball bearings
ER395	12" Vibra-Groomer II brush roll
ER396	Vibra-Groomer II, small hex end 16"
ER397	bearing and retainer assy, for ER395
ER398	clip ring for brush roll
ER399	12" brush roll shaft, for ER395
ER424	lens, old style, chrome hood
ER427	5.5 amp, 1 speed motor assy.
ER428	6.5 amp motor for P65, PF70
ER430	pulley for 6.5 amp motor
ER435	field for ER427 and ER428
ER437	motor cover only for ER427 and ER428
ER463	pulley for 5.0 amp motors
ER464	carbon brush for ER31, ER32, ER373
ER507	headlight socket P65, PF70, P747, PF757 square back models
ER510	base assy., black, 16" (replaces red 16")
ER514	height adj. knob, P65, PF70, P747, PF757 square back models
ER541	12" base assy (arctic blue), round back models
ER544	handle grip (midnight gray)
ER564	wheel and axle assy. P65, PF70, P747, PF757 square back models
ER565	rear wheel P65, PF70, P747, PF757 square back models
ER567	rear axle P65, PF70, P747, PF757 square back models
ER568	hub cap for ER564 and ER567
ER569	axle clamp for ER567
ER584	disturbulator shaft (for ER396)
ER600	height adjustment knob, wide track
ER603	Step on switch, 15" lead
ER607	47" furniture guard, clear, round back models
ER608	furniture guard clip
ER609	Powr-Flite height adjustment label
ER610	bottom plate gasket for ER611
ER611	bottom plate, wide track
ER612	armature kit
ER615	field assembly for 6 amp motor
ER617	handle socket assembly, w/ spring, chrome, fits 12" and 16" uprights

VACUUMS

Parts for Upright Models

PARTS TO FIT P52, P65, P747, PF757, PF70, PF70DC



order	description
ER618	chrome hood assembly, wide track
ER620	air duct, R.H.
ER621	bracket assembly
ER622	air duct, L.H.
ER632	6.7 amp motor assy, single speed,110 volt
ER633	pulley (for ER632 motor)
ER634	bearing and retainer assembly for brush roll
ER670	furniture guard, P65, PF70, 12" square back models
ER671	hood lens (for P65)
ER678	hood lens for P747
ER679	hood screws for ER676
ER777	motor cover with sleeve bearing for ER427 motor
ER824	hood PF70VC, PF70EC
ER880	hood and graphics P65, PF70 square back models
ER881	hood lens P65, PF70, P747, PF757 square back models
ER882	base assy., blue P65, PF70 square back models
ER883	air separator, motor
ER884	switch clip P65, PF70, P747, PF757 square back models
ER885	switch button, P65, PF70, P747, PF757 square back models
ER886	bushing bracket, P65, PF70, P747, PF757 square back models
ER887	hood and graphics, P747, PF757 square back models
ER888	base assy., w/ see thru fan scroll, blue, fits P747, PF757 square back models
ER889	furniture guard P747, PF757 square back model
ER890	hood for PF70DC
ER935	7.0 amp. motor
ER946	switch, P65, PF70, P747, PF757 square back model
F614	upright belt
M1376	50' 18/3 SJT (beige) cord
M1377	50', 18/3 (black) cord
P6	small cord wire nuts
G819	Vacucide™ gray cloth bag complete w/bag slide and spring
G820	Vacucide™ red cloth bag complete w/ bag slide and spring
G825	Vacucide™ blue cloth bag complete w/ slide and spring
G828	Enviro-Clean TieTex/ Vinyl bag assy, blue
265PB	Enviro-Clean paper bag, 3 pak
266PB	Enviro-Clean paper bag, 9 pak
430PB	H.D. Powr-Flite paper bag, 3-pak
ER956	steel ring for PF70DC dirt cup bag
ER942	bag assy for PF70DC dirt cup bag
ER948	snap hook for PF70DC dirt cup bag
ER945	dirt cup for PF70DC dirt cup bag
ER944	dirt cup assy for PF70DC
ER964	clamp for PF70DC dirt cup bag
ER961	cup support for PF70DC dirt cup bag
ER972	gasket for PF70DC dirt cup bag
ER953	bellows for PF70DC dirt cup bag
ER958	base clamp for PF70DC dirt cup bag
ER803	upper handle
ER812	upper cord hook
ER951	base assembly black
ER962	dirt cup flange