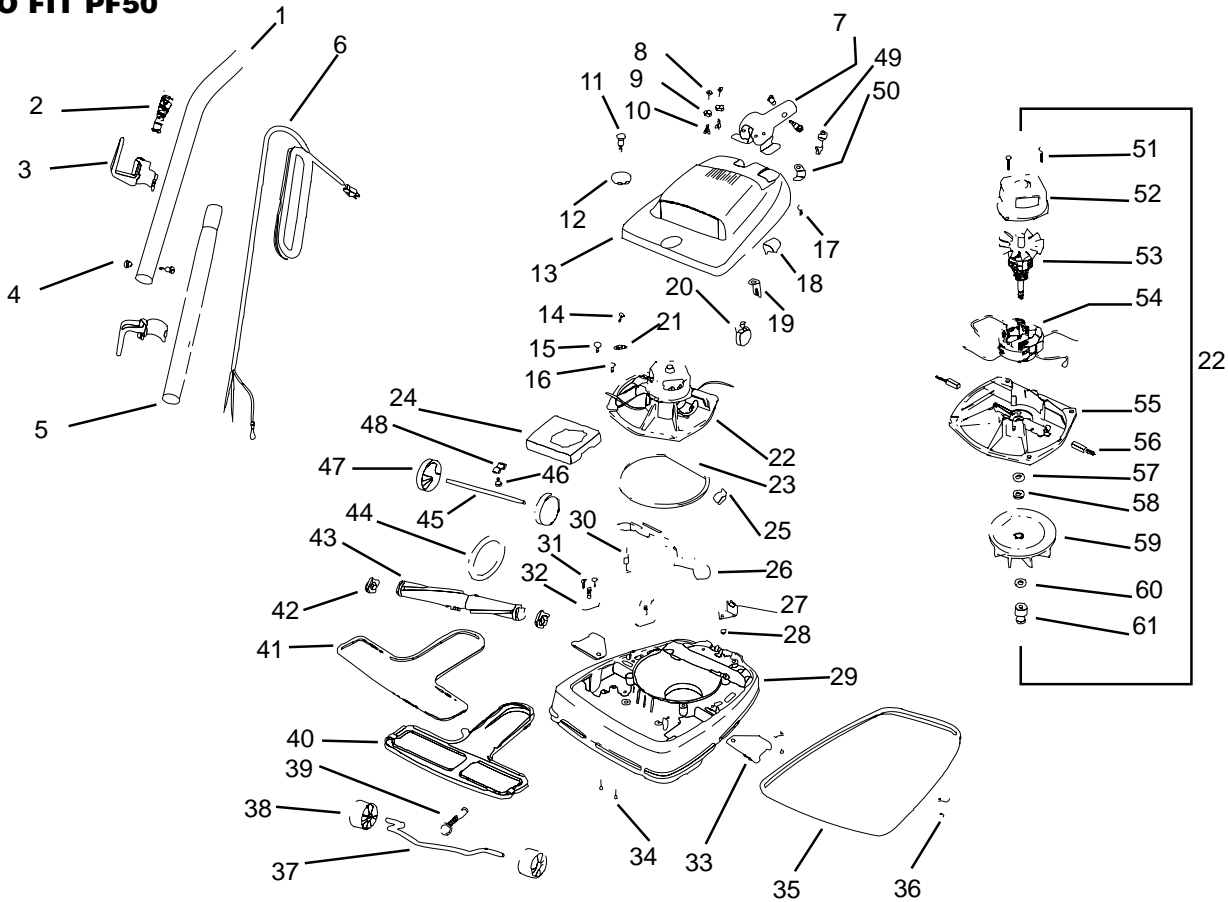


PARTS TO FIT PF50



ref#	order	description
1	ER199	upper handle assembly
2	ER198	spring
3	ER197A	cord retainer set
4	ER20	screw and nut assembly
5	ER200	lower handle tube
6	M1406	cord
7	ER135	handle socket assembly
8	ER325	screw
9	ER349	nut
10	ER351	bolt
11	ER205	shoulder screw
12	ER514	knob assembly
13	ER826	hood and graphics assembly
14	P6	wire splice
15	ER325	motor screw
16	ER305	motor mtg. screw
17	ER325	screw
18	ER885	switch button
19	ER884	switch clip
20	ER946	switch assembly
21	53833-2	lock nut
22	ER827	motor assembly
23	ER35	motor seal gasket
24	ER842	air separator
25	55015	wire clip (2)
26	ER2	foot pedal
27	ER127	adapter retainer spring
28	ER307	screw
29	ER829	base assembly
30	ER3	foot pedal spring
31	ER305	clamp screw

ref#	order	description
32	ER332	clamp and screw assembly
33	ER333	wheel cover (2)
34	ER679	screw
35	ER899	furniture guard
36	59.334	furniture guard clip
37	ER353	front axle
38	ER37	front wheel
39	ER308	axle spring
40	ER214	bottom plate assembly
41	ER133	gasket
42	ER390	disturbulator cap
43	ER828	disturbulator replacement kit
44	F631	belt
45	ER352	rear axle
46	ER307	clip screw
47	ER71	rear wheel
48	ER319	axle clip
49	ER331	strain relief bushing
50	ER886	bushing bracket
51	5313-1	screw
52	59.918	housing assembly
53	ER891	armature and fan assembly
54	ER872	field assembly
55	ER16	motor base assembly
56	ER15	carbon brush assembly
57	ER344	metal washer
58	ER17A	fan washer
59	ER17	fan assembly
60	ER17A	fan washer
61	ER633	pulley
	ER991	black cloth bag w/ screw on connector

* call for pricing and availability