

VACUUMS

Parts for PF14, PF18

ref#	order	description
1	TB1	Wand
2	TB2	Screw 4x16
3	TB3	Screw 3.5x18
4	TB4	Screw 3.5x25
5	TB5	Handle right
6	TB6	Handle left
7	TB7	Sleeve
9	TB8	On/Off switch
10	TB9	Light, full bag indicator
11	TB200	Brush/radiator tool holder
12	TBKIT-1	Handle assembly kit
13	TB12	Screw, 5 x 40
16	TB64	Strain relief
20	TB14	Terminal block
21	TB15	Electrical cover
22	TB16	Screw 3.5x16
24	TB17K	Hose assembly with cuffs
25	TB18	Clip
26	TB19	Coupling, hose
27	TB15	50' 3-wire electrical cord
28	TB23	Latch, cover
31	TB24	Upholstery tool
32	TB25	Crevice tool
36	TB26	Cover
42	TB27	Wand lock
44	TB29A	Vac housing kit, rear
45	TB30	Anti slip clip
52	TB31	Clamp
53	TB32	Foam, vac motor
54	TB33	Filter
55	TB34	Latch, shaft
56	TB35	spring
57	TB36	Lock, cover
58	TB37	Disc, filter
60	TB38	Disc, filter
61	TB39	7" Gasket
63	TB40	Screw 3x8
64	TB41	Grill, filter
65	TB42	Gasket, motor upper
66	TB43	Foam, vac motor
67	TB67	Screw 4x10
68	TB44	Receptacle
69	TB68	Release, handle
70	TB69	Pin
71	TB62	Front door seal
72	TB131	Main wire 110 volt

ref#	order	description
73	TB70	Screw long left side
74	TB50	Actuator switch
76	TB51	Switch normal open
77	TB52	RFI suppressor
78	TB72	Screw, RH (short)
79	TB73	Screw. LH (long)
81	TB53	Gasket, motor lower
82	1995H	Motor 110V Lamb
	TB153	Motor 1000W 120V
83	TB74	Label
84	TB56	Thermal cut out
85	TB57	Cable protector sleeve
86	TB58	Vac motor housing
88	TB59	Front cover shaft
89	TB75K	Upper housing, 14"
	TB76	Upper housing, 18"
90	TB77	Cover brush access
96	TB78	Latch
98	TB79	Plastic LH ring
99	TB80	Micro switch, closed
100	TB81	Plastic RH ring
102	TB83	Swivel, intake
103	TB84	Screw, 5x18
105	TB86	Swivel guide plate w/felt
	TB86A	Swivel guide plate w/o felt
106	TB87	Brush pulley
107	TB88	L.H. brush support
108	TB89	Ball bearing
116	TB90	Cover, brush access
117	TB91	Brush strip, 14"
	TB92	Brush strip, 18"
119	TB93	Roller assembly, 14"
	TB94	Roller assembly, 18"
122	TB95	R.H. brush support
123	TB96	Pulley, motor
124	TB97	Belt
125	TB98	Ring, rubber
126	TB99	Foam, brush motor
127	TB85	Clip
128	TB101	Motor, brush 110 V
	TBKIT-10	110 volt brush motor belt kit
130	TB104	Control board
133	TB106	Cable, 3 pole plug
136	TB108	Wheel, rear
137	TB109	Rear caster shaft
138	TB110	Caster, front

ref#	order	description
139	TB111	Spring
141	TB112	Knob
142	TB113	Screw 5x40
143	TB114	14" brush housing
	TB115	18" brush housing
144	TB116	Bumper, 14" housing
	TB117	Bumper, 18" housing
145	TB118	Base Plate, 14" housing
	TB119	Base Plate, 18" housing
150	TB120	Spring
153	TB60	Bag mount fitting
155	TB188	3 x 16 mm screw
160	TB140	Brush protector
166	TB122	Thermal overload
294	261PB	EC 10 pk paper bag
753	TB123K	Bracket, swivel
871	TB61	Door, vac housing
1401	TB124	Front caster shaft, 14"

NOT ILLUSTRATED

TB17	Hose assembly with out cuffs
TB127	Cover for socket cover for
TB130	Hose, black stretch
TB131	Main wire 110 volt
TB133	Brush housing upper & lower
TB135	Carbon brush holder complete
TB136	Carbon brush & spring
TB139	Switch housing w felt
TB141	Round dust brush
TB142	Cord hook
TB143	Cloth bag
TB147	Screw for paper bag sensor
TB148	50' 18/3 yellow cord for HEPA units
TB150	Inlet 3 pin for line cord
TB151	3 pole connection plug for HEPA units
TB143	Cloth bag
TB39	Gasket, door
TB86A	Swivel guide plate w/o felt
TB141	Dust brush
TB11	Complete handle
HP1418	HEPA filter
U2170	Carbon assy for 1995H

PF 14 and PF 18 UNIT KITS



TBKIT-3



TBKIT-1



TBKIT-4

order	description
TBKIT-1	Handle assembly
TBKIT-2	Hose, filter and bag
TBKIT-3	Cord, filter and bag
TBKIT-4	Upper unit back body, bag, filter
TBKIT-5	Upper unit front body, bag, filter
TBKIT-6	Motor, filter, bag,
TBKIT-7	Bracket, swivel, release switch
TBKIT-8	14" Brush housing, belt, brush strip
TBKIT-9	18" Brush housing, belt, brush strip
TBKIT-10	Brush motor 110 V., belt,
TBKIT-11	Brush roll, belt
TBKIT-12	18" upper and lower brush housing, belt kit
TBKIT-13	18" brush roll, belt kit

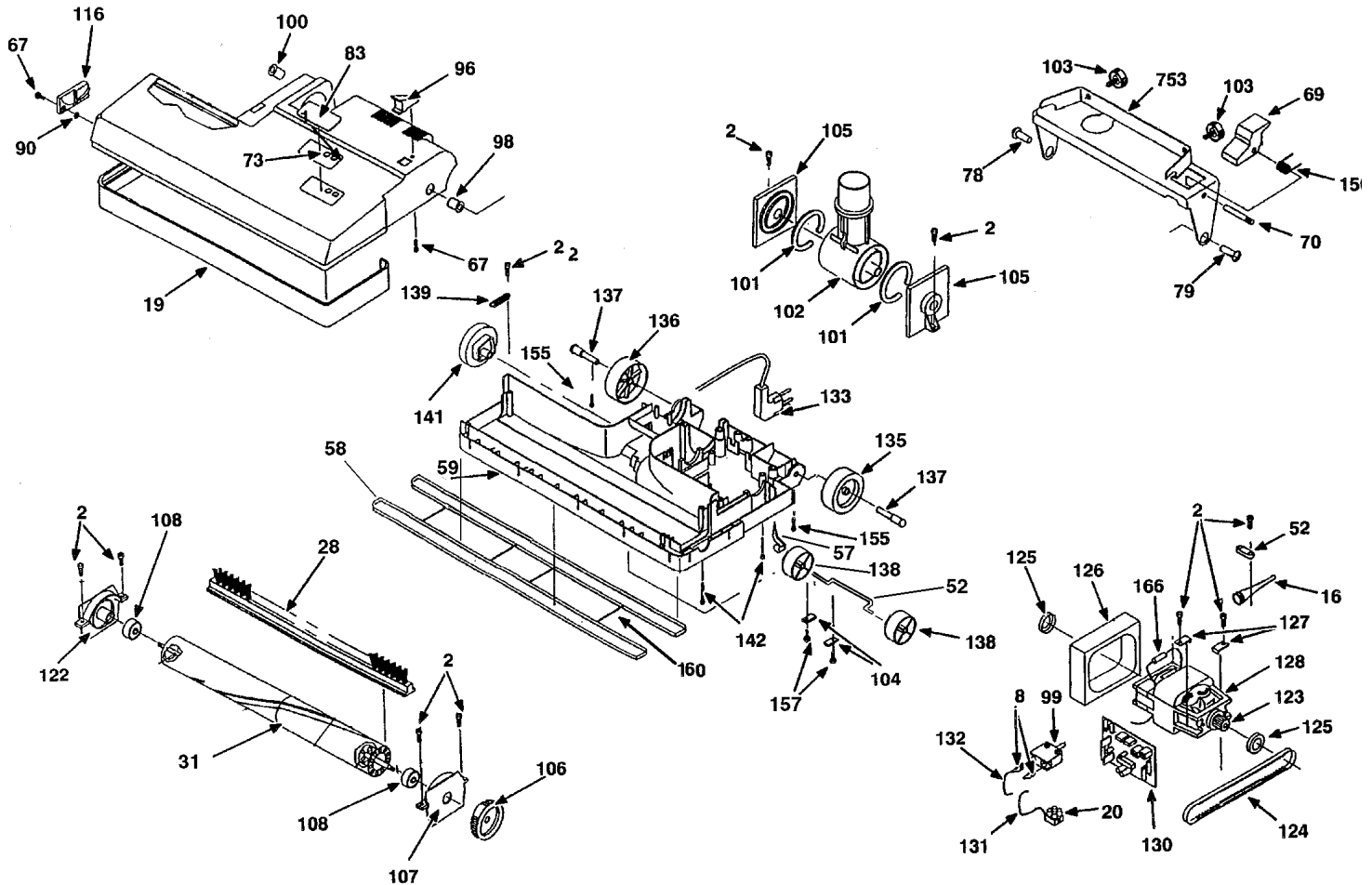
Fax Orders to 817.551.0719

Orders before 1 PM Ship The Same Day!

VACUUMS

Parts for PF18

NOZZLE ASSEMBLY PF18



ref#	order	description
4	TB76	Upper housing 18"
19	TB117	Bumper 18" housing
28	TB92	Brush strip, 18"
31	TB94A TB94	18" Roller assembly, 18" Roller assembly w/ brush strip only
52	TB125	Front caster shaft, 18"
57	TB126	Rod, adjusting
58	TB119	Base plate, 18" housing (2 required)
59	TB115	18" Brush housing
69	TB68	Release handle
70	TB69	Pin
78	TB72	Screw RH (Short)
79	TB73	Screw LH (Long)
96	TB78	Latch
99	TB80	Micro switch, closed
102	TB83	Swivel neck
103	TB84	Screw 5x18
105	TB86 TB86A	Swivel guiding plate w/felt Swivel guiding plate w/o felt
106	TB87	Brush pulley
107	TB88	L.H. Brush support
108	TB89	Ball bearing

ref#	order	description
116	TB90	Cover, brush access
122	TB95	R.H. Brush support
123	TB96	Pulley, motor
124	TB97	Belt
128	TB101	Motor, brush
130	TB104	Control board
133	TB106	Cable, 3-pole plug
136	TB108	Wheel rear
137	TB109	Rear caster shaft
138	TB110	Castor, front
150	TB120	Spring
160	TB140	Brush protector
753	TB123K	Bracket, swivel
NOT ILLUSTRATED		
	TB131	Main wire
	TB133	Set brush
	TB135	Carbon brush holder complete
	TB136	Carbon brush with spring
	TB139	Switch housing w/out felt