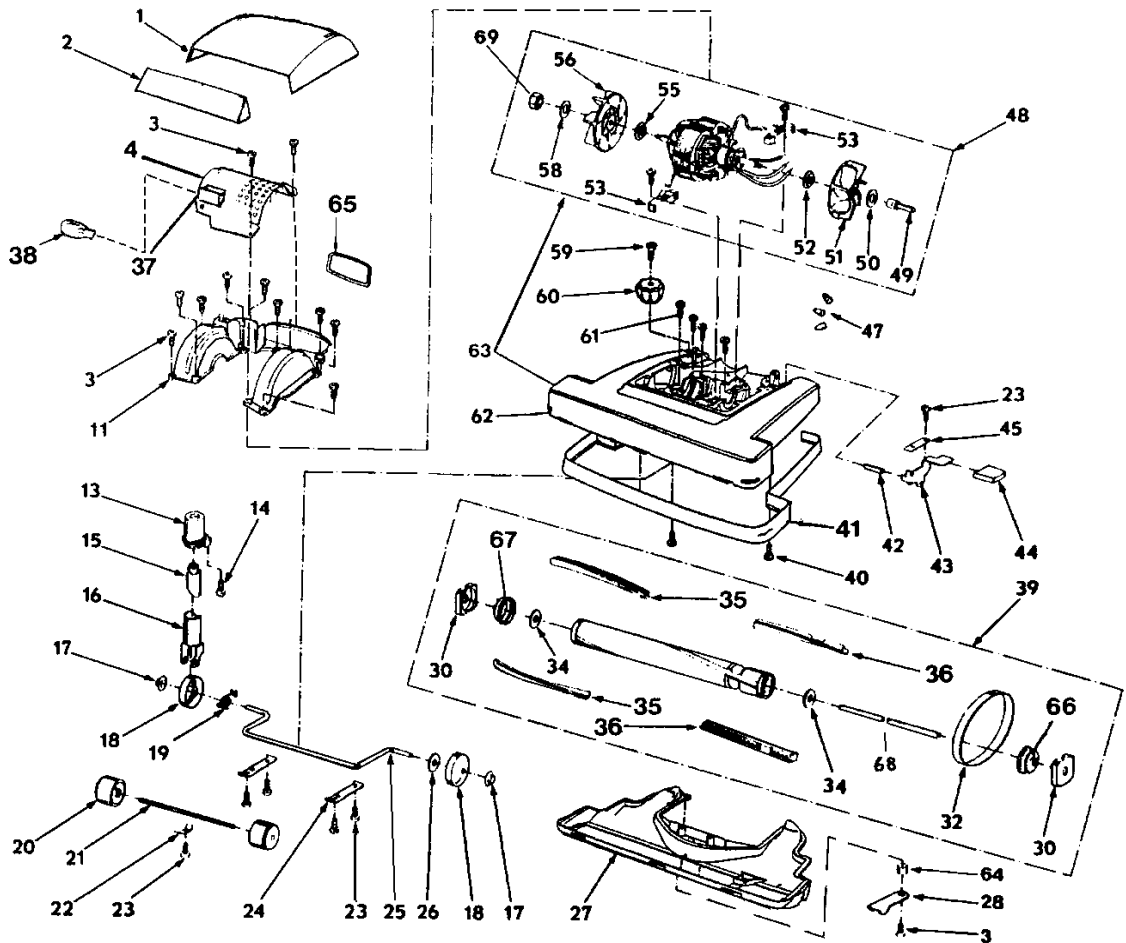


VACUUMS

Parts for Upright Models

MAIN HOUSING PARTS To Fit Powr-Flite Lite Models PF104, PF104VC, & PF104EC

Powr-Flite Wide Lite Models PF117, PF117VC, & PF117EC



ref#	order	description
1	L131	Top Cover PF117
	L100	Hood Cover with Graphics, PF104
2	L57	Lens
3	L68	Screw
4	L132	Motor Cover PF117
	L56	Motor Cover, PF104
11	L2	Blower Cover
13	L101	Ratchet Lock PF117
14	L32	Screw
15	L47	Lock Cup Slide
16	L49	Wheel Bracket w/Slide
18	L28	Rear Wheel (2) required
20	L5	Front Wheel (2) required
21	L53	Front Axle
22	L36	Axle Retainer
23	L32	Retainer Screws (5 required)
24	L31	Rear Axle Retainer (2) required
25	L26	Rear Axle
27	L133	Access Plate PF117
	L54	Access Plate Assembly, PF104
30	L6	End Cap (2) required
	L6A	End Cap (2) required new style brush rolls
32	L60A	Belt (100).27 (50.33)
	L15	Brush Strip, Belt Side, PF104 (25).82
	L16	Brush Strip, right side, PF104 (25).85
	L17	Beater Bar, Belt side, PF104
	L18	Beater Bar, right side, PF104
37	L136	Light Socket PF117

ref#	order	description
38	M32A	Light Bulb PF117
39	L138	Quadrobrush™
	L110	Quadrobrush™ Roll, PF104
	L82	Agitator Complete, PF104
41	L139	Bumper PF117
	L102	Bumper, blue and white, PF104
42	L35	Pedal Shaft
44	L103	Pedal Boot
45	L37	Retainer
47	P6B	Wiring Nut (5) required
48	L65	Motor Asm, complete PF104,PF117
49	L24	Motor Pulley Shaft
50	L39	Fan Washer (left)
51	L22	Suction Fan kit (left) 1/ #50, 52
52	L40	Shoulder Washer (left)
53	L62	Carbon Brush Asm. (pack of 2)
55	L41	Shoulder Washer (right)
56	L23	Suction Fan kit (right) w/#55, 58
58	L42	Fan washer (right)
59	L46	Flat Head Screw
60	L104	Height Adjustment Knob, black
61	L68	Field Screw (4) required
65	L83	Bag Gasket
68	L14	Brush Roll Shaft, PF104
69	L43	fan nut

Call Toll Free 800.880.2913

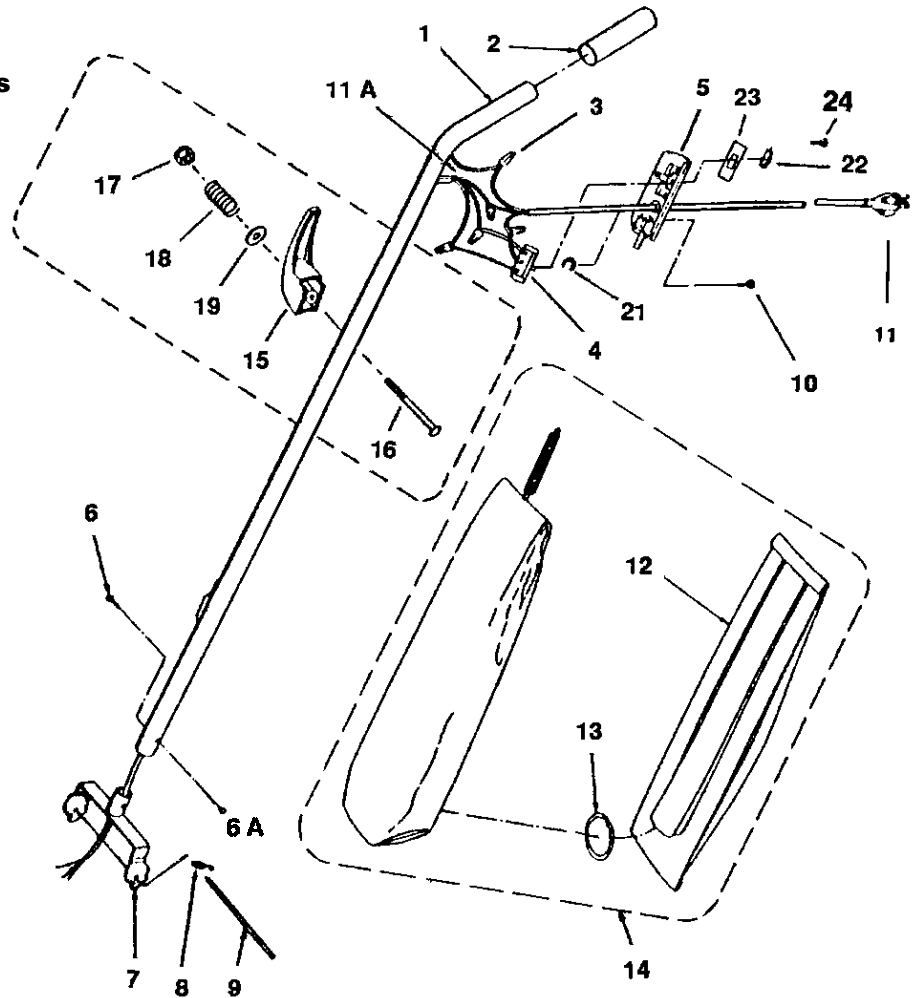
Visit Our Website at www.powrflite.com

VACUUMS

Parts for Upright Models

**Powr-Flite Upright
HANDLE PARTS To Fit
Powr-Flite Wide Lite Models
PF117, PF117VC
and PF117EC**

**Powr-Flite Models PF104,
PF104VC and PF104EC**



ref#	order	description
1	L90	Handle Complete (inc. #15-19)
3	P6B	Wiring Nut
4	L77	Switch
5	L75	Switch Plate
6	L33	Handle Bolt
6a	L33A	Handle Nut
7	L76	Handle Yoke
8	L34	Pedal Tension Spring
9	L52	Trunnion Arm Shaft
10	L70	Bag Spring Screw
	L80	Bag Hook
11	M1376	18/3 SJT 50' beige Heavy Duty Cord
	M1377	18/3 SJT 50' black Heavy Duty Cord
	M1405	18/3 SJT 35' black Heavy Duty Cord
	M1406	18/3 SJT 35' beige Heavy Duty Cord
11A	L153	Handle Cord
12	430PB	Heavy Duty, 3 pk paper bag
	265PB	Enviro-Clean paper bag
	266PB	Enviro-Clean 9 pk. paper bag

ref#	order	description
13	W2390	Garter spring
14	G825	Vacucide Cloth
		Bag Assy., blue
	G828	Enviro-Clean Tie Tex Vinyl Bag Assy.
	W2363	Bag slide and spring
15	L95	Cord Latch
16	L96	Screw
17	L97	Hex Nut
18	L98	Spring
19	L99	Washer
20	L109	Cord Latch Kit (incl. #15-19)
21	L84	Metal Strain Relief
22	L71	Switch Cap
24	L88	switch plate screw
NOT ILLUSTRATED		
	L4	Bag Adapter Retainer
	L9	Washer
	L10	Ball Bearing Fits L138 and L82
	L10A	Ball Bearing Fits L110
	L12	Bearing Cup, Metal, for Brush Roll
	L19	Brush Holder
	L81	Lead with Terminal
	L142	Bearing Cup, plastic, for Motor Bearing
	M7A	Motor Bearing