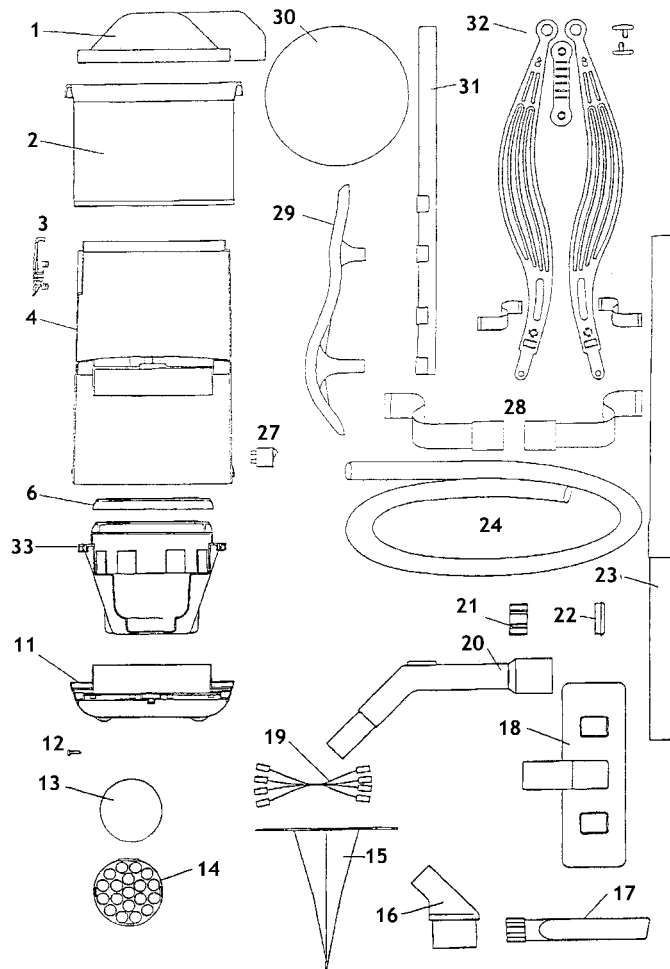
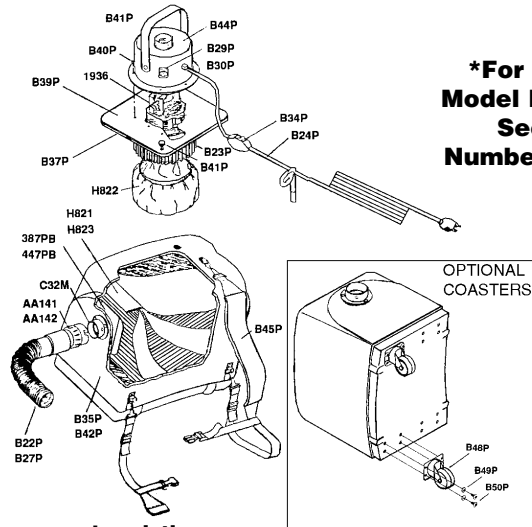


PF10BP, PF20BP



PF23, PF23A and PF24, PF24A



***For Correct Model Number See Serial Number Plate.**

order	description
AA140	1-1/4" machine end coupling
AA141	1-1/2" machine end coupling
1936	lamb motor
C32M	inlet fitting
B22P	1-1/2"x4' wire reinforced hose with coupling, complete
B23P	motor guard
B24P	18/3, 50' yellow cord with in-line switch
B25P	motor gasket
B27P	1-1/4"x4' wire reinforced hose with coupling, complete
B30P	receptacle retainer clip
B31P	10" floor & wall brush, white PF24
B32P	door gasket, PF23, PF24
B33P	front door complete with fasteners and hose receptacle PF23, PF24
B34P	in-line switch, 5A-250V-10A-125V
B35P	blue body with hardware PF23, PF24
B36P	retainer nut for door stud
B37P	gasket, motor support cover PF23A, PF24A
B38P	cord strain relief
B39P	motor support cover PF23A, PF24A
B40P	screw, dome
B41P	carrying handle
B42P	body assy. with hardware PF23A, PF24A
B44P	top dome with handle
B45P	shoulder harness
B46P	lock bolt and washer for door
B47P	optional caster kit includes 16 screws, 16 washers, 4 casters
B48P	caster
B49P	lock washer
B50P	screws
B51P	plastic plug
B52P	motor screw
B53P	key ring
B54P	head assembly
B55P	socket assembly for stud
B56P	loop and ring
B59P	rocker switch only for "AT" series back pack
B60P	switch housing for "AT" series
CT11	metal 1-1/2" dust brush
CT13	metal 1-1/2" crevice tool
CT45	metal 1-1/2" upholstery tool
D403	1-1/4" upholstery tool, grey
D403B	1-1/4" slide on brush for D403
D418	1-1/4" crevice tool, oyster white
E529	2-way deluxe rug tool
H821	cloth filter bag with gasket, gray PF23, PF24
H822	cloth Pre-filter PF23A, PF24A
H823	cloth bag PF23A, PF24A
J1037	1-1/4" gray cuff
J1038	1-1/2" gray cuff
L1207	1-1/4" slotted straight wand
L1221	1-1/4" curved A end with swivel and suction control
PF21	powr-nozzle (for 1-1/4" use)
PF22	powr-nozzle (for 1-1/2" use)
PFD1	vinyl coated dolly
B60P	switch housing
B61P	tether cord assembly
B65P	paper bag 5 pk for PF23A, 24
B66P	paper bag 5 pk for PF23A, 24A

ref #	order #	description
1	BP1	lid
2	BP2	dust bag
3	BP3	lid clamp lid clamp assembly
4	BP4	body
6	BP5	motor seal
11	BP7	motor cover
12	BP8	motor cover screws
13	BP9	filter pad - external
14	BP14	filter cover
15	BP27	paper dust bag
16	BP25	dusting brush
17	BP26	crevice tool
18	BP24	floor tool
19	BP13	wire loom set
20	BP22	hand piece
21	BP19	screw hub
22	BP20	clip ring
23	BP21	extension wand
24	BP18	vac hose
27	BP12	rocker switch
28	BP17	waist harness inc: webbing & clip
29	BP11	back support
30	BP10	filter pad - internal
31	BP15	frame
32	BP17	shoulder strap assembly
33	BP31	motor assembly