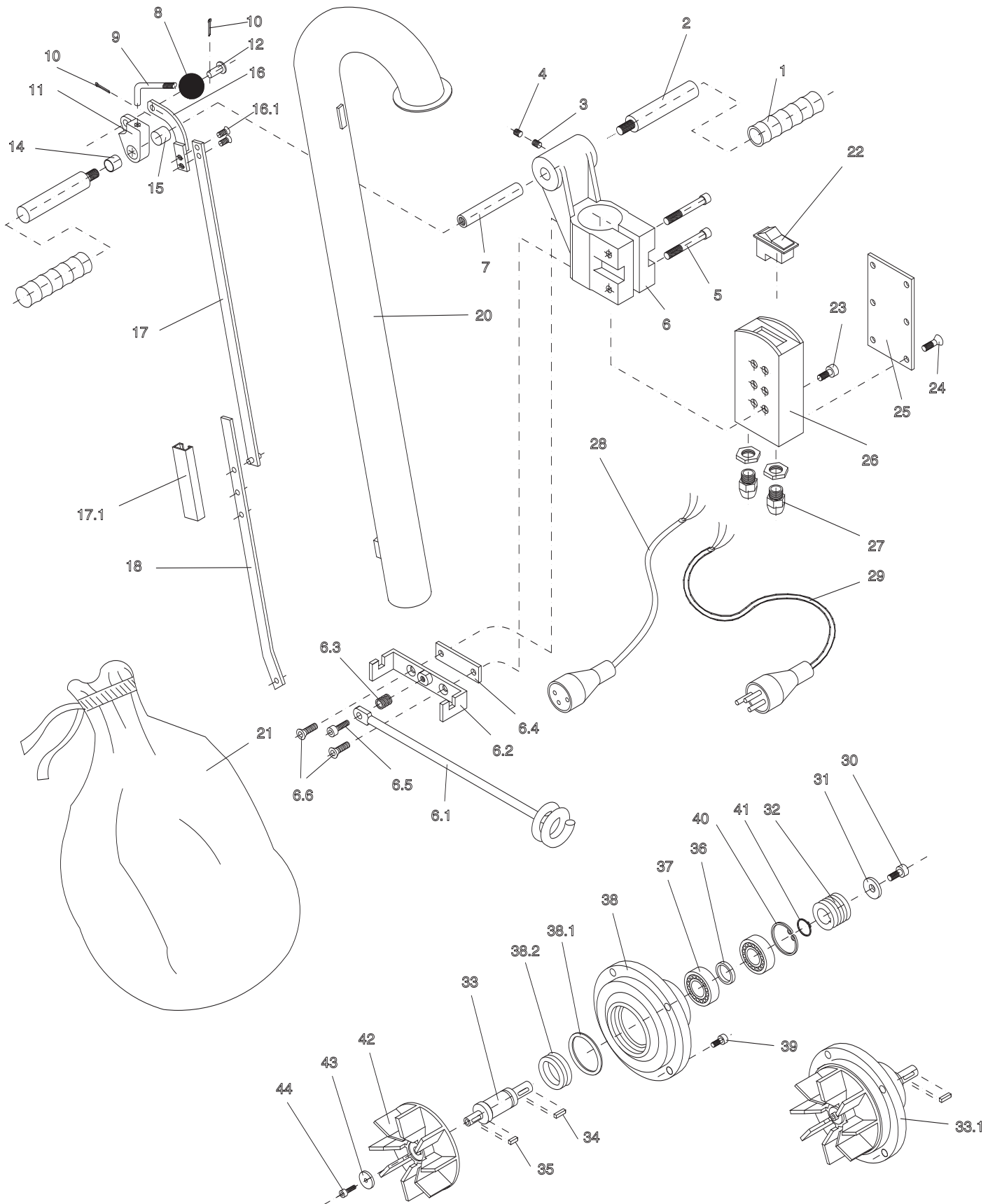
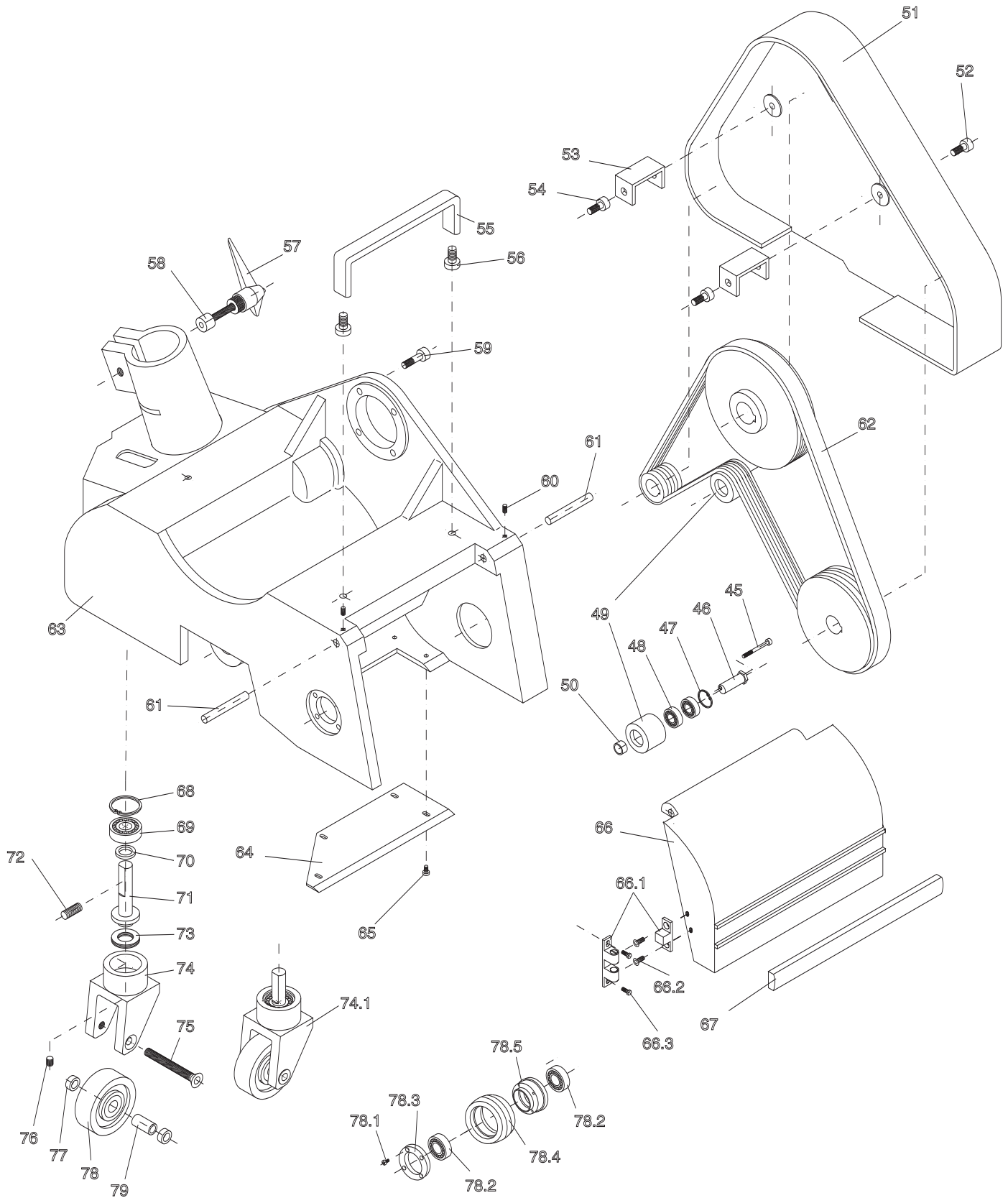


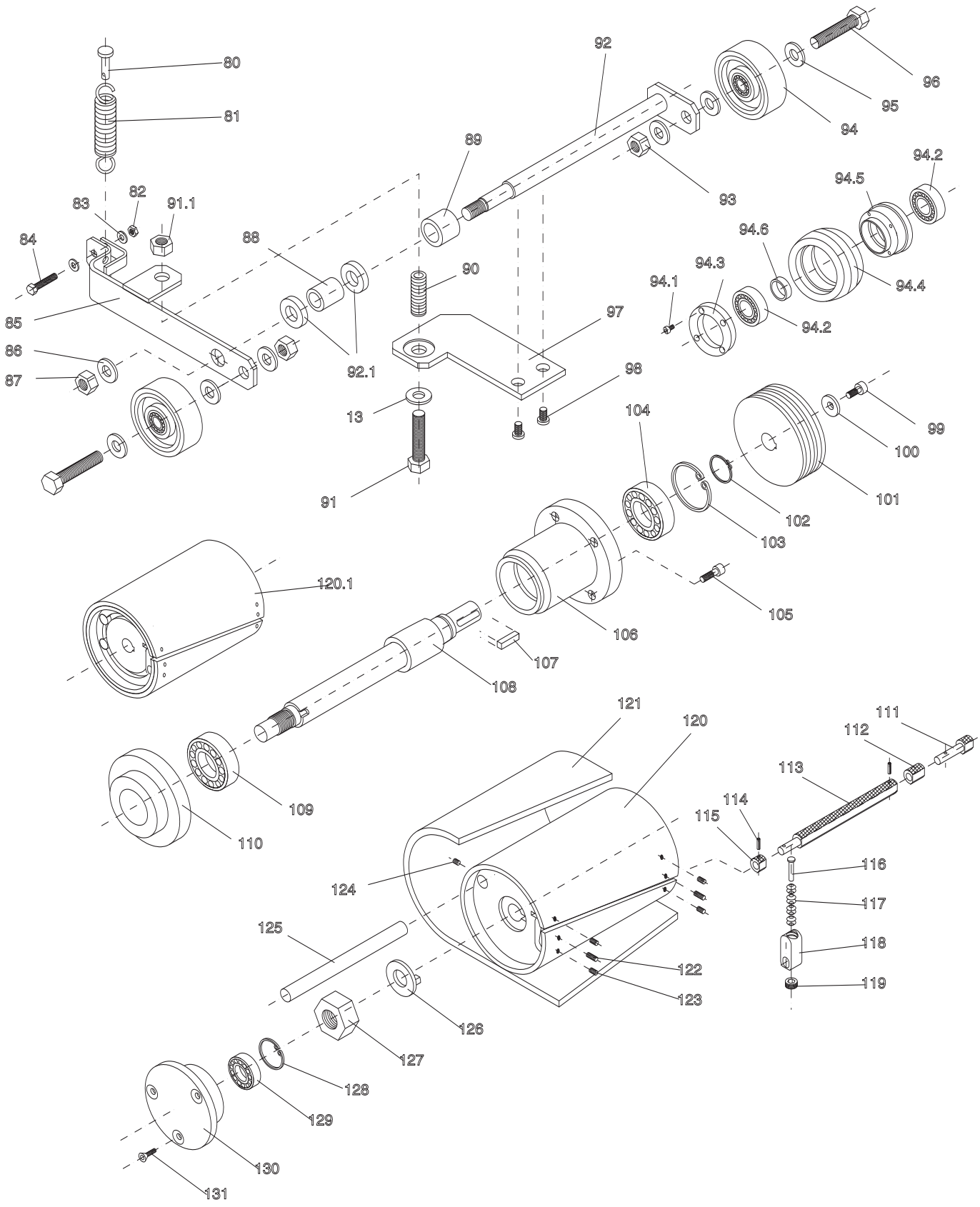
ASSEMBLY DRAWING AND SPARE PARTS LIST



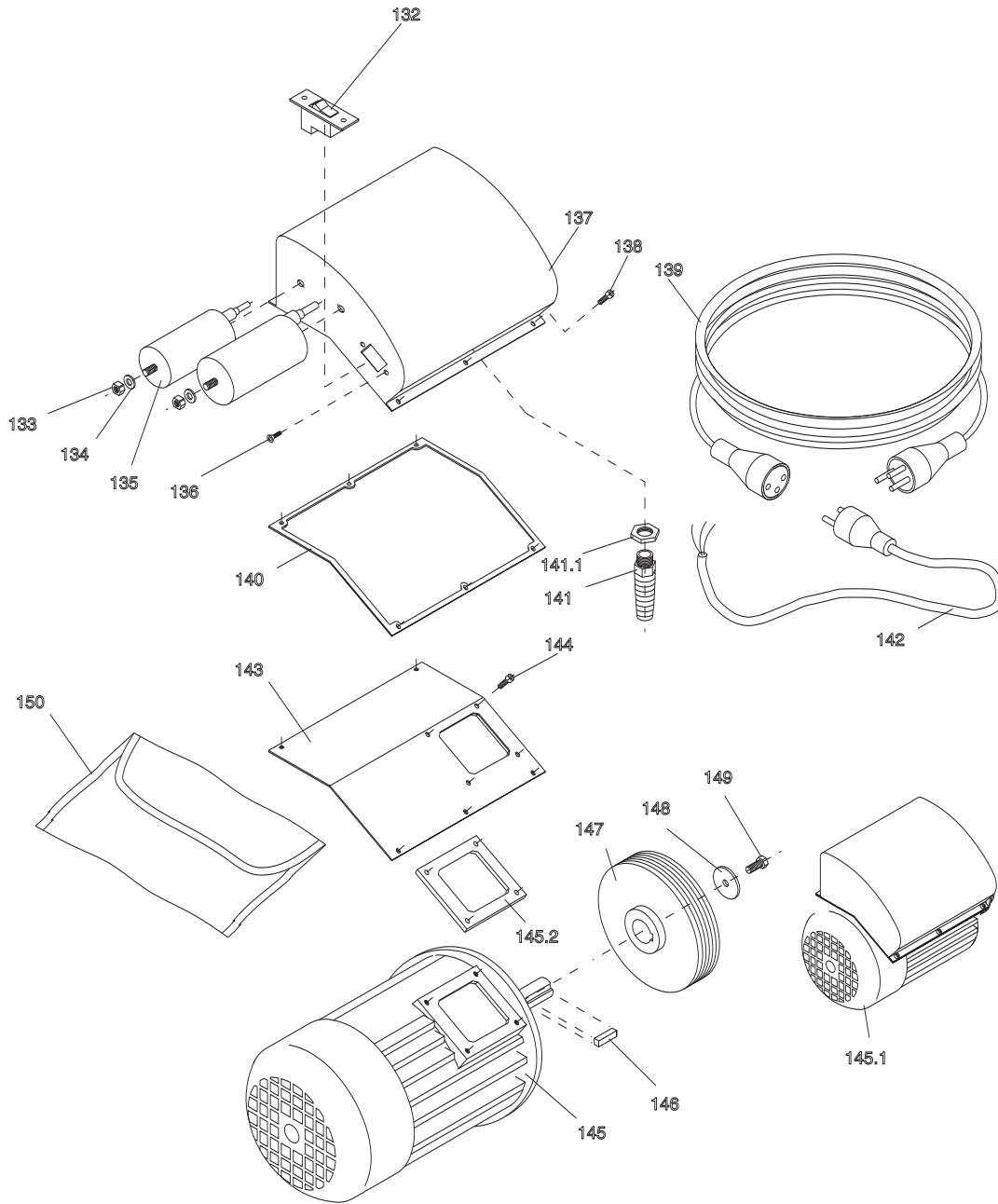
ASSEMBLY DRAWING AND SPARE PARTS LIST



ASSEMBLY DRAWING AND SPARE PARTS LIST



ASSEMBLY DRAWING AND SPARE PARTS LIST



ref#	part #	desc
6.1	SD100	CABLE HOLDER
8	SD101	BALL KNOB \varnothing 30
9	SD102	LEVER
21	SD103	DUST BAG
32	SD104	FAN PULLEY \varnothing 30
33	SD105	FAN SHAFT
37	SD106	BALL BEARING 6005 VVCM
38	SD107	BEARING HOUSING
42	SD108	VENTILATOR WHEEL
53	SD109	SPACER
57	SD110	HANDLE
62	SD111	POLY V BELT 6J 965
63.1	SD112	SCREW DIN 931 M 8 x 35
63.2	SD113	CLAMP RING INA BR19
63.3	SD114	BALL BEARING 626 2RS

ref#	part #	desc
63.4	SD115	CONSTRAINER
63.5	SD116	SPACER
64	SD117	COVER (DRUM \varnothing 150mm)
66.1	SD118	SCREW DIN 963 M 4 x 8
66.2	SD119	COVER PROTECTOR
78.4	SD120	TIRE FOR WHEEL \varnothing 80
81	SD121	SPRING
90	SD122	COMPRESSION SPRING
92	SD123	WHEEL SHAFT
134	SD124	SANDING DRUM RUBBER
141	SD125	EXPANDABLE DRUM COMPLETE
145	SD126	CAPACITOR USA 100 MF
160	SD127	CIRCUIT BREAKER
121	SD128	DRUM RUBBER HANDY-8

The Powr-Flite Limited Warranty

The manufacturer warrants to the original purchaser that products manufactured are free from defects, provided such goods are installed, operated and maintained in accordance with written manuals or other instructions for a period of 1 year from date of purchase on workmanship, motor, and parts, switch, and yoke. In case you, as our customer, meet any trouble with your machine, contact a Powr-Flite representative, who will be happy to be of service to you and will take care of any warranty issues.

Powr-Flite[®]
COMMERCIAL FLOOR CARE EQUIPMENT

A Tacony Company

Ft. Worth, TX 76140

1-800-880-2913