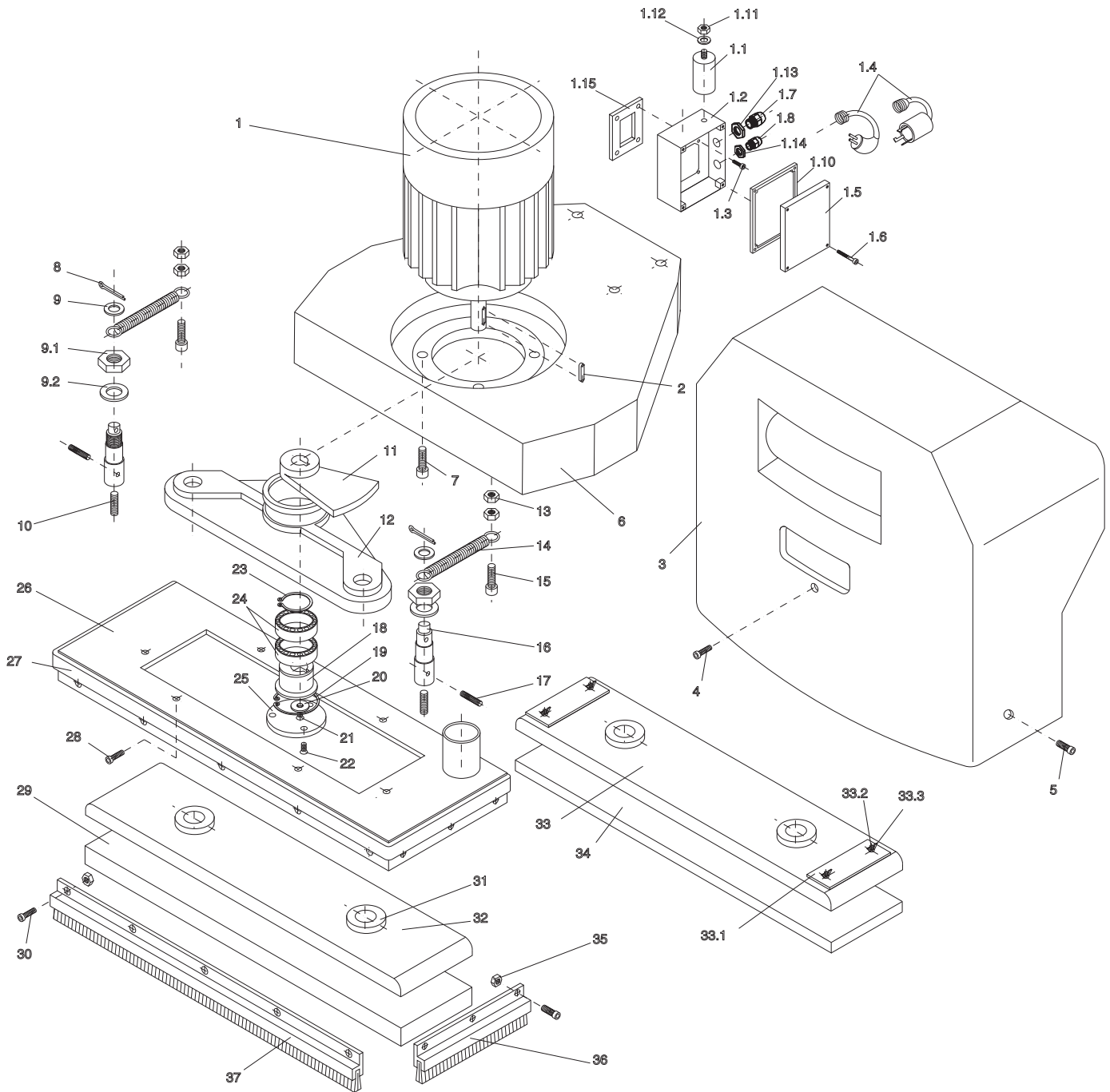


ASSEMBLY DRAWING AND SPARE PARTS LIST



ref#	part #	desc
1.1	SD129	CAPACITOR USA 100 MF
1.4	SD130	CABLE WITH PLUG USA
8	SD131	SPLIT PIN \varnothing 1,5 x 12
14	SD132	SPRING
10	SD133	SCREW DIN 913 M 6 x 5
16	SD134	SHAFT
17	SD135	PRESSIONING SCREW M 10
26	SD136	HOUSING
27	SD137	BUMPER
29	SD138	SANDPAPER SUPPORT
31	SD139	BUSHING
32	SD140	SANDPAPER PLATE
34	SD141	RUBBER
36	SD142	DUST BRUSH (SHORT)

ref#	part #	desc
37	SD143	DUST BRUSH
39.2	SD144	LAMP 9W 115V/60Hz
53	SD145	HANDLE ACCESS M 8
54	SD146	WASHER DIN 125 M 10
59	SD147	PROFIL BRACKET
62	SD148	WHEEL \varnothing 80
68	SD149	SCREW DIN 931 M 8 x 130
82	SD151	FAN HOUSING
79	SD152	VACUUM MOTOR USA
	SD153	DUST BAG
	SD154	PLATE WITH WING NUTS COMPLETE
	SD155	PLATE WITH FOAM COMPLETE
	SD156	VELCRO 115/400

DECLARATION OF CONFORMITY

DECLARATION OF CONFORMITY

GUIDE, S.A. declare under our responsibility that the floor sanding machine model ORBI meets the requires standards of safety and health with respect to the design and manufacture of machinery, according to the below mentioned regulations.

EEC regulations regarding to:

Machines (89/392/EEC)

Low voltage (73/23/EEC)

Electromagnetic compatibility (89/336 EEC)

(Last changed through 93/68/EEC from 22.7.1993.)

In conformity with the following standards:

EN 292 Part 1 and Part 2 (Safety of machinery, equipment and systems)

EN 60204.1 (Electrical equipment of industrial machines)



WARRANTY

WARRANTY

Powr-Flite warrants new products manufactured and sold under the name of Powr-Flite to be free from defects in materials and workmanship under normal use and service, provided such goods are installed, operated and maintained in accordance with written manuals or other instructions for a period of 1-year. Powr-Flite's obligation under this warranty is limited to repairing or replacing, at our option, such products or parts which are returned to our factory authorized service center, within the warranty period and are found to be defective in materials or workmanship. This warranty does not apply to excessive wear caused by abnormal use, nor does it apply to normal wear parts such as main cable, wheels, switches, relays, brushes, rubber parts, hoses and bearings.

This warranty is in lieu of all other warranties expressed or implied, and releases Powr-Flite from all other obligations and liabilities.

Powr-Flite assumes no responsibility for repairs, and the cost of such repairs, made or attempted by persons other than those specifically authorized by Powr-Flite. Any such unauthorized repairs shall void this warranty.

Powr-Flite
COMMERCIAL FLOOR CARE EQUIPMENT

A Tacony Company

Ft. Worth, TX 76140

1-800-880-2913
