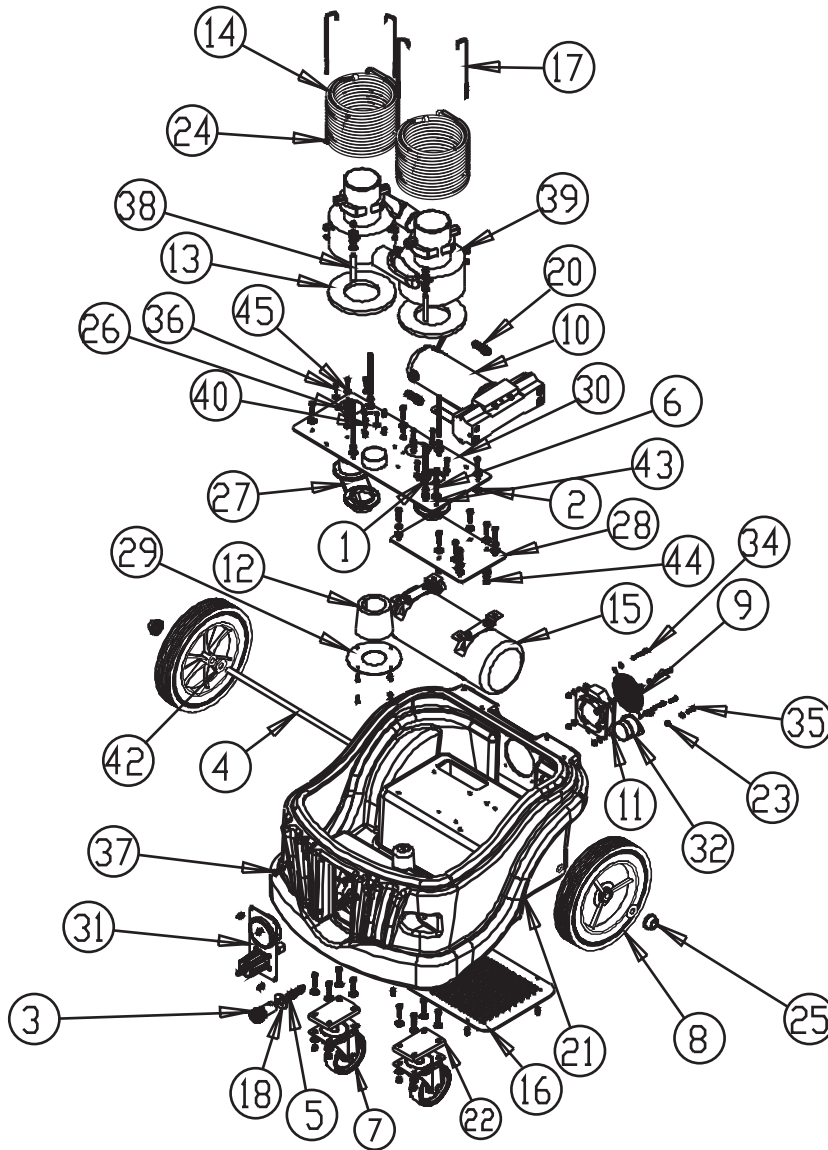


MODEL PFX1080 SERIES CARPET EXTRACTOR PARTS

PFX1080 base assembly

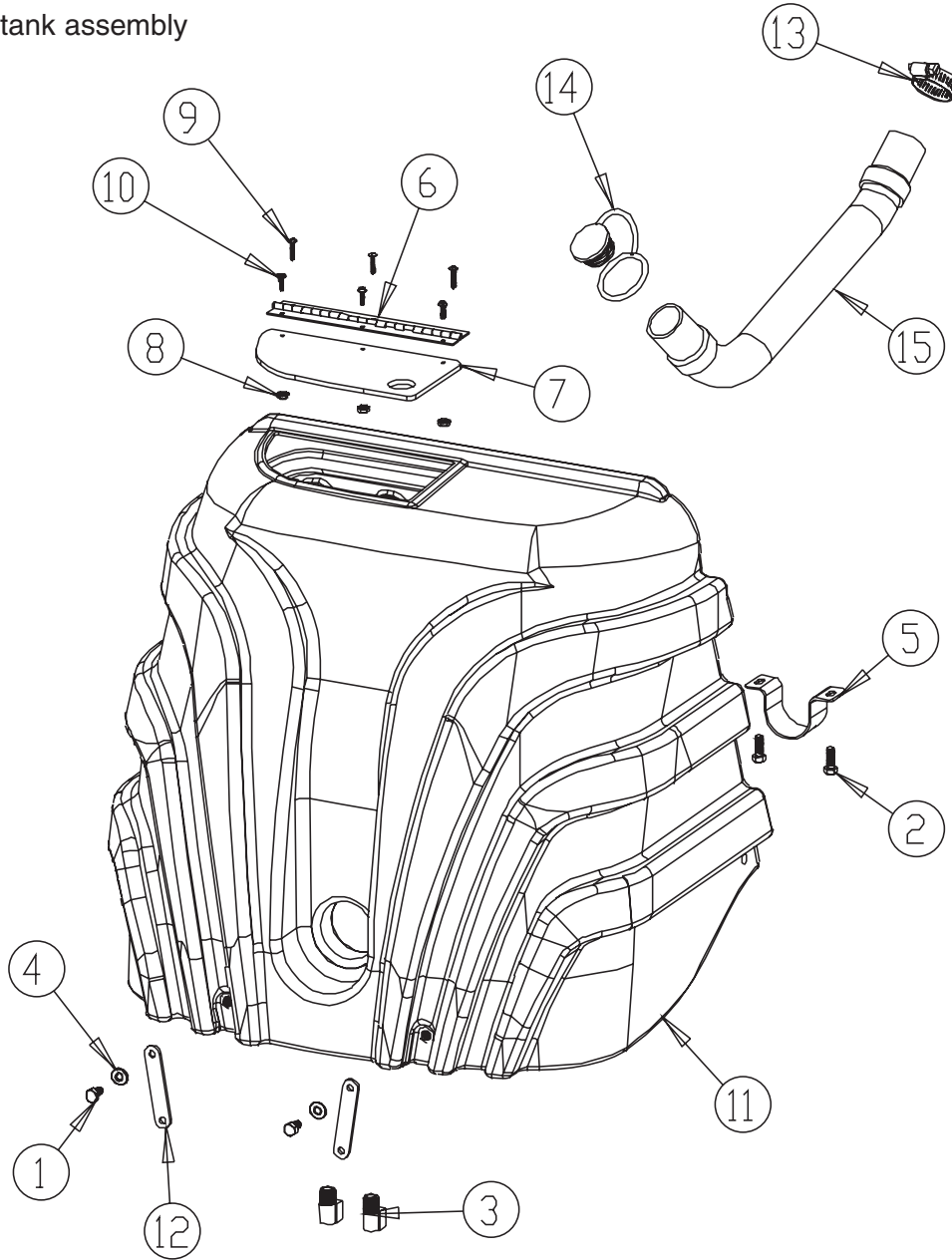


ref#	description	order #
1	10-24 ALL THREAD	72000A
2	WASHER 5/16 SAE FLAT ZINC	X8235+
3	1/4" QUICK DISCONNECT PX6+	
4	AXLE REAR MID SIZE	X9463+
5	BARB, 1/2 HOSE 1/4 MALE	7AT004
6	BOLT 1/4-20 X 1"	X8211+
7	CASTER, 4" BLACK	71474A
8	WHEEL 10" GREY	X9063+
9	COVER FAN	72702A
10	PUMP 200 PSI 115V; PUMP 100 PSI 115V PUMP 500 PSI 115V	PT400+ X9179+ PT400MS
11	FAN COOLING 115V	72700A
12	FDAM, MUFFLER, MID SIZE EXTRACTOR	X9470+
13	GASKET, VACUUM MOTOR SEAL	70020B
14	HEAT COIL	72713A
15	HEATER DUAL ELEMENT	X9105+
16	HEATER COVER, MID SIZE EXTRACTOR	X9464+
17	J-HOOK 6.25" 2-STAGE	X9424+
18	WASHER, 1/2 USS FLAT ZINC	X8239+
19	NUT KEP 1/4-20"	7BF004
20	BARB, 1/2H 3/8M	PX218+
21	MEDIUM SIZE EXTRACTOR BASE	X9441+
22	SPACER, CASTER	72783A
23	NUT 8-32 KEPS	X8256+

ref#	description	order #
24	NUT 10-32 KEPS	7BF008
25	NUT PUSH 1/2"	7GL002
26	NUT, KEP 10-24 ZINC	7BF003
27	PLASTIC VACUUM CHAMBER	X9467+
28	PLATE, HEATER /PUMP, MID SIZE EXTRACTOR	X9465+
29	PLATE MUFFLER MID SIZE EXTRACTOR	X9471+
30	PLATE VACUUM MID SIZE EXTRACTOR	X9466+
31	PRESSURE GAUGE ASSEMBLY PLATE, 100 PSI	X9501+ X9494+
32	RECEPTACLE, FLANGED INLET STRAIGHT BLADE	X9429+
33	SCREW SHEET METAL #8X5/8" BLACK	72387A
34	SCREW, 8-32 X 1 3/4" MACHINE PH ZINC	C9476+
35	SCREW, 8-32 X 3/4", MACHINE PH ZINC	C8298+
36	SCREW, 10-24 X 3/4 MACHINE PH BLACK	C8276+
37	SCREW, 1/4-20 X 1 PHIL PAN	7BS003
38	SPACER VAC MOTOR	72651A
39	VACUUM 2-STAGE VACUUM 3-STAGE	1942-IE+ 72365A
40	VACUUM CHAMBER GASKET	X9468+
41	WASHER #8 FLAT, BLACK	X9362+
42	WASHER 1/2 USS FLAT 18-8 SS	7CM007
43	WASHER 1/4 MED SPLIT LOCK ZINC	X8212+
44	WASHER 1/4 MED SPLIT LOCK ZINC	X8213+
45	WASHER, #10 FLAT ZINC	X8225+

MODEL PFX1080 SERIES CARPET EXTRACTOR PARTS

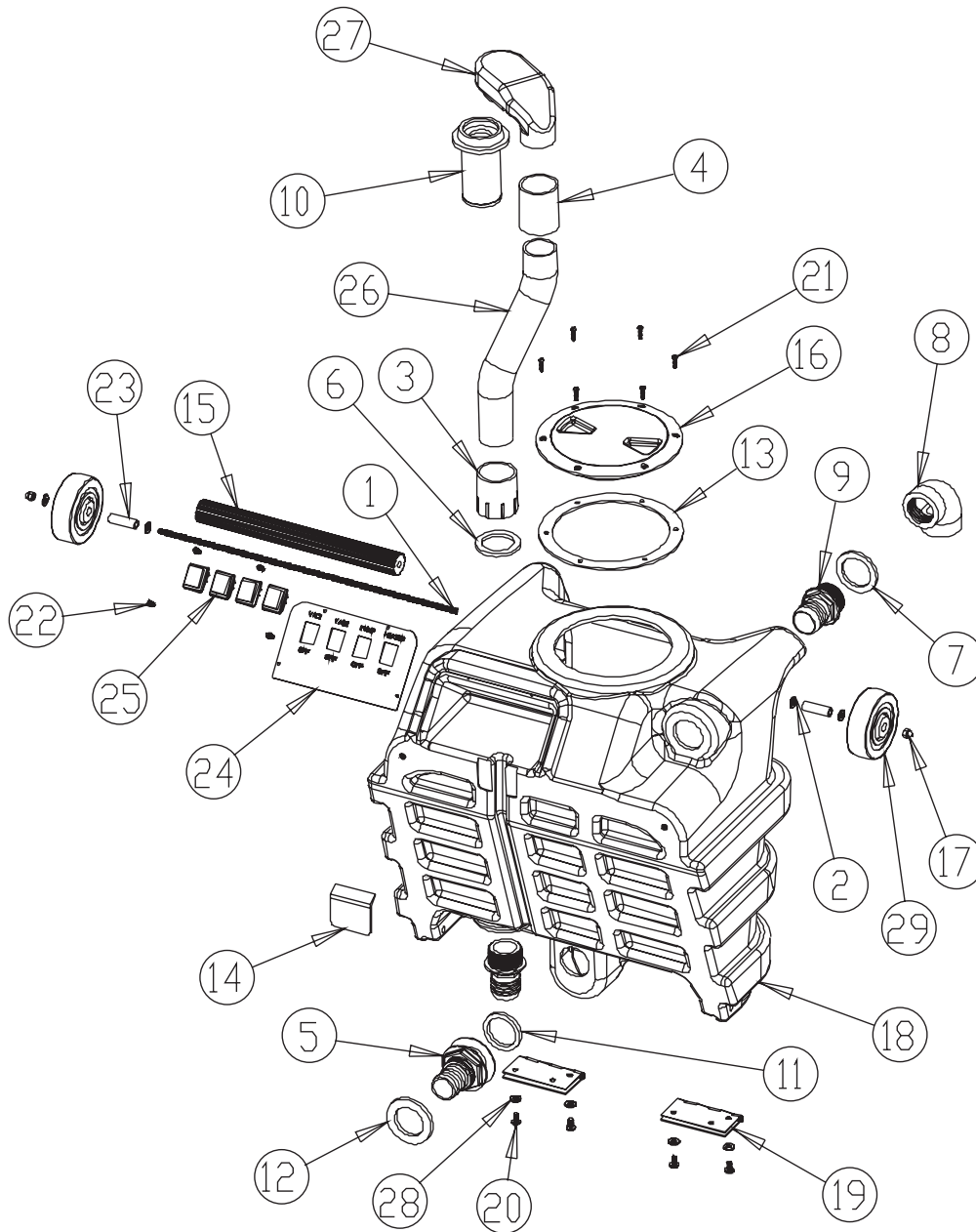
PFX1080 recovery tank assembly



ref#	description	order #	qty
1	1/4-20 X 1/2 HEX CAP SCREW	X8209+	2
2	1/4-20 X 3/4 HEX CAP SCREW	X8268+	2
3	1/4" 90 DEGREE STREET ELBOW	PC49+	2
4	1/4" FLAT WASHER	X8235+	4
5	CLAMP, DISCHARGE VALVE	X9448+	1
6	HINGE SOLUTION TANK LID	X9450+	1
7	LID, SOLUTION TANK	X9451+	1
8	NUT 8-32 KEPS ZINC	X8256+	3
9	SCREW SHEET METAL #8X3/4" BLACK	X9349+	3
10	SCREW, 8-32 X 1/2" MACHINE PH BLACK	X8278+	3
11	SOLUTION TANK AS MOLDED	X9442+	1
12	STRAP, FRONT, MID SIZE EXTRACTOR	X9444+	2
13	CLAMP, 1 1/2" WORM GEAR	7DL005	1
14	PLUG DRAIN HOSE	PS36+	1
15	DRAIN HOSE	PS37+	1

MODEL PFX1080 SERIES CARPET EXTRACTOR PARTS

PFX1080 solution tank assembly



ref#	description	order #	qty	ref#	description	order #	qty
1	1/4-20 X 18.75 ALL THREAD ZINC	X9452+	1	15	HANDLE, MID SIZE EXTRACTOR	X9453+	1
2	1/4" FLAT WASHER	X8235+	4	16	LID, SCREW IN 6" CLEAR W/ BLACK RING	PX103+	1
3	COUPLER PLASTIC 1 1/2 SLIP/THREAD	PX63+	1	17	NUT CAP 1/4-20 ACORN SS	7DN002	2
4	COUPLING PVC 1 1/2"	72615A	1	18	RECOVERY TANK AS MOLDED	X9443+	1
5	DRAIN FITTING 1" HOSE BARB	72677A	1	19	SCE TANK HINGE	X9014+	2
6	DUMP VALVE GASKET 1 1/2 2.5 OD 1/75 RUBBER	PX14+	1	20	SCREW 1/4-20 X 1/2 PHIL PAN	7BS003	4
7	DUMP VALVE GASKET 1 1/2 2.5 OD 1/75 RUBBER THIN	PX14A+	1	21	SCREW SHEET METAL #8 X 3/4" BLACK	X9349+	6
8	FITTING 1 1/2" 90 DEGREE ELL, PLASTIC	PX11A+	1	22	SCREW SHEET METAL #8 X 5/8" BLACK	72387A	4
9	FITTING PLASTIC 1 1/2"NPT 1 1/2" HOSE BARB	PX25+	2	23	SPACER, 1.625 LONG .5OD, .313 ID	72486A	2
10	FLOAT CAGE W/ HEAV BALL	PX31+	1	24	SWITCH PANEL, MID SIZE EXTRACTOR	X9455+	1
11	GASKET DRAIN INNER 1.8 ID 2.3 OD	X9461+	1	25	SWITCH ROCKER, DPST 20A	PX87+	4
12	GASKET DRAIN OUTER 1.8 ID 2.8 OD	X9462+	1	26	VACUUM STANDPIPE, MID SIZE EXTRACTOR	X9456+	1
13	GASKET LID.8" ODX6 5/8" ID 1/8" THICK	PX103G+	1	27	VACUUM TUBE	PX33+	1
14	GASKET SWITCH WIRES MID SIZE EXTRACTOR	X9454+	1	28	WASHER ID.299 OD.622 THK.055	X8858+	4
				29	WHEEL, BLACK 4" X 1 1/4"	X8025+	2