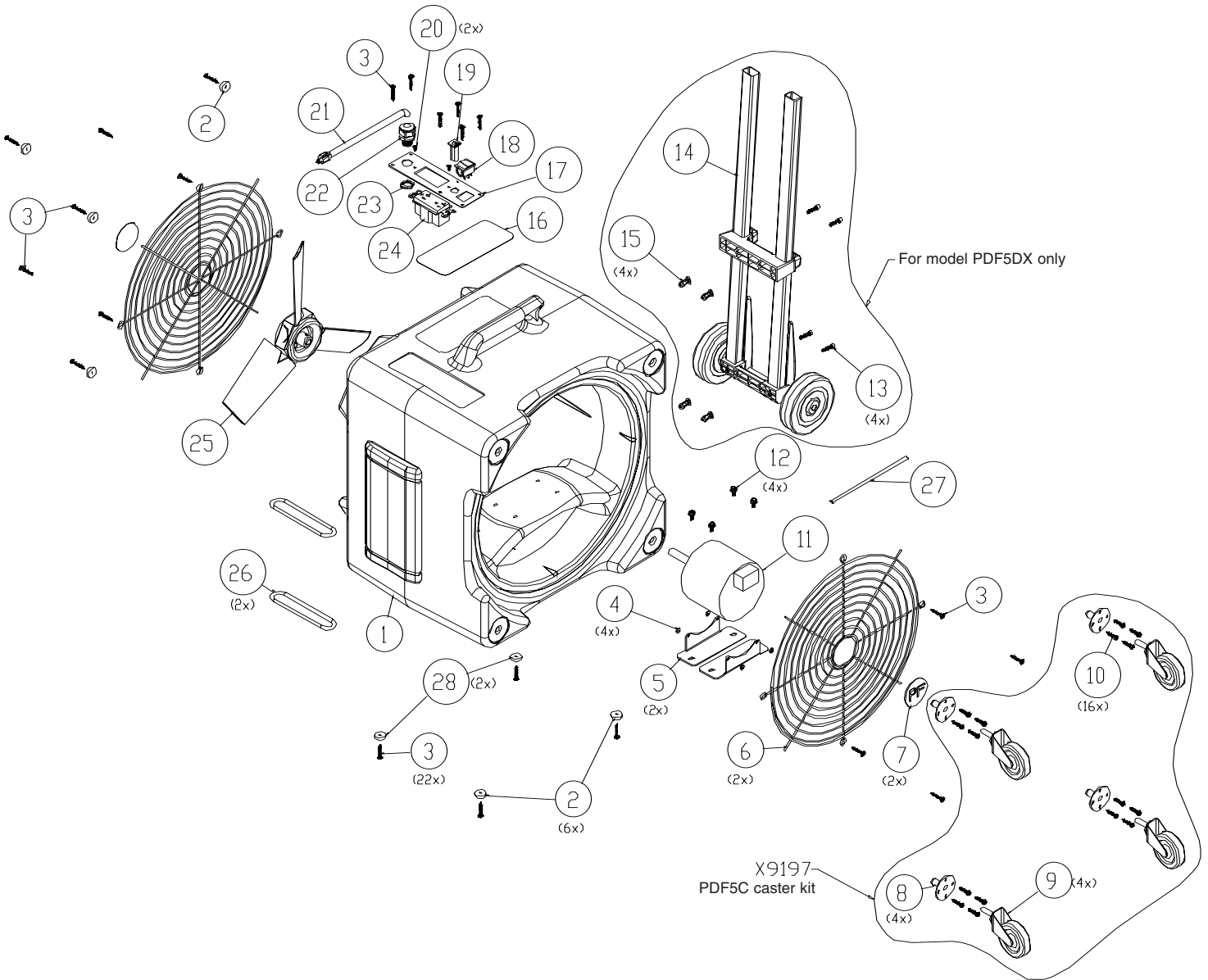


# ASSEMBLY



## Parts for PDF5, PDF5C, PDF5DX

ref#	part #	description
01	X9180	Housing, Axial Fan
02	PD3C	Foot, Black Rubber, Short
03	X9098	Screw, #10 x 1", A point, Pan Head
04	X8260	Nut, 8-32 Lock, w/ Nylon Inserts
05	72719A	Bracket, Axial Fan Motor
06	X9183	Grill Axial Fan
07	X9189	Label, Round (at grill)
08	X9195	Caster Receiver
09	P50	Wheel and Socket
10	72020A	Screw, Self-Tap, PHMS, Zinc, #12 x 1"
11	X9181	Motor, 115 VAC, .25 HP, 4-Pole
12	X8209	Screw, 1/4-20 x 1/2", Self Locking Flange
13	X9065	Screw, Hex Socket Cap, 1/4-20 x 1"
14	X8990N	Handle / Wheel Assembly, Narrow

ref#	part #	description
15	X8848	Jacknut, 1/4-20, Steel, #8LJN
16	X9190	Label, Product
17	72721A	Switch Panel
18	X9048	Rocker Switch
19	X918	Circuit Breaker, 12A
20	X9188	Screw, 6-32 x 3/8", Black MS
21	X8926	20' HD, 3-wire cord, 16/3 SJTW, 115 volts
22	PD8	Strain Relief, 1/2" NPT
23	X8008N	Nut, Lock, 1/2" Steel Conduit
24	X9187	GFCI outlet, Female Plug
25	X9182	Fan Blade Assembly
26	F631	Round Belt
27	72470A	Heat Shrink, Blk, 1/2" x 200'
28	PD3B	Foot, Black Rubber, Tall

Use PD3C for units with handle / wheel assembly (PDF5DX)