

Powr-Flite[®]

COMMERCIAL FLOOR CARE EQUIPMENT

Model PF20BP Backpack Vacuum

OPERATING INSTRUCTIONS

COMMERCIAL AND HOUSEHOLD
BACKPACK VACUUM CLEANERS

CONGRATULATIONS

YOU HAVE JUST ACQUIRED A HIGH QUALITY VACUUM
CLEANER. PLEASE READ THIS MANUAL CAREFULLY,
BEFORE OPERATING YOUR NEW VACUUM CLEANER.
KEEP MANUAL ON HAND FOR FURTHER REFERENCES.



Save These Instructions

SAVE THESE INSTRUCTIONS FOR FUTURE REFERENCE

*When using an electrical back pack vacuum cleaner, basic precautions should be followed.

*Read all instructions before using vacuum cleaner.

WARNING

To reduce risk of fire, electric shock, or injury:

- Do not use outdoors or on wet surfaces.
- Do not leave vacuum cleaner unattended when plugged in. Turn off the switch and unplug the electrical cord when not in use and before servicing.
- Do not allow to be used as a toy. Close attention is necessary when used by or near children.
- Use only as described in this manual. Only manufacturer's recommended attachments.
- Do not use with damaged cord or plug. If vacuum cleaner is not working as it should, has been dropped damaged, left outdoors, or dropped into water, return it to a service center before using.
- Do not pull or carry by cord, use cord as a handle, close a door on cord, or pull a cord around sharp edges or corners. Do not run vacuum cleaner over cord. Keep cord away from heated surfaces.
- Do not use extension cords or outlets with inadequate current carrying capacity.
- Turn off all controls before unplugging.
- Do not handle plug or vacuum cleaner with wet hands.
- Do not put any objects into openings. Do not use with any opening blocked, keep free of dust, lint, hair, and anything that may reduce airflow.
- This vacuum cleaner creates suction. Keep hair, loose clothing, fingers, and all parts of body away from openings.
- Do not pick up anything that is burning or smoking, such as cigarettes, matches or hot ashes. Do not use without dust bag in place. Use extra care when cleaning on stairs. Do not use to pick up flammable or combustible liquids such as gasoline, or use in areas where they may be present.
- Store your cleaner indoors in a cool, dry area.
- Do not unplug by pulling on cord. To unplug, grasp the plug, NOT THE CORD.

THESE MODELS ARE GROUNDED, CONNECT TO A PROPERLY GROUNDED OUTLET ONLY - SEE GROUNDING INSTRUCTIONS.

GROUNDING INSTRUCTIONS

This appliance must be grounded. If it should malfunction or breakdown, grounding provides a path of least resistance for electric current to reduce the risk of shock. This appliance is equipped with a cord having an equipment-grounding conductor and grounding plug. The plug must be inserted into an appropriate outlet that is properly installed and grounded in accordance with all local codes and ordinances.

WARNING - Improper connection of the equipment-grounding conductor can result in a risk of electric shock. Check with a qualified electrician or service person if you are in doubt as to whether the outlet is properly

grounded. Do not modify the plug provided with the appliance - if it will not fit the outlet, have a proper outlet installed by a qualified electrician.

This appliance is for use on a normal 120 volt circuit, and has a grounded plug that looks like the plug illustrated in sketch A. A temporary adapter that looks like the adapter illustrated in fig B and C may be used to connect this plug to a 2-pole receptacle as shown in fig B if a properly grounded outlet is not available. The temporary adapter should be used only until a properly grounded outlet (fig A) can be installed by a qualified electrician. The green colored rigid ear, lug, or the like extending from the adapter must be connected to a permanent ground such as a properly grounded outlet box cover. Whenever the adapter is used, it must be held in place by a metal screw.

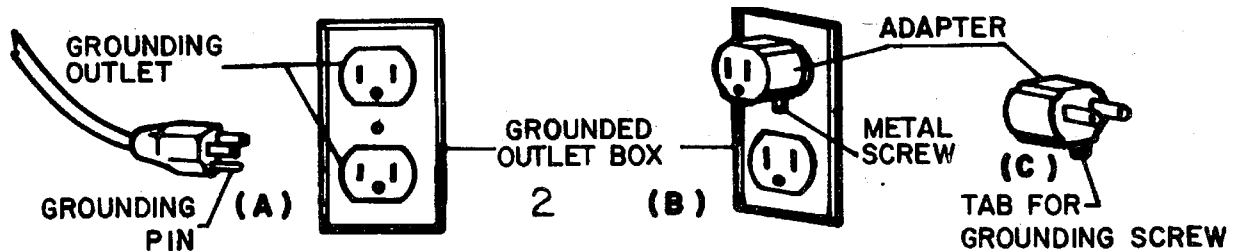
Note: In Canada, the use of a temporary adapter is not permitted by the Canadian Electrical Code.

SAFETY PRECAUTIONS

- Do not vacuum water or liquids.
- Do not vacuum up hard or sharp objects, as they may damage the hose, vacuum bag or the vacuum motor.
- Do not drop the vacuum on the floor.
- Do not operate the vacuum while it is standing on high-pile carpet. It is essential that the exhaust airflow is not restricted.
- Do not wash or launder the cloth vacuum bag. It would destroy the filtration capacity of the fabric.
- Do not kink or twist the power cord.
- Do not attempt to service the vacuum yourself. Repair by anyone other than an authorized repair service may void the warranty.

MAINTENANCE

- Clean the cloth vacuum bag regularly. After emptying the vacuum bag, turn it inside out and shake as much dust out of the fabric as possible. Optimum performance is achieved by using a paper vacuum bag with the cloth bag.
- Check the power cord for damage. Always unwind the cable completely.
- Ensure that the vacuum hose, the extension wand and the vacuuming accessories are not blocked.
- Ensure that the electrical outlet and the plug are securely connected. Incorrect connections may cause sparking and damage to the cable socket.
- Have your Backpac Vac served by an authorized repair service if you suspect any potential problems.
- Use only approved paper vacuum bags.
- Ensure that the flexible vacuum bag ring provides a proper seal before vacuuming.



OPERATION INSTRUCTIONS

Please read the following operating instructions carefully. They will help you to get the best performance from this professional quality vacuum cleaner and to maintain it in optimum condition.

Follow these simple steps for easy and effective operation of the Backpack Vac.

Open the lid and ensure that the cloth bag is correctly located and the flexible ring provides a proper seal when the lid is closed. For optimum filtration and maximum hygiene, it is advisable to use a paper vacuum bag in addition to the standard cloth bag.

If you use a paper vacuum bag, simply insert it into the cloth bag, making sure that the cardboard disk is centered on the flexible sealing ring. When you replace the lid, the short nozzle in the center of the lid will be forced into the central hole of the cardboard disk of the paper vacuum bag thus providing a tight seal. Make sure the paper vacuum bag is tightly secured over the short nozzle before vacuuming.

Lock the lid down with the two latches. Please note that the lid may be located for either right or left handed operation. Always ensure that the vacuum bag is empty before vacuuming. Your Backpack Vac as been fitted with a thermal overload switch to protect the motor against damage should the airflow be blocked for extended periods. This may occur if the vacuum bag is overfull or if the vacuum hose is blocked. The vacuum motor will stop before it can get too hot. If it happens, empty and thoroughly clean the vacuum bag or free any blockage and ensure that adequate airflow is restored. The motor will automatically restart after it has cooled to a safe operating temperature.

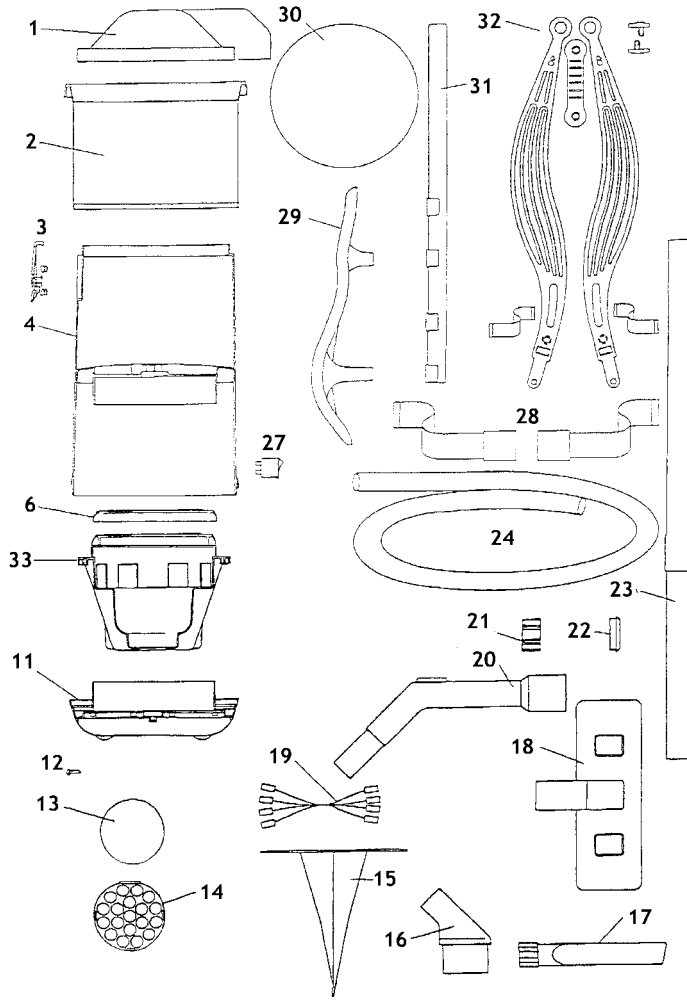
1. The vacuum hose is fitted into the screw hub in the lid. It should not be necessary to remove the hose in normal operation. If you wish to remove the hose it may be unscrewed from the lid. To unscrew it, hold the lid in one hand and with the other, turn the hose in a counter clockwise direction. To refit the hose, reverse this operation and turn the hose in a clockwise direction.
2. Place the Backpack Vac on your back, adjust the shoulder straps until you feel comfortable and then tighten the waist belt. The Backpack Vac is designed to ride higher on your back for maximum comfort.
3. Plug the cord into a 110 volt, grounded outlet. Always unwind the cord completely before vacuuming. It is important to maintain the power cord in good condition. Use care when pulling the cord around sharp edges and through doorways

Never operate the Backpack Vac if the power cord is damaged in any way.

4. Attach the extension wand to the pistol grip and fit the floor tool or any of the other vacuuming accessories on the wand.
5. Turn the vacuum on. The toggle switch is located near the bottom of the Backpack Vac.
6. To adjust the suction on the Backpack Vac, open the by-pass valve on the pistol grip, regulating it until you attain the proper suction.



Model PF10BP and PF20BPParts



ref #	order #	description
1	BP1	lid
2	BP2	dust bag
3	BP3	lid clamp lid clamp assembly
4	BP4	body
6	BP5	motor seal
11	BP7	motor cover
12	BP8	motor cover screws
13	BP9	filter pad - external
14	BP14	filter cover
15	BP27	paper dust bag
16	BP25	dusting brush
17	BP26	crevice tool
18	BP24	floor tool
19	BP13	wire loom set
20	BP22	hand piece
21	BP19	screw hub
22	BP20	clip ring
23	BP21	extension wand
24	BP18	vac hose
27	BP12	rocker switch
28	BP17	waist harness inc: webbing & clip
29	BP11	back support
30	BP10	filter pad - internal
31	BP15	frame
32	BP16	shoulder strap assembly
33	BP31	motor assembly

The Power-Flite Limited Warranty

The manufacturer warrants to the original purchaser that products manufactured are free from defects, provided such goods are installed, operated and maintained in accordance with written manuals or other instructions for a period of 1 year from date of purchase on workmanship, motor, and parts, 2 years on fan, switch, and yoke. In case you, as our customer, meet any trouble with your machine, contact a Power-Flite representative, who will be happy to be of service to you and will take care of any warranty issues.

Power-Flite
COMMERCIAL FLOOR CARE EQUIPMENT

A Tacony Company

Ft. Worth, TX 76140

1-800-880-2913