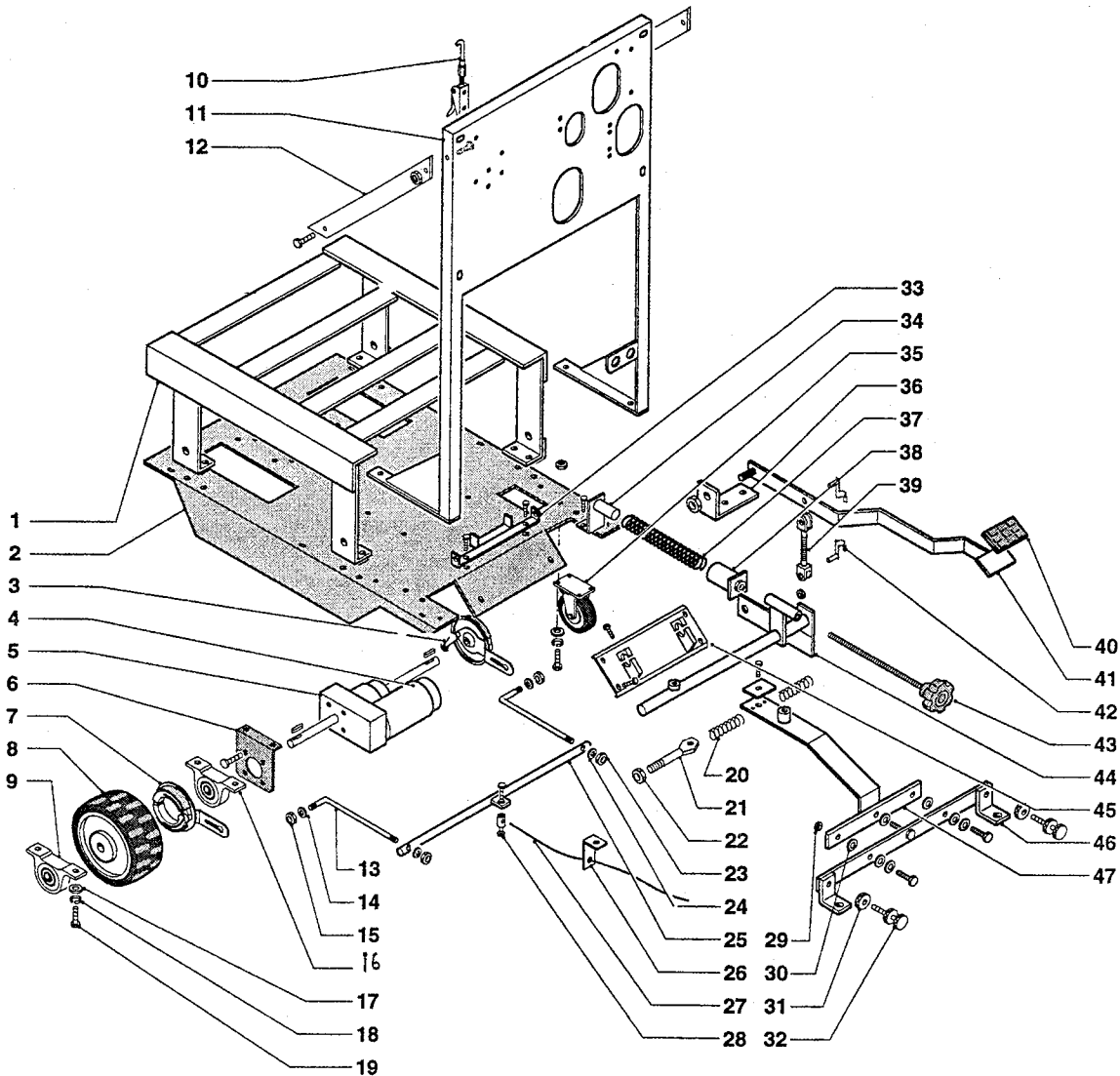


Automatic Scrubbers

Parts for PAS32SHP



ref#	order	description	each
1	860.001	Support	*
2	860.002	Frame	*
3	PAS900	Drum Brake	29.38
4	PAS901	Motor, traction	355.01
5	PAS902	Differential gear	465.95
6	PAS903	Yoke	23.81
7	PAS904	Drum Brake, left	29.38
8	PAS905	Wheel, traction	213.00
9	PAS906	Bearing and housing	44.79
10	PAS132	Hook	219.42
11	860.011	Back Frame	*
12	PAS900	Yoke	29.38
13	860.013	Rod	*
14	860.014	Washer	*
15	860.015	Nut	*
16	PAS61	Bearing and housing	23.14
17	PAS188	Washer	.18
18	PAS907	Lockwasher	.14
19	PAS190	Screw	.60
20	PAS908	Spring	3.15
21	PAS909	Tie Rod	3.32
22	PAS176	Nut	.25
23	860.023	Nut	*

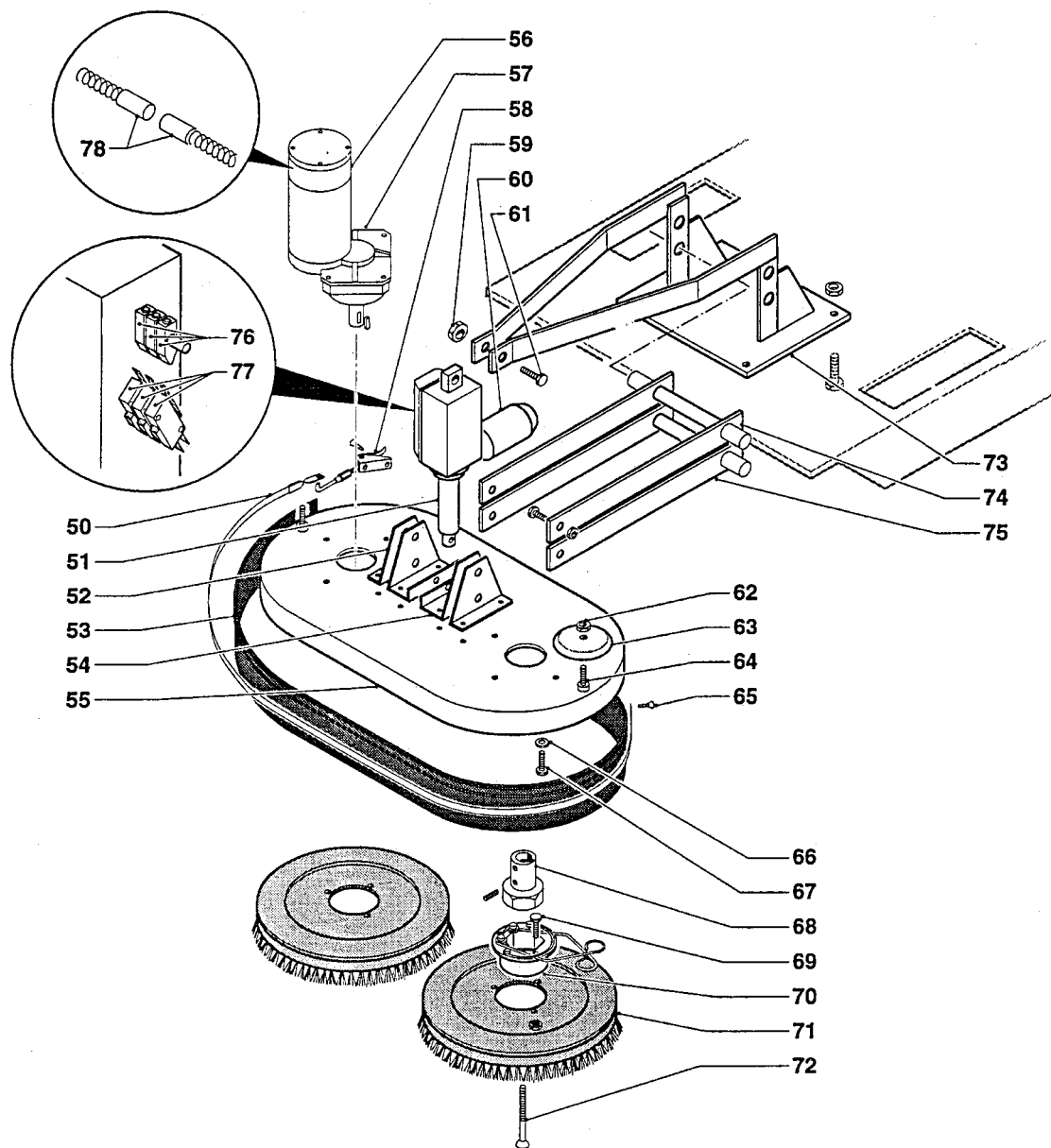
ref#	order	description	each
24	860.024	Washer	*
25	860.025	Shaft	*
26	860.026	Yoke	*
27	PAS910	Cable, brake	3.45
28	PAS173	Clamp	1.13
29	PAS911	Nut	.16
30	PAS912	Washer, nylon	.78
31	PAS33	Ring Nut	4.39
32	PAS34	Regulator	6.48
33	860.033	Support	*
34	860.034	Support with Spring	*
35	PAS913	Swivel Castor	37.68
36	PAS257	Bracket	6.00
37	PAS914	Spring, squeegee	18.52
38	PAS915	Stop, spring	7.26
39	PAS916	Tie Rod	18.27
40	PAS917	Pedal Cover	26.22
41	860.041	Pedal	*
42	PAS918	Pin	5.67
43	PAS65	Screw rod, pressure bracket	.38
44	860.044	Lever	*
45	860.045	Support	*
46	860.046	Support	*
47	860.047	Lever	*

Fax Orders to 817.551.0719

Orders before 1 PM Ship The Same Day!

Automatic Scrubbers

Parts for PAS32SHP

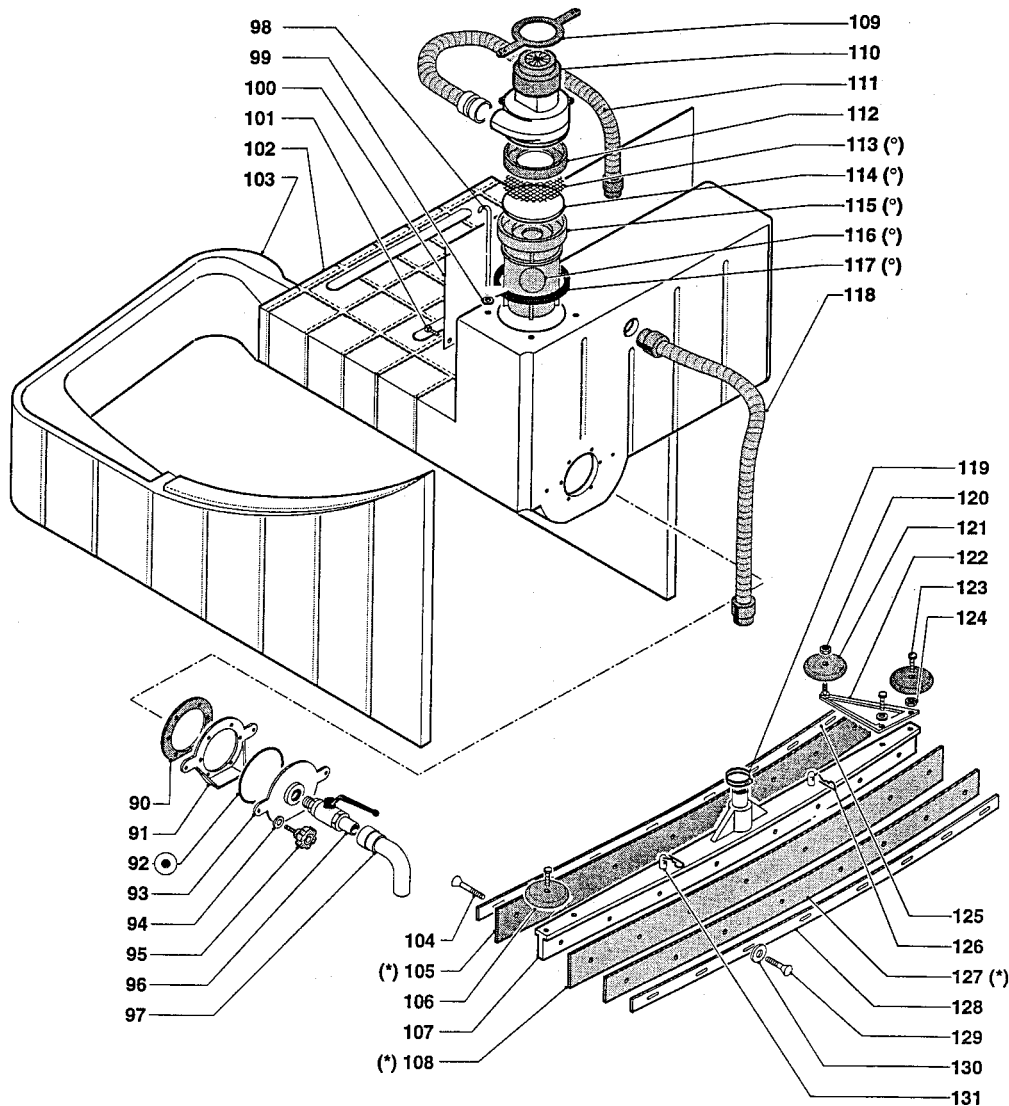


ref#	order	description	each
50	PAS919	Strap, bumper	18.38
51	PAS920	Pressure Drive	167.75
52	860.052	Bracket	*
53	PAS921	Splash Guard	36.70
54	860.054	Plate	*
55	860.055	Support	*
56	PAS922	Motor, brush drive	287.78
57	PAS956	Gear Unit	287.78
58	PAS122	Hook	16.20
59	PAS923	Nut, pressure drive	.51
60	PAS957	Motor, pressure	164.46
61	PAS958	Screw	.64
62	PAS924	Nut	.51
63	PAS1	Buffer Wheel	8.26
64	PAS925	Screw	.36
65	PAS926	Screw	.30
66	PAS146	Washer	.13

ref#	order	description	each
67	PAS927	Screw	.30
68	PAS5	Coupling	7.09
69	PAS65	Screw	.38
70	PAS6A	Support with Spring	20.52
71	PAS962	Poly-Scrub .028 Dia. Scrub Brush Nylon	124.07
	PAS963	Nylo-Grit .050 Dia. 80 Grit HD	341.00
	PAS964	Strata-Grit .060 Dia. 46 Grit Concrete	341.03
	PAS961	Drive Block	123.28
	PAS965	Powr-Scuff .018 Dia. 500 Grit Gen Scrub	229.45
	PAS966	Powr-Scrub II .022 Grit Deep Scrub	247.25
72	PAS111	Coupling Screw	1.43
73	860.073	Support	*
74	860.074	Superior Lever	*
75	860.075	Inferior Lever	*
76	860.076	Cam	*
77	PAS928	Micro Switch	16.78
78	PAS929	Carbon Brush	12.33

Automatic Scrubbers

Parts for PAS32SHP

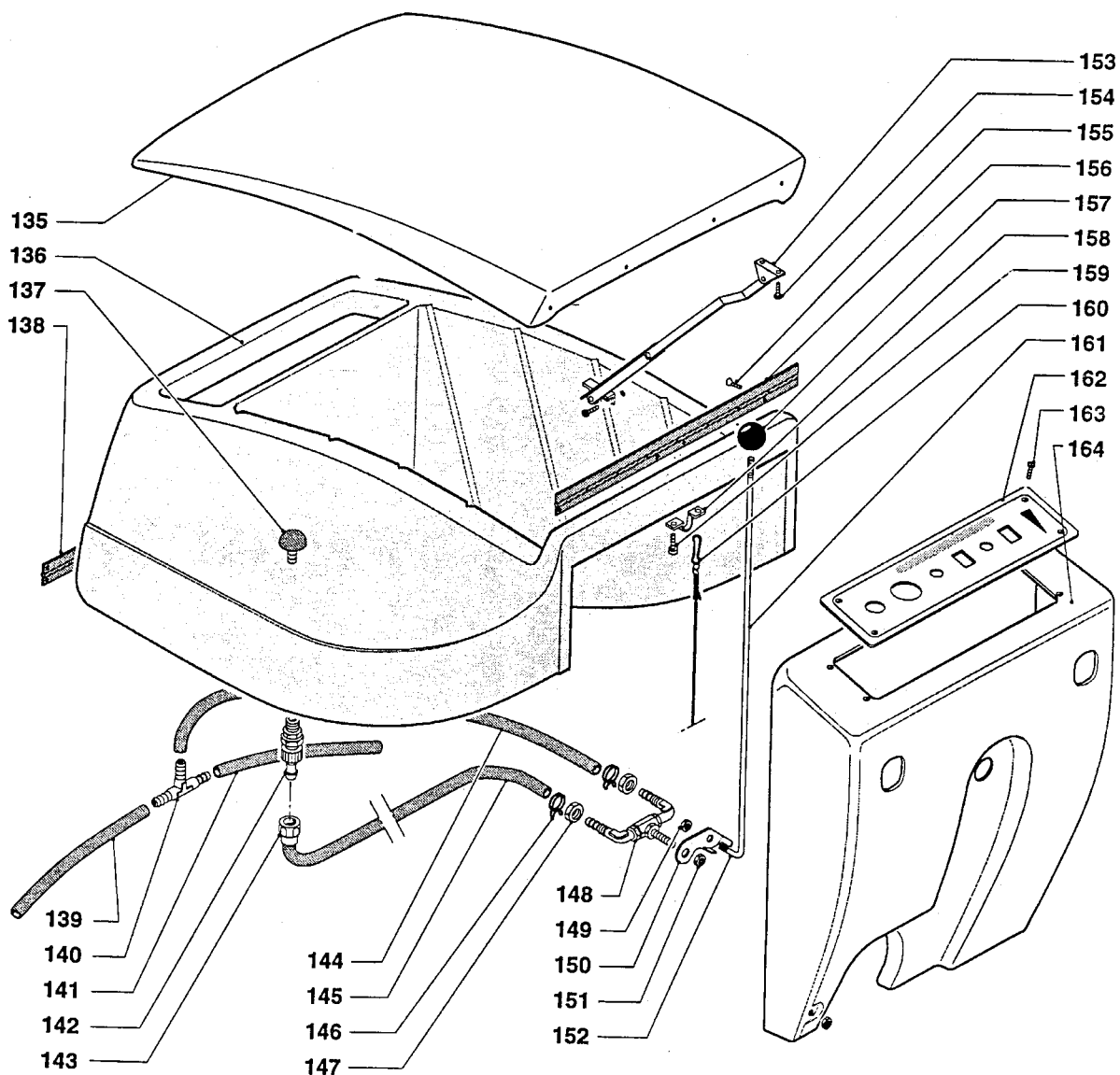


ref#	order	description	each
(*)	PAS17	Complete Float Level	32.18
(*)	PAS930	Kit, Squeegee 3 piece	47.15
90	PAS70	Gasket	6.38
91	PAS71	Fixed Flange	31.47
92	PAS72	Gasket	5.75
93	PAS73	Movable Flange	29.28
94	PAS186	Washer	.48
95	PAS174	Knob	.86
96	PAS75	Dump Valve	33.01
97	PAS187	Elbow, Drain	11.81
98	PAS150	Tie Rod	5.16
99	PAS146	Washer	.13
100	860.100	Screw	*
101	PAS147	Screw	.41
102	PAS204	Vacuum Tank	*
103	860.103	Housing Collar	*
104	PAS223	Screw	.29
105	PAS931	Black Rubber, Squeegee	10.73
106	PAS1	Bumper Wheel	8.26
107	PAS932	Squeegee Frame	95.28
108	PAS933	Squeegee Main Blade	17.13
109	PAS15	Lock Ring	4.02

ref#	order	description	each
110	1932A	Vac Motor, 2 stg, 36V	118.66
111	PAS37	Flex Hose	7.81
112	PAS102	Motor Gasket	7.12
113	F909	Filter Screen (includes pos. 114)	1.37
115	PAS85	Support	11.20
116	PAS210	Float Level	21.46
117	PAS103	Gasket	7.12
118	PAS80	Intake Hose	15.58
119	PAS191	Hose Collars	2.67
120	PAS935	Nut	.78
121	PAS1	Bumper Wheel	8.26
122	PAS182	Right Vibration Damper	16.29
123	PAS936	Screw	.36
124	PAS937	Nut	.21
125	PAS938	Outer Bar, Squeegee	17.60
126	PAS959	Split pin, Squeegee	.78
127	PAS939	Squeegee Stiffener	17.96
128	PAS940	Outer Bar, Rear	17.96
129	PAS223	Screw	.29
130	PAS941	Washer	.14
131	PAS942	Support Stud, Squeegee	2.99
▲	PAS969	Squeegee Complete	255.07

Automatic Scrubbers

Parts for PAS32SHP

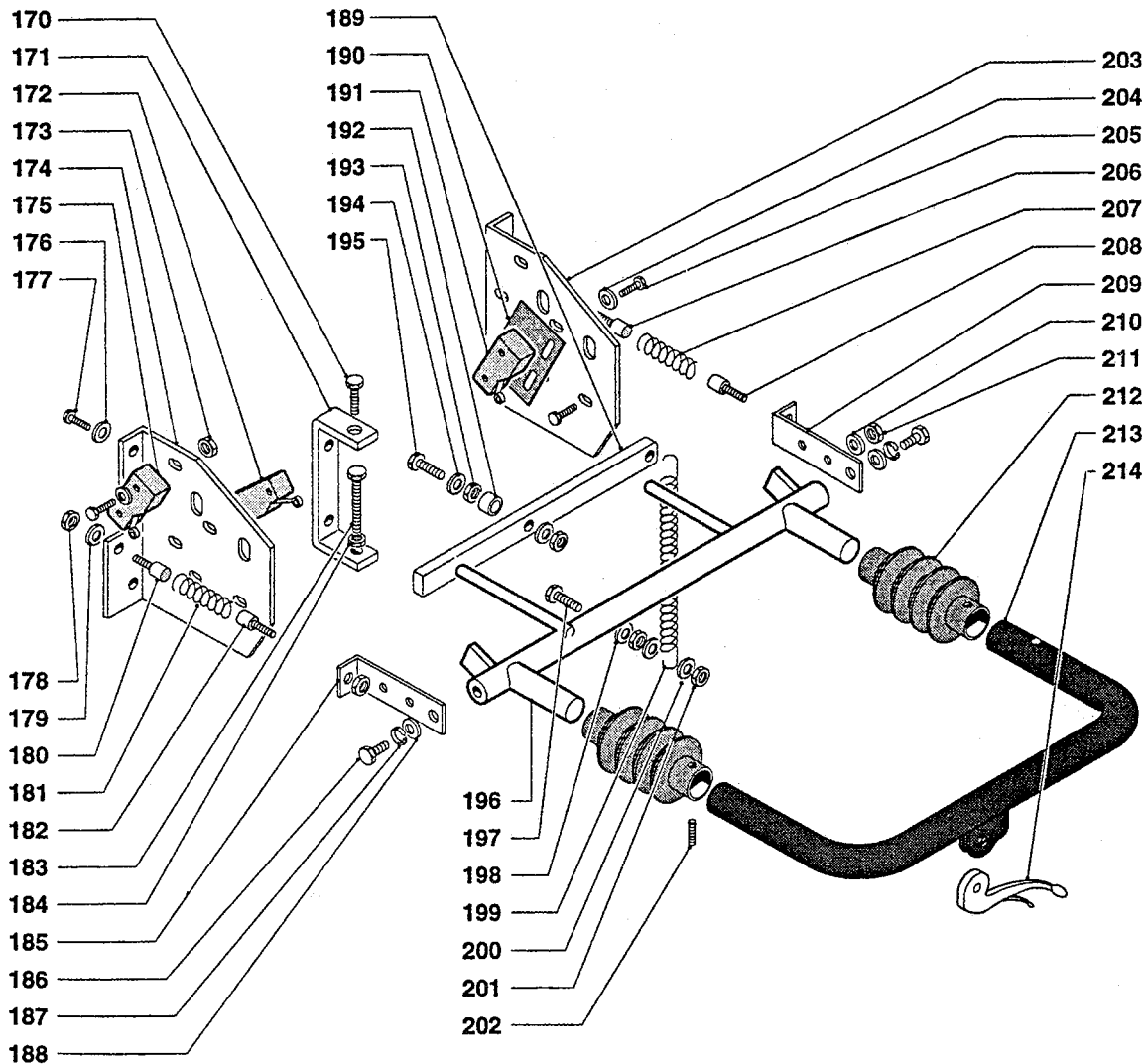


ref#	order	description	each
135	PAS943	Lid	195.45
136	PAS944	Solution Tank	339.76
137	PAS3	Filter	5.00
138	860.138	Hinge	*
139	860.138	Hose	*
140	PAS82	Hose Converter	14.52
141	PAS945	Hose, Solution	3.30
142	PAS83	Quick Connection, Male	14.03
143	PAS947	Quick Connection, Female	5.39
144	PAS946	Hose, Solution	3.56
145	860.154	Hose	*
146	PX42	Hose Clamp	1.03
147	PAS262	Nut	.24
148	PAS12	Solution Valve	35.54
149	PAS146	Nut	.13

ref#	order	description	each
150	PAS269	Lever	5.24
151	PAS149	Nut	.26
152	700.161	Rod	*
153	PAS84	Support	31.00
154	PAS153	Screw	1.05
155	700.155	Screw	*
156	PAS948	Lid Hinge	19.52
157	PAS11	Knob	2.24
158	700.158	Support	*
159	430.056	Screw	*
160	700.160	Hook, Cord	*
161	PAS155	Rod	75.75
162	PAS949	Control Panel	30.54
163	PAS153	Screw	1.05
64	860.164	Housing, Rear	*

Automatic Scrubbers

Parts for PAS32SHP



ref#	order	description	each
170	860.170	Nut	*
171	850.444	Support	*
172	PAS56	Micro Switch	16.21
173	430.296	Nut	*
174	850.468	Handle Support, Left	*
175	PAS56	Micro Switch	16.21
176	PAS146	Washer	.13
177	430.072	Screw	*
178	PAS149	Nut	.26
179	PAS146	Washer	.13
180	700.182	Screw	*
181	850.445	Spring	*
182	700.182	Screw	*
183	650.372	Screw	*
184	PAS176	Nut	.25
185	850.446	Screw	*
186	PAS936	Screw	.36
187	PAS907	Lockwasher	.14
188	PAS188	Washer	.18
189	PAS136	Yoke	12.46
190	860.190	Rubber Tube	*
191	PAS56	Micro Switch	16.21
192	PAS138	Spacer	5.96

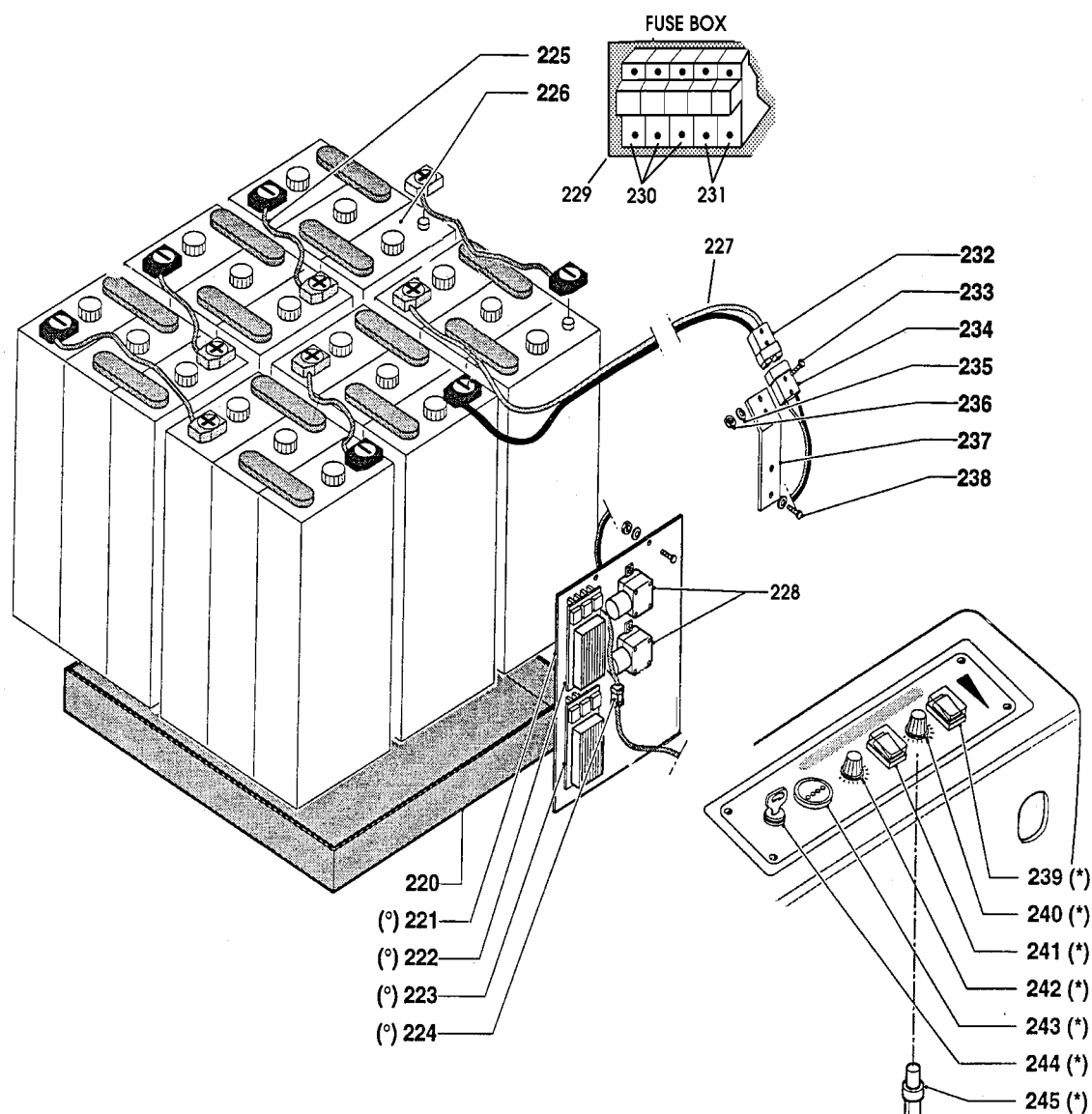
ref#	order	description	each
193	PAS935	Nut	.78
194	PAS137	Washer	.19
195	PAS936	Screw	.36
196	850.487	Handle Frame	*
197	PAS197	Screw	.60
198	PAS146	Washer	.13
199	PAS139	Spring	6.50
200	PAS146	Washer	.13
201	PAS149	Nut	.26
202	PAS148	Dowel	.41
203	850.496	Handle Support, Right	*
204	430.297	Washer	*
205	430.299	Screw	*
206	700.182	Screw	*
207	850.445	Spring	*
208	700.182	Screw	*
209	850.446	Square	*
210	700.182	Screw	*
211	PAS149	Nut	.26
212	650.423.1	Bellows, Handle	*
213	850.484	Handle	*
214	PAS166	Brake Lever	42.26

Fax Orders to 817.551.0719

Orders before 1 PM Ship The Same Day!

Automatic Scrubbers

Parts for PAS32SHP



ref#	order	description	each
220	PAS950	Battery Tray	62.90
222	PAS951	Micro Processor Speed Control	227.10
223	PAS952	Micro Processor Pressure Control	227.10
224	PAS119	Fuse 6.3 amp	2.54
225	PAS141	Cable	6.73
226		6 volt, 244 amp Battery (not supplied) 6 Required	
227	PAS140	+/- Cable with Connection	24.17
229	PAS953	Remote Control	42.67
230	PAS118	20 amp Cylinder Fuse	3.70
231	PAS117	16 amp Cylinder Fuse	3.10

ref#	order	description	each
232	PAS59	Connection	8.95
234	PAS59	Connection	8.95
239	PAS54	Switch	4.18
240	PAS88	Knob	5.06
241	PAS54	Brush Switch	4.18
242	PAS88	Knob	5.06
243	PAS955	Battery Gauge	85.05
244	PAS55	Key Switch	21.91
245	PAS55	Potentiometer	22.68
	PAS53K	Key blank	7.10
	PAS53NS	Master switch and key	18.68
	PAS53KNS	Key for PAS53NS	5.96