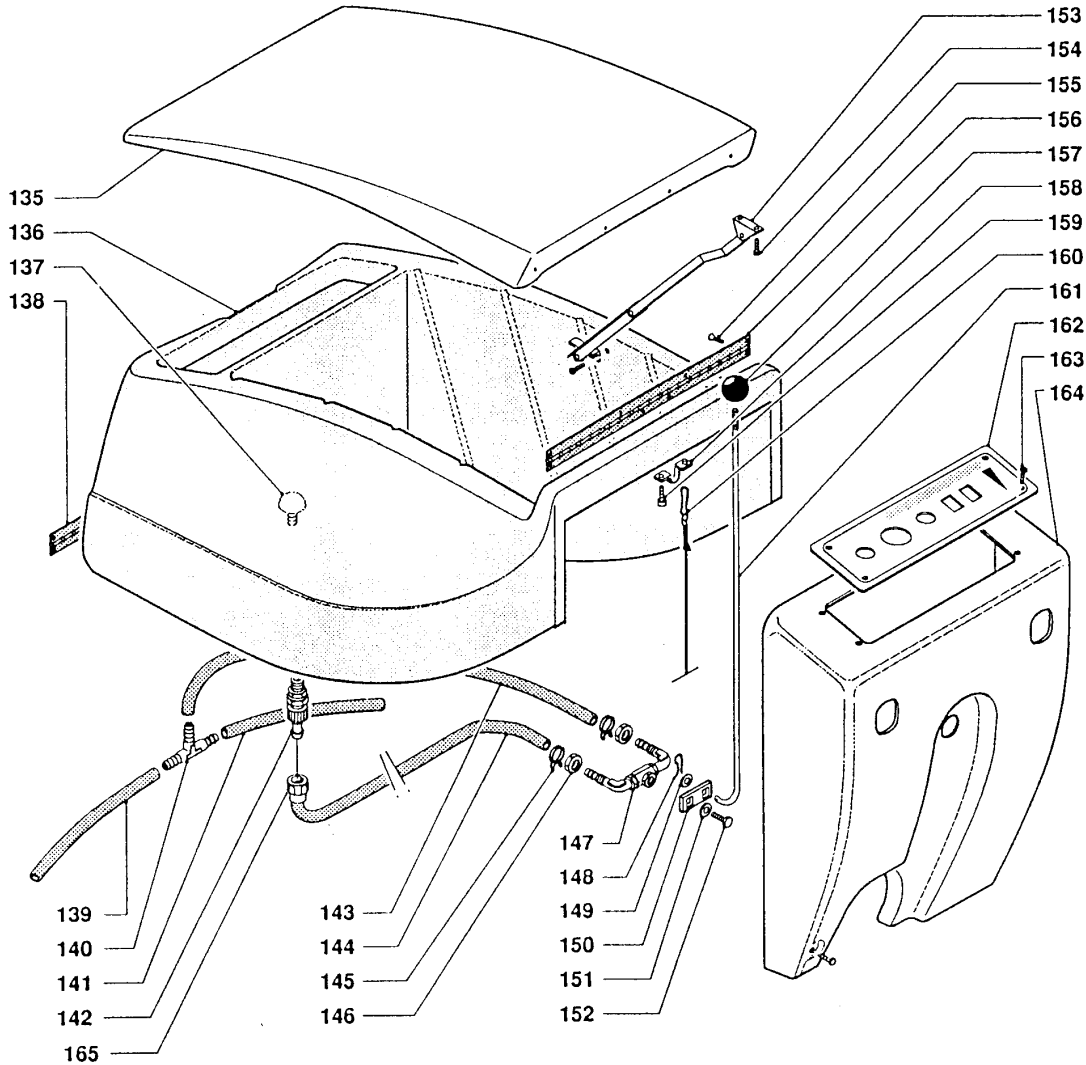


Automatic Scrubbers

Parts for PAS28

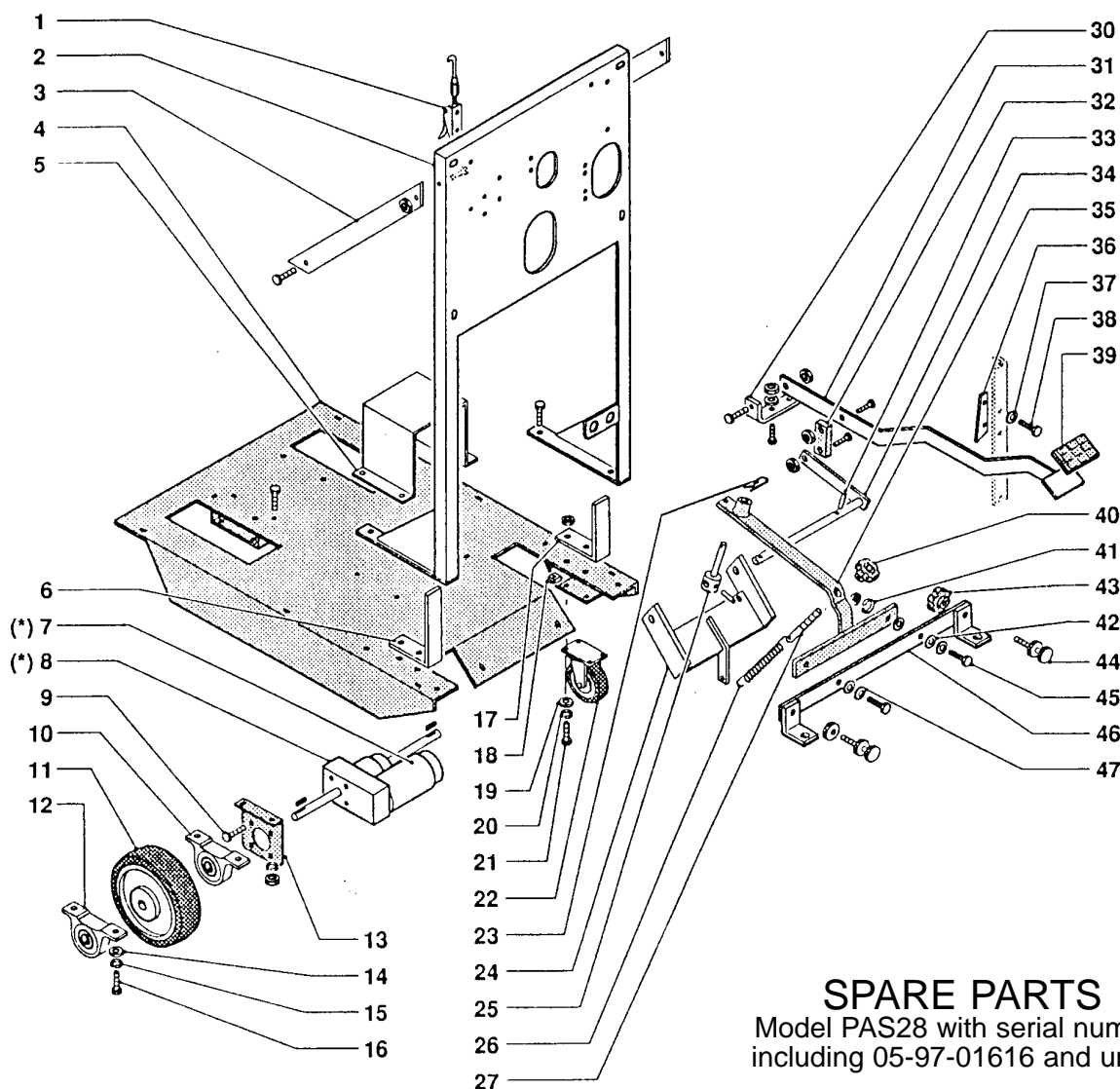


ref#	order	description	each
135	PAS806	Lid	155.70
136	PAS805	Solution tank	234.23
137	PAS3	Filter	5.00
138	700.138	Hinge	*
139	PAS288	Hose	3.42
140	PAS82	Hose fitting	14.52
141	PAS288	Hose	3.42
142	PAS83	Quick coupling	14.03
143	PAS288	Hose	3.42
144	PAS288	Hose	3.42
145	PX42	Hose collars	1.03
146	PAS262	Nut	.24
147	PAS12	Solution Valve	35.54
148	PAS268	Split pin	.30
149	PAS146	Washer	.13

ref#	order	description	each
150	500.268	Lever	*
151	PAS270	Washer	.14
152	PAS271	Screw	.85
153	PAS84	Lid support/Hinge	31.00
154	PAS153	Screw	1.05
155	700.155	Screw	*
156	PAS110	Hinge	25.36
157	PAS11	Knob	2.24
158	700.158	Support	*
159	430.056	Screw	*
160	700.160	Hook and cord	*
161	PAS155	Rod	75.75
162	PAS161	Control panel	38.73
163	PAS153	Screw	1.05
164	700.164	Housing	*
165	PAS83A	Quick connection	14.03

Automatic Scrubbers

Parts for PAS28



SPARE PARTS

Model PAS28 with serial number including 05-97-01616 and under

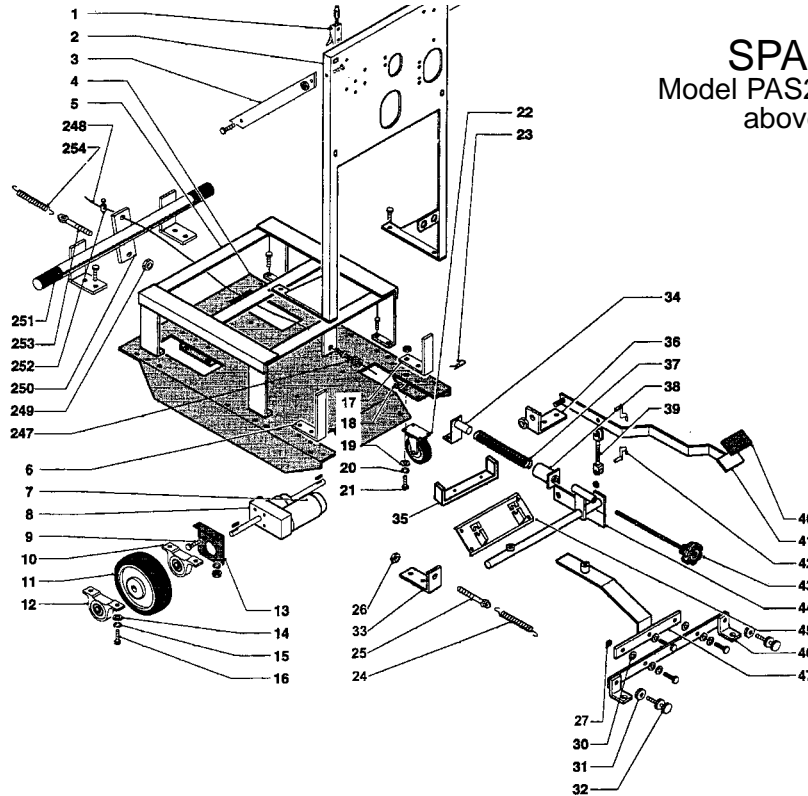
ref#	order	description	each
1	PAS122	Hook	16.20
2	PAS177	Back frame	117.36
3	700.003	Yoke	*
4	700.004	Frame	*
5	700.005	Support	*
6	700.006	Left pedal stop	*
(*) 7	PAS221	Drive motor (*)	241.74
8	PAS220	Differential gear (*)	338.71
(*) 9	PAS60	Drive motor, differential	619.89
9	PAS223	Screw	.29
10	PAS61	Support	23.14
11	PAS62	Wheel	52.07
12	PAS61	Bearing and housing	23.14
13	PAS222	Yoke	20.64
14	PAS188	Washer	.18
15	PAS907	Lock washer	.14
16	PAS190	Screw	.60
17	700.017	Right pedal stop	*
18	850.033	Cage nut	*
19	PAS188	Washer	.18
20	PAS907	Lock washer	.14
21	PAS190	Screw	.60
22	PAS51	Swivel caster	30.81
23	PAS266	Split pin	.61

ref#	order	description	each
24	PAS264	Support	20.16
25	PAS19	Pin	9.47
26	PAS31	Spring	6.67
27	PAS63	Tie rod	2.51
30	PAS257	Pedal bracket	6.00
31	PAS256	Squeegee pedal	26.75
32	PAS265	Cross member	7.35
33	PAS280	Elastic pin	.18
34	PAS195	Lever	14.12
35	PAS155	Lever	75.75
36	PAS259	Cam	8.11
37	PAS208	Bracket	.11
38	PAS147	Screw	.41
39	PAS14	Pedal cover	7.26
40	PAS64	Knob	4.68
41	PAS907	Lock washer	.14
42	PAS212	Nylon washer	.99
43	PAS33	Knob	4.39
44	PAS34	Regulator, squeegee	6.48
45	PAS213	Stainless steel screw	.80
46	PAS214	Support	32.40
47	PAS188	Washer	.18

* call for price and availability

Automatic Scrubbers

Parts for PAS28



SPARE PARTS
Model PAS28 with serial number
above 05-97-01616

ref#	order	description	each
1	PAS122	Hook	16.20
2	PAS177	Back Frame	117.36
3	700.003	Yoke	*
4	700.004	Frame	*
5	700.005	Support	*
6	700.006	Left pedal stop	*
7	PAS221	Drive motor (*)	241.74
8	PAS220	Differential gear (*)	338.71
(*)	PAS60	Drive motor, differential	619.89
9	PAS223	Screw	.29
10	PAS61	Bearing and housing	23.14
11	PAS62	Wheel	52.07
12	PAS61	Support	23.14
13	PAS222	Yoke	20.64
14	PAS188	Washer	.18
15	PAS907	Lockwasher	.14
16	PAS190	Screw	.60
17	700.017	Right pedal stop	*
18	850.033	Nut Clip	*
19	PAS188	Washer	.18
20	PAS907	Lockwasher	.14
21	PAS190	Screw	.60
22	PAS51	Caster/Steel Housing	30.81
23	PAS266	Split pin	.61
24	PAS31	Spring	6.67
25	PAS63	Pin/Tie Rod	2.51
26	PAS176	Nut	.25
27	PAS176	Nut	.25
30	PAS212	Washer	.99
31	PAS33	Ring Nut	4.39
32	PAS34	Regulator	6.48
33	PAS280	Support	.18
34	PAS195	Support, stud	14.12
35	PAS155	Support	75.75
36	PAS257	Bracket	6.00
37	PAS208	Spring	.11
38	PAS147	Stop	.41
39	PAS14	Tie rod	7.26
40	PAS64	Pedal cover	4.68
41	PAS14	Foot Pedal	7.26

ref#	order	description	each
42	PAS918	Pin	5.67
43	PAS65	Pressure regulator, squeegee	.38
45	PAS213	Support	.80
46	PAS214	Support	32.40
47	PAS188	Lever	.18
247	PAS170	Regulator	.72
248	PAS168	Cable	2.24
249	PAS176	Nut	.25
250	PAS178	Brake Support	25.44
251	PAS174	Rubber tube	.86
252	PAS173	Clamp	1.13
253	PAS63	Pin/Tie Rod	2.51
254	501.141	Spring	*

NOT ILLUSTRATED

PAS86	Battery tray	58.05
PAS218	Component support	28.36
PAS87	Micro Processor	213.05
PAS119	6.3 Amp Fuse	2.54
PAS141	Cable Jumper	6.73
PAS140	Neg. & Pos. cable	24.17
PAS117	16 Amp fuse	3.10
PAS118	20 Amp fuse	3.70
PAS57	Solenoid	37.99
PAS59	Connector	8.95
430.299	Screw	*
PAS59	Connector	8.95
PAS54	Vac switch	4.18
PAS54	Brush switch	4.18
PAS88	Knob	5.06
PAS89	Battery gauge	82.25
PAS53	Master switch	21.91
PAS53K	Key blank	7.10
PAS53NS	Master switch and key	18.68
PAS53KNS	Key for PAS53NS	5.96
PAS954	Fuse box	21.85
PAS237	Wiring panel	*
PAS238	Wiring plan	*

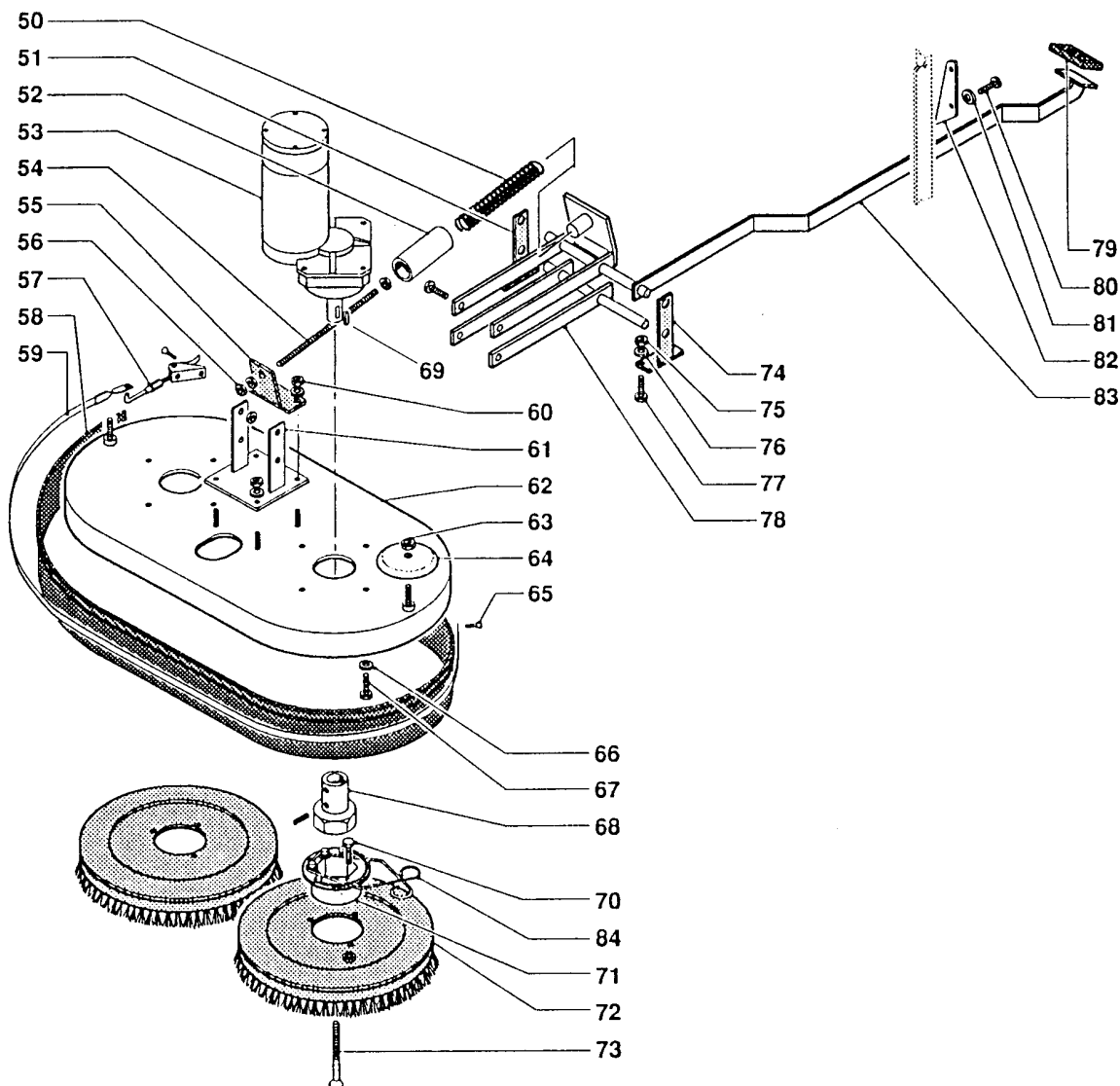
* call for price and availability

Fax Orders to 817.551.0719

Orders before 1 PM Ship The Same Day!

Automatic Scrubbers

Parts for PAS28



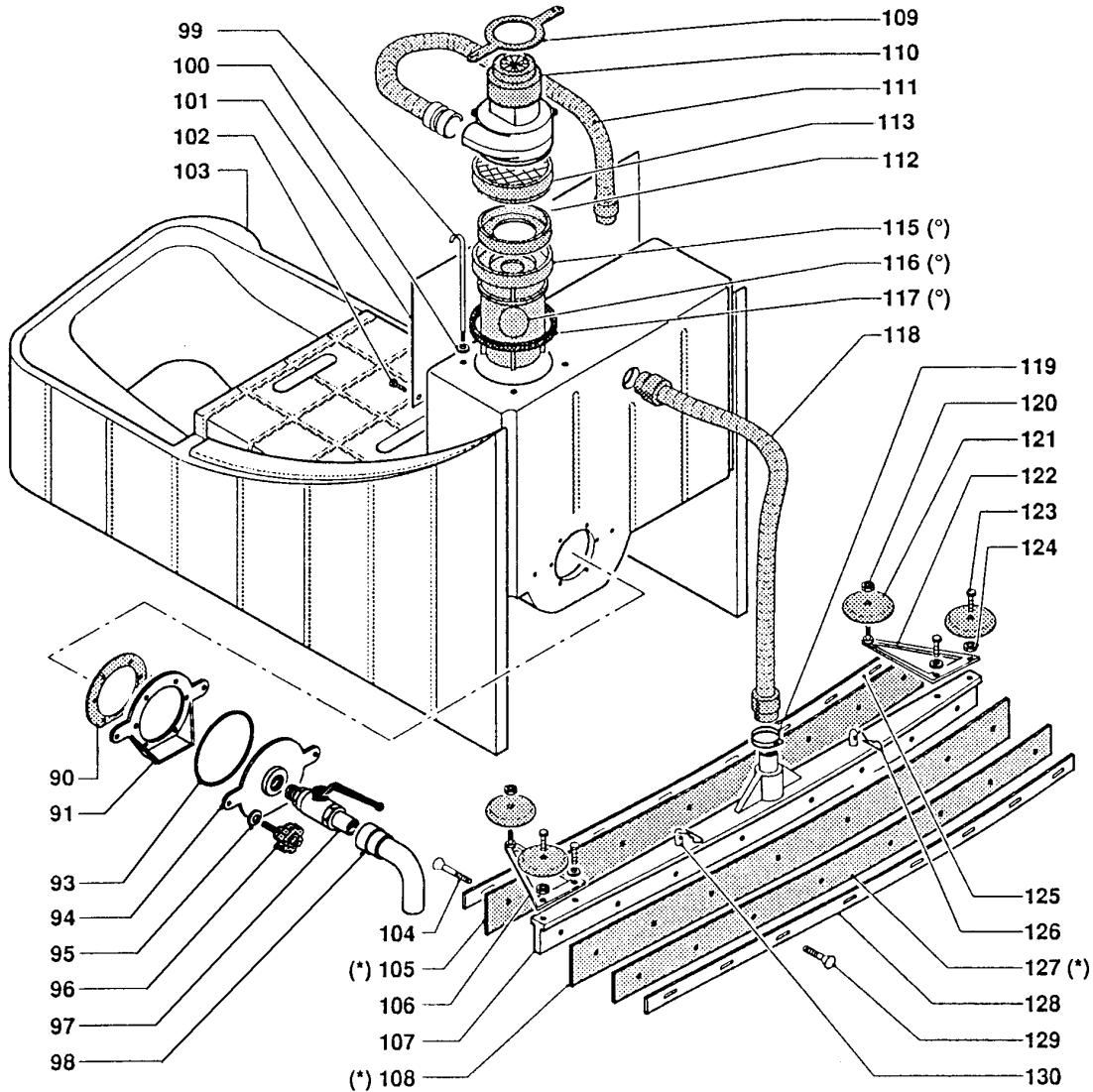
ref#	order	description	each
50	PAS156	Pressure spring	14.87
51	PAS224	Right support	36.89
52	PAS226	Spring support	11.54
53	PAS4	Geared motor	561.74
54	PAS163	Tie rod	6.21
55	PAS164	Support	20.52
56	850.058	Nut	*
57	PAS122	Hook & Latch	16.20
58	PAS2	Bumper	42.60
59	PAS108	Strap, Bumper	25.21
60	PAS176	Nut	.25
61	PAS165	Support	36.54
62	PAS225	Motor plate	266.07
63	PAS924	Nut	.51
64	PAS1	Vibration damper wheel	8.26
65	PAS926	Screw	.30
66	PAS146	Washer	.13
67	430.072	Screw	*
68	PAS5	Coupling, half	7.09
69	PAS101	Key, machine	1.45

ref#	order	description	each
70	PAS65	Screw	.38
71	PAS6A	Support with short spring	20.52
72	PAS67	Poly Scrub brush (2 brushes per set)	100.83
72	PAS68	Nylo Grit 2 brushes	266.61
72	PAS130	Strata Grit 2 brushes	266.62
72	PAS94	Scrub Grit II 2 brushes	236.58
72	PAS69	Pad holder	113.11
72	PAS133	Powr-Scruff brush	236.58
73	PAS111	Coupling Screw	1.43
74	PAS227	Left support	36.89
75	PAS176	Nut	.25
76	PAS188	Washer	.18
77	PAS167	Screw	2.08
78	PAS229	Lower lever	77.33
79	PAS14	Foot Cover	7.26
80	PAS147	Screw	.41
81	PAS208	Washer	.11
82	PAS258	Cam	8.11
83	PAS236	Brush lift pedal	94.22
84	PAS7	Spring for support	7.47
N/I	PAS380	Carbon brush PAS4, 47 motor	11.07

* call for price and availability

Automatic Scrubbers

Parts for PAS28



ref#	order	description	each
90	PAS70	Seal	6.38
91	PAS71	Fixed flange	31.47
93	PAS72	Seal	5.75
94	PAS73	Movable flange	29.28
95	PAS186	Washer	.48
96	PAS74	Knob	1.43
97	PAS75	Dump valve	33.01
98	PAS187	Fitting	11.81
99	PAS150	Tie rod	5.16
100	PAS146	Washer	.13
101	700.101	Plate	*
102	PAS147	Screw	.41
103	700.103	Water collection tank	*
104	PAS223	Screw	.29
105	PAS145	Black rubber (*) s	17.70
106	PAS181	Left vibration damper	16.29
107	PAS77	Squeegee body s	148.98
108	PAS143	Para rubber (*) s	20.39
109	PAS15	Motor stop ring	4.02
110	1924	Vac motor	157.59
111	PAS37	Flex hose	7.81
112	PAS102	Motor seal	7.12
113	F909	Screen/Filter	1.37

ref#	order	description	each
115	PAS85	Float support (°)	11.20
116	PAS210	Float (°)	21.46
117	PAS103	Seal (°)	7.12
(°)	PAS17	Complete float	32.18
118	PAS80	Intake hose	15.58
119	PAS191	Hose clamp	2.67
120	PAS935	Nut	.78
121	PAS1	Vibration damper wheel	8.26
122	PAS182	Right vibration damper	16.29
123	PAS936	Screw	.36
124	PAS937	Nut	.21
125	650.178	Outer bar	*
126	PAS959	Split pins	.78
127		Optional Squeegee Blade (*) s	*
(*)	PAS76	Squeegee Blade Set	40.71
128	PAS261	Outer bar	26.32
129	PAS223	Screw	.29
130	PAS942	Support stud	2.99
31	700.131	Tank	*
▲	PAS78	Squeegee assembly complete	232.94
▲	PAS90	Heater	23.45

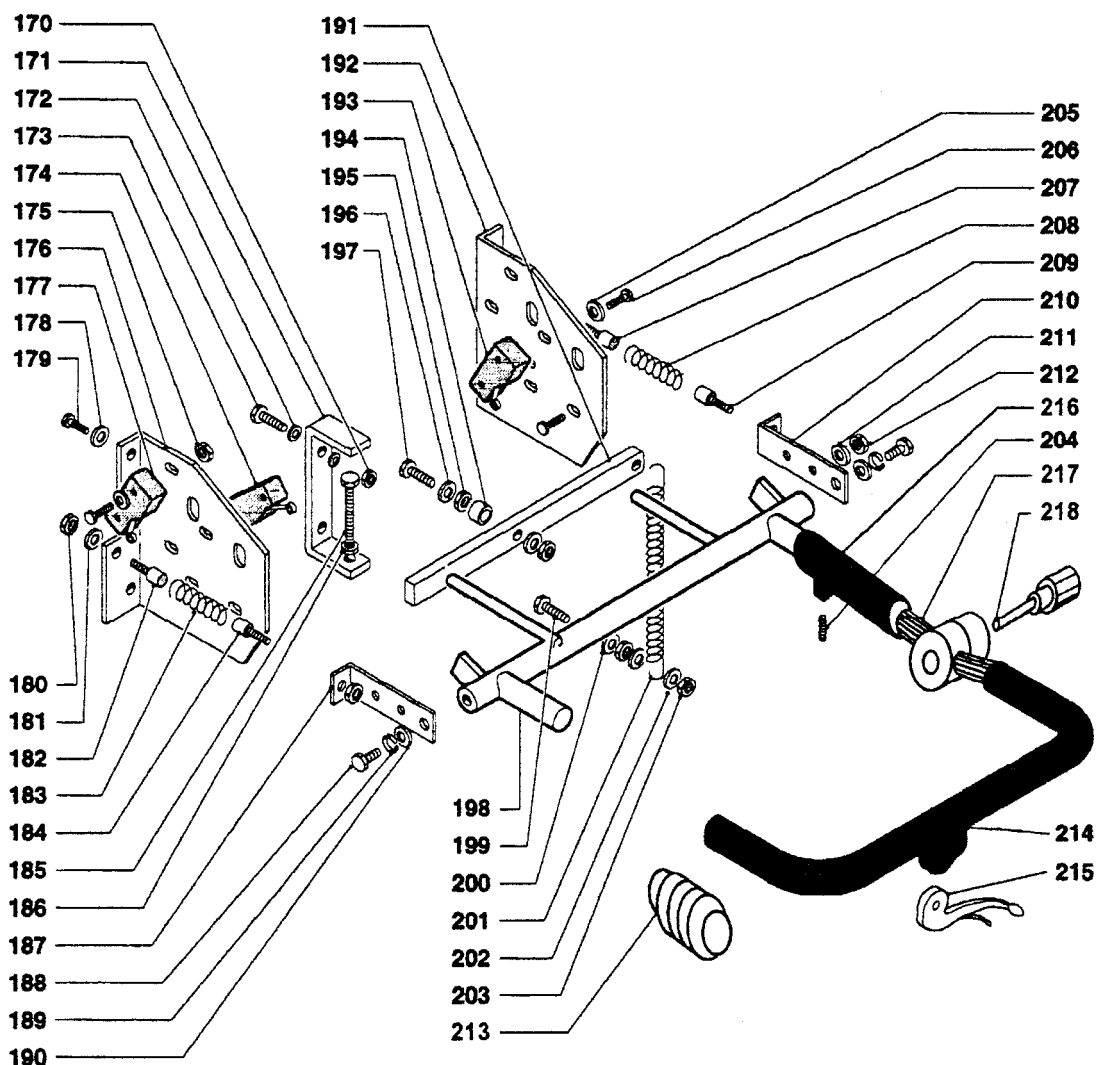
Not Illustrated* call for price and availability

Fax Orders to 817.551.0719

Orders before 1 PM Ship The Same Day!

Automatic Scrubbers

Parts for PAS28



ref#	order	description	each
170	430.025	Nut	*
171	850.444	Support	*
172	PAS146	Washer	.13
173	PAS223	Screw	.29
174	PAS56	Micro switch	16.21
175	430.296	Nut	*
176	850.468	Handle support	*
177	PAS56	Micro switch	16.21
178	PAS146	Washer	.13
179	430.072	Screw	*
180	PAS149	Nut	.26
181	PAS146	Washer	.13
182	700.182	Screw	*
183	850.445	Spring	*
184	700.182	Screw	*
185	650.372	Screw	*
186	PAS176	Nut	.25
187	850.446	Souare	*
188	PAS936	Screw	.36
189	PAS907	Lock washer	.14
190	PAS188	Washer	.18
191	PAS136	Yoke	12.46
192	850.496	Handle support	*
193	PAS56	Micro interrupteur	16.21
194	PAS138	Spacer	5.96

ref#	order	description	each
195	PAS935	Nut	.78
196	PAS137	Washer	.19
197	PAS936	Screw	.36
198	650.422.1	Leyer	*
199	PAS197	Screw	.60
200	PAS146	Washer	.13
201	PAS139	Spring	6.50
202	PAS146	Washer	.13
203	PAS149	Nut	.26
204	430.16	Dowel	*
205	430.297	Washer	*
206	430.299	Screw	*
207	700.182	Screw	*
208	850.445	Spring	*
209	700.182	Screw	*
210	850.446	Souare	*
211	700.211	Washer	*
212	PAS149	Nut	.26
213	650.423.1	Rubber tube	*
214	430.323.1	Handle	*
215	PAS166	Brake lever	42.26
216	PAS338	Handle	10.58
217	PAS339	Coupling	19.44
218	PAS337	Knob	4.45

* call for price and availability

Call Toll Free 800.880.2913

Visit Our Website at www.powrflite.com