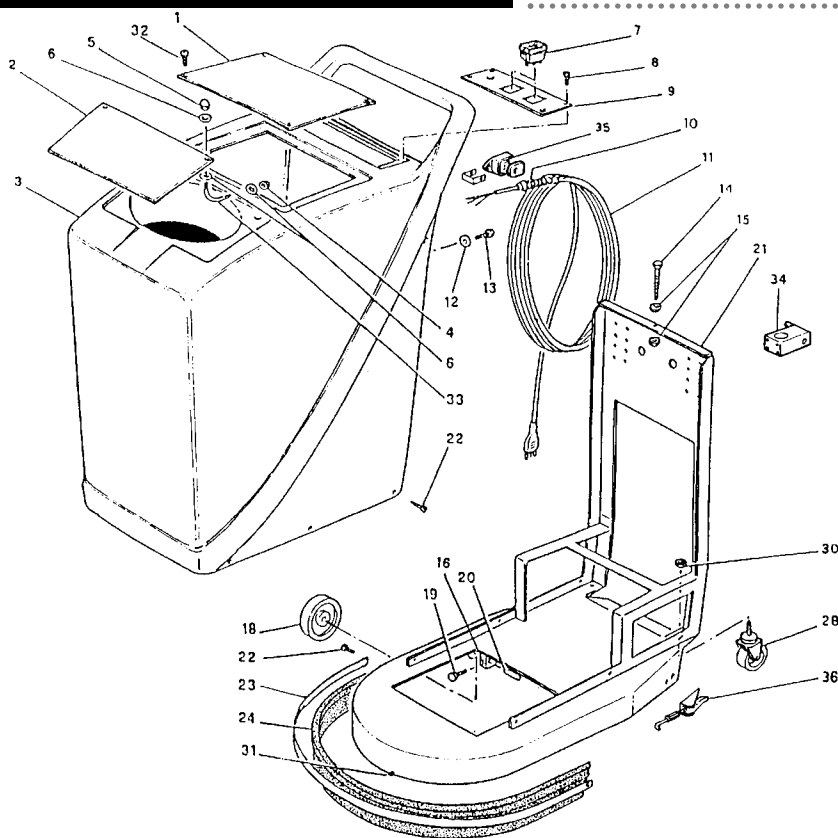


Automatic Scrubbers

Parts for PAS16



ref#	order	description	each
1	410.001	Cover	*
2	PAS260	Cover	49.55
3	410.003	Housing	*
4	PAS311	Cover Nut	.09
5	PAS304	Nut	.32
6	PAS312	Cover Washer	.09
7	PAS125	Switch	5.91
8	PAS153	Screw, Stainless	1.05
9	PAS306	Control Panel	19.52
10	PAS245	Strain Relief	3.81
11	M1400	14/3 - 75' Cord	25.25
12	500.158	Washer	*
13	410.013	Screw, Stainless	*
14	PAS197	Screw 6mm	.60
15	PAS311	Cover Nut 6mm	.09
16	410.016	Support	*
18	PAS126	Wheel	15.41

ref#	order	description	each
19	400.050	Screw 6mm	*
20	PAS154	Pin	3.60
21	410.021	Panel	*
22	410.022	Screw	*
23	PAS121	Strap	2.18
24	PAS128	Bumper	42.60
25	PAS18	Spring Handle	4.77
26	PAS32	Tie Rod	1.81
28	PAS127	Caster	38.94
30	PAS311	Nut 6mm	.09
31	PAS250	Housing Brush	134.87
32	410.032	Screw, Stainless	*
33	PAS303	Hinge	10.37
34	400.146	Block	*
35	PAS267	Cable Swivel	4.90
36	PAS122	Hook & Latch Assy.	16.20

* call for price and availability

Powr-Flite Heavy Duty 24 Volt/20 Amp BATTERY CHARGER

- Totally automatic — fully charges and shuts off when battery is charged.
- AC power status memory. In case of power loss, it will resume charge cycle where it was before power loss.
- No damage can occur due to over charging.

Industry Standard Connector
Order EC24 \$297.67 ea.

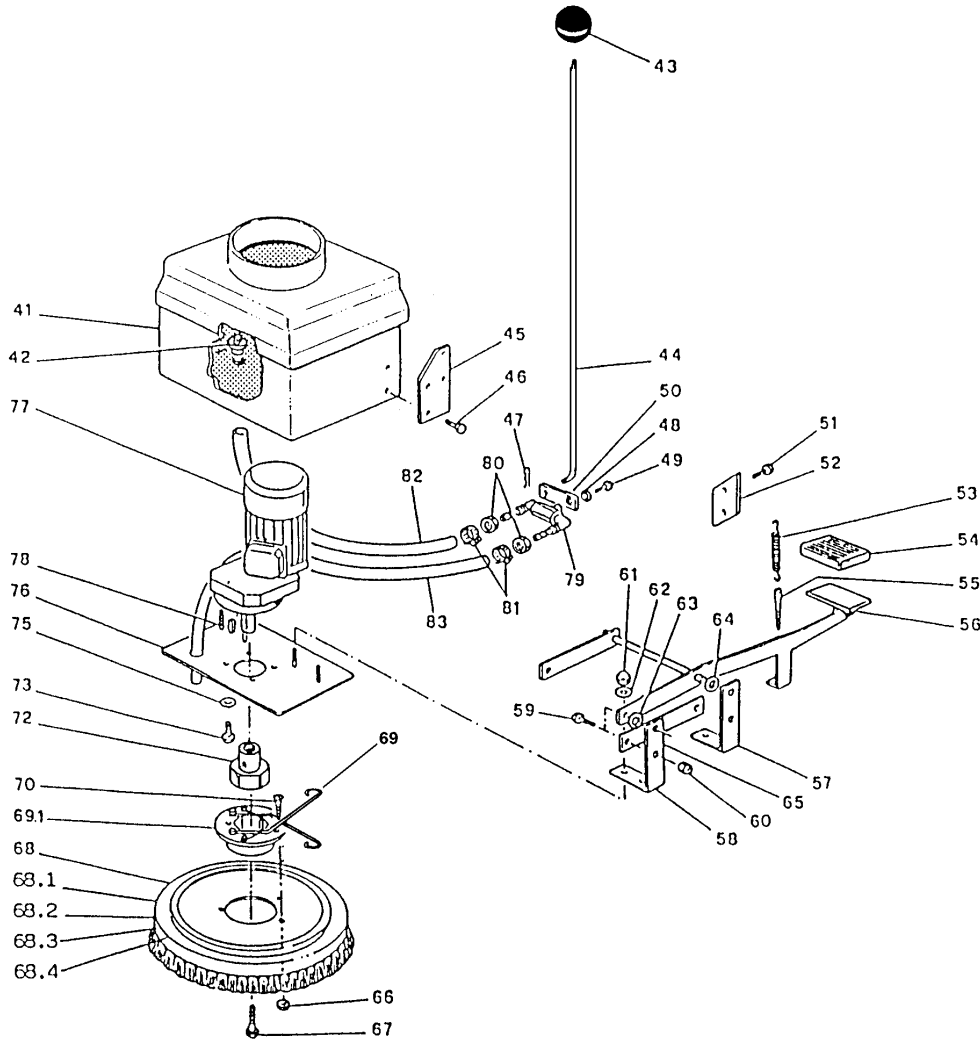
Powr-Flite Predator™ brushes and drive blocks			
Predator™ model	PAS16	PAS20	PAS28
block diameter	15"	18"	13"
Poly Scrub	PAS97 \$62.03	*PAS8 \$74.90	*PAS67 \$100.83 2 BRUSH SET
Powr Nylon Strata-grit	PAS99 PAS131 \$170.51	*PAS9 PAS132 \$219.42	*PAS68 PAS130 \$266.62 2 BRUSH SET
Powr-Scuff Powr-Scrub II	PAS134 PAS98 \$139.65	PAS135 PAS95 \$182.47	PAS133 PAS94 \$236.58 2 BRUSH SET
drive block w/center grip	PAS96 \$61.65	*PAS10 \$71.11	*PAS69 \$113.11 2 BRUSH SET

Call Toll Free 800.880.2913

Visit Our Website at www.powrflite.com

Automatic Scrubbers

Parts for PAS16



ref#	order	description	each
41	PAS314	Solution Tank	123.65
42	PAS3	Screen	5.00
43	PAS11	Knob	2.24
44	410.044	Rod	*
45	410.045	Plate	*
46	PAS147	Screw 6mm	.41
47	PAS268	Split Pin	.30
48	500.062	Washer	*
49	PAS271	Screw 5/32"	.85
50	PAS269	Lever	5.24
51	431.065	Screw 6mm	*
52	PAS258	Bracket	8.11
53	410.053	Spring	*
54	PAS14	Foot Pedal Cover	7.26
55	PAS63	Pin/Tie Rod	2.51
56	410.056	Lever	*
57	410.057	Bracket	*
58	410.058	Bracket	*
59	PAS167	Screw 8mm	2.08
60	430.117	Nut 8mm	*
61	430.117	Nut 8mm	*
62	PAS188	Washer	.18
63	410.063	Washer	*
64	410.064	Washer	*

ref#	order	description	each
65	410.065	Support	*
66	PAS311	Nut 6mm	.09
67	PAS167	Screw 8mm	2.08
68	PAS97	Poly Scrub Brush	62.03
68.1	PAS99	Powr-Nylon Brush	170.51
68.2	PAS131	Strata Grit Brush	170.51
68.3	PAS134	Powr-Scuff Brush	139.65
68.4	PAS98	Powr-Scrub II Brush	139.65
69.1	PAS6A	Support with Spring	20.52
70	PAS65	Screw	.38
71	430.072	Screw	*
72	PAS5	Coupling Half	7.09
73	430.072	Screw	*
74	430.071	Washer	*
75	PAS65	Washer	.38
76	410.076	Plate	*
77	PAS305-2	Geared Motor 220v	409.26
	PAS305	Geared Motor 110v	442.56
78	PAS167	Screw 8mm	2.08
79	PAS12	Valve	35.54
80	PAS262	Nut 3/8"	.24
81	PX42	Hose Clamp	1.03
82	PAS288	Hose	3.42
83	PAS288	Hose	3.42

* call for price and availability

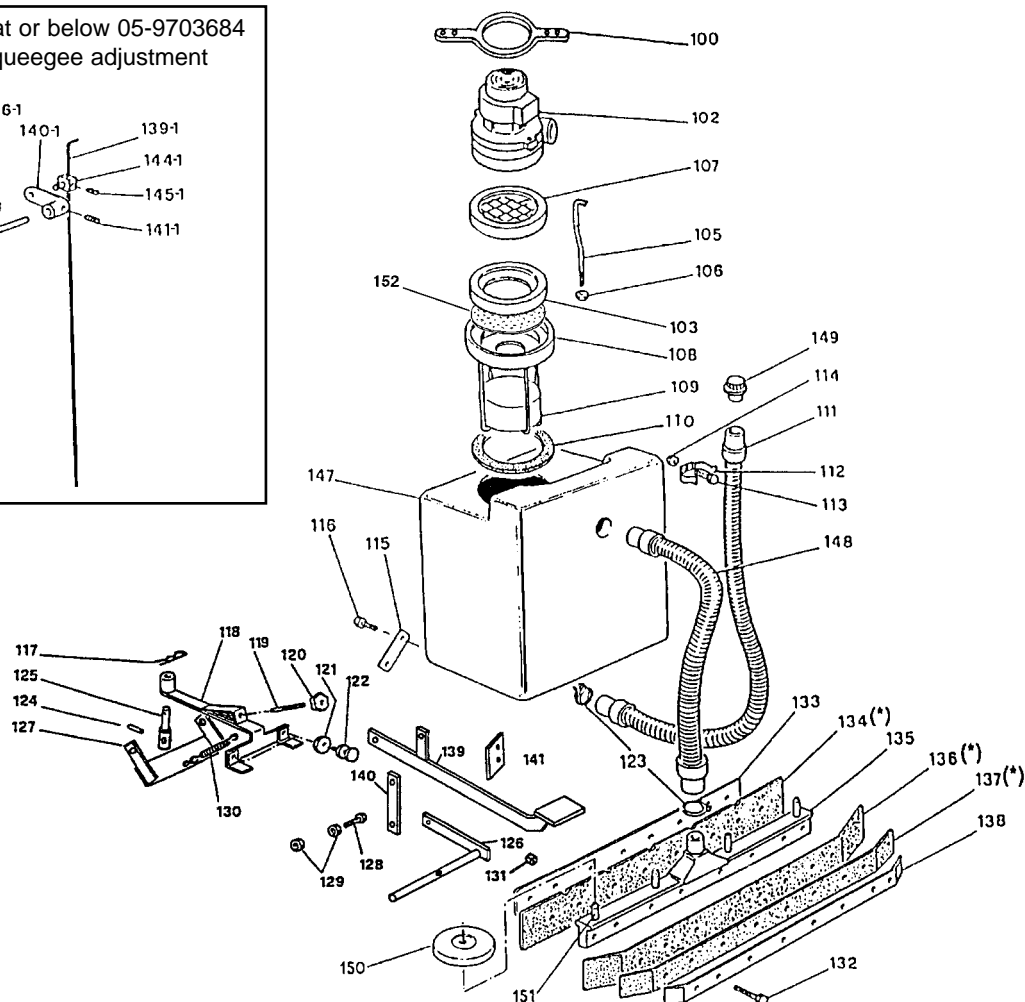
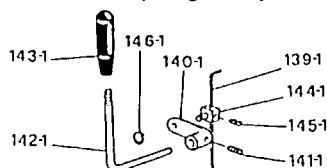
Fax Orders to 817.551.0719

Orders before 1 PM Ship The Same Day!

Automatic Scrubbers

Parts for PAS16

Serial numbers at or below 05-9703684 have lever squeegee adjustment



ref#	order	description	each
100	PAS15	Strap	4.02
102	1972	Vac Motor	62.14
103	PAS102	Gasket Motor	7.12
105	PAS198	Tie Rod	4.98
106	PAS311	Nut M6	.09
107	F909	Filter/Screen	1.37
108	PAS85	Float Cage	11.20
109	PAS210	Float	21.46
110	PAS103	Seal	7.12
111	PAS37	Drain Hose	7.81
112	PAS38	Hose Clamp	2.80
113	430.194	Washer	*
114	430.192	Nut M4	*
115	410.115	Plate	*
116	PAS147	Srew	.41
117	PAS266	Split Pin	.61
118	PAS315	Bracket	15.60
119	PAS32	Tie Rod	1.81
120	PAS35	Knob M6	6.02
121	PAS33	Ring-nut	4.39
122	PAS34	Adjusting Screw	6.48
123	PAS191	Clamp, Hose	2.67
124	500.157	Pin	*
125	PAS19	Pin Squeegee Mt.	9.47
126	400.129	Shaft	*
127	PAS264	Support	20.16
128	PAS936	Screw	.36
129	PAS935	Nut 10mm	.78
130	PAS31	Spring	6.67
131	PAS304	Nut 6mm	.32
132	PAS197	Washer 6mm	.60

ref#	order	description	each
133	430.198	Outer Bar	*
134	PAS302	Black Rubber	5.90
135	PAS300R	Squeegee Body	9.72
136	PAS300	Main Squeegee Blade	9.33
137	PAS240	Squeegee Complete	68.96
(*)	PAS124	Squeegee Blade Set	34.24
138	430.204	Outer Bar	*
139	410.139	Pedal	*
139.1	PAS129	Cable	3.70
140	410.140.1	Connecting Rod	*
140.1	PAS308	Connecting Rod	8.96
141	PAS259	Cross Member	8.11
141-1	430.160	Dowel M8	*
142.1	410.142	Lever	*
143.1	400.127	Knob	*
144.1	PAS313	Pivot Block	3.98
145.1	430.156	Dowel	*
146.1	430.159	Seeger, Clamp	*
147	PAS26	Tank	132.35
148	PAS37	Intake Hose	7.81
149	PAS36	Plug	3.50
150	PAS51	Wheel, Bumper	30.81
151	PAS193	Support Stud	6.00

NOT ILLUSTRATED

M1400	14/3 75' Cord	25.25
PAS125	Switch	5.91
PAS305	Brush Motor	442.56
PAS309	Connecting Board	3.43
1972	Suction Motor	62.14

* call for price and availability

Call Toll Free 800.880.2913

Visit Our Website at www.powrflite.com