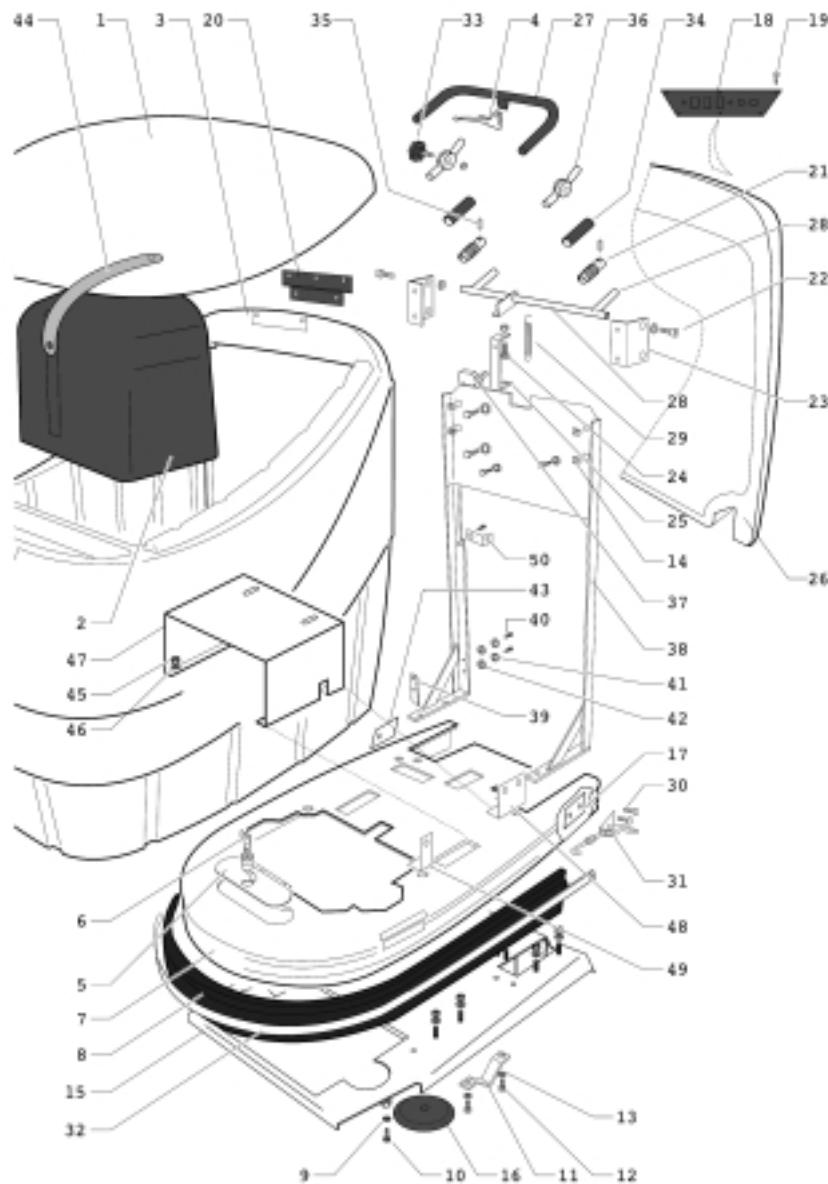


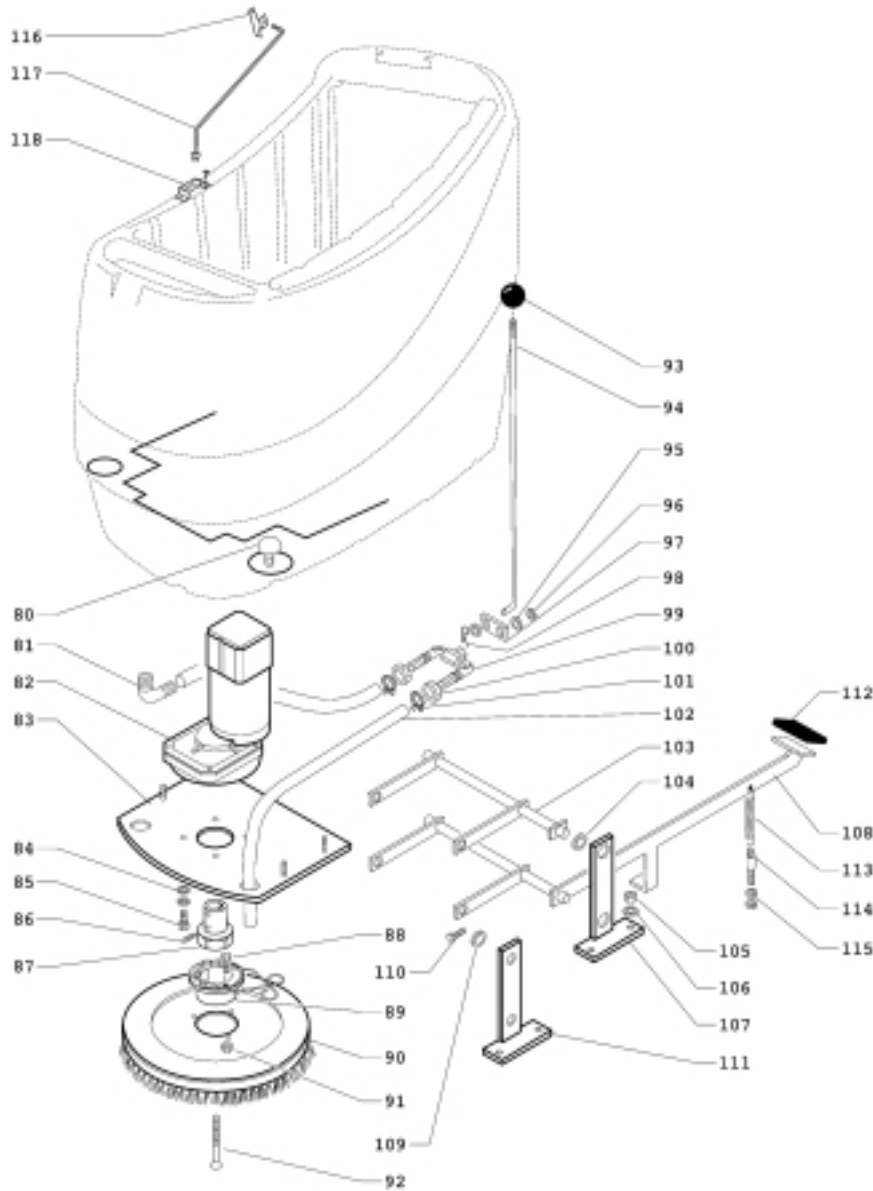
Automatic Scrubbers

Parts for PAS20DX



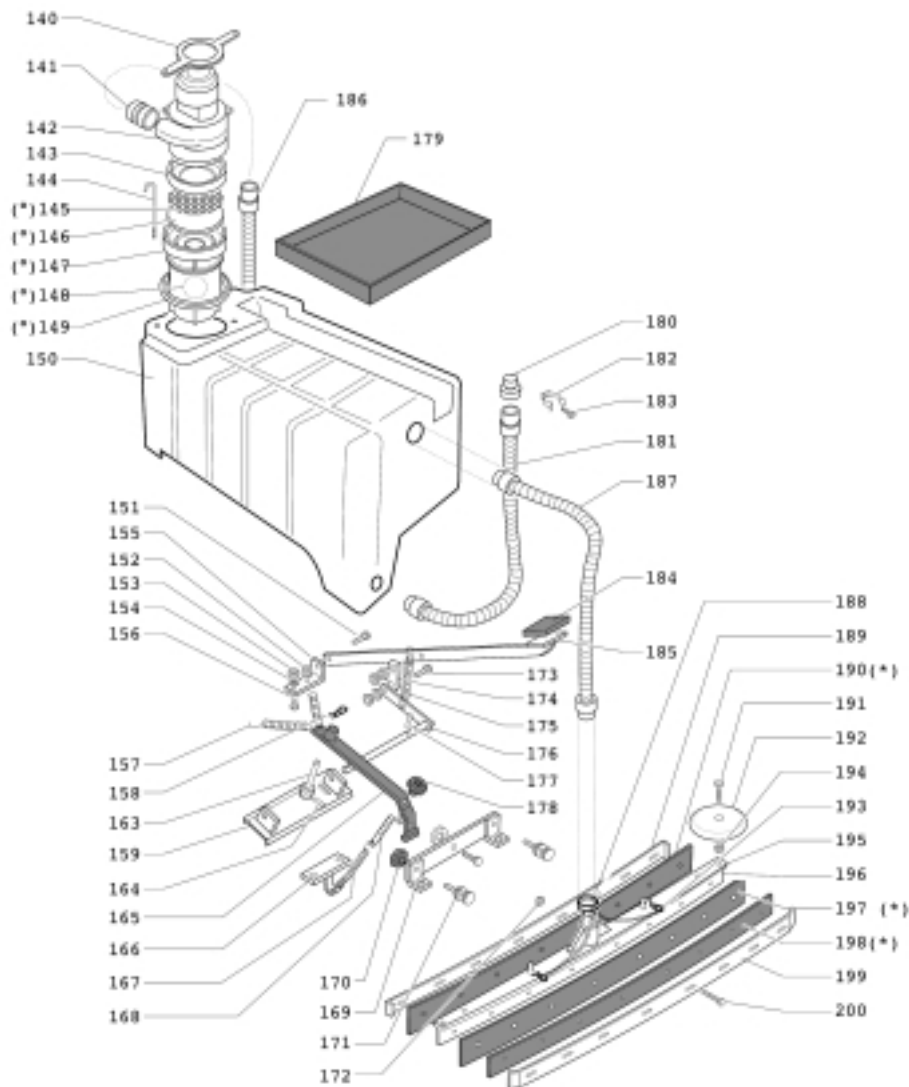
ref#	order	description	each
1	PAS462	cover	159.38
2	510.002	suction motor	*
3	510.003	chest	*
4	501.004	brake lever	*
5	501.005	cover	*
6	PAS179	key	10.71
7	510.007	chest	*
8	PAS921	splash guard	37.80
9	PAS157	washer	.26
10	430.016	screw	*
11	510.011	yoke	*
12	PAS167	screw	2.14
13	PAS188	washer	.19
14	PAS466	nut	.95
15	510.015	frame	*
16	PAS1	buffer wheel	8.51
17	510.017	plate	*
18	510.018	control panel	*
19	PAS153	screw	1.08
20	PAS109	hinge	25.72
21	PAS335	bellows	1.60

ref#	order	description	each
22	PAS167	screw	2.14
23	501.033	square	*
24	PAS114	screw	.34
25	PAS183	support	43.49
26	510.026	panel	*
27	PAS159A	handle	36.11
28	510.028	lever	*
29	PAS18	spring	4.91
30	501.047	screw	*
31	PAS122	hook	16.69
32	PAS919	stop strip	18.93
33	PAS337	knob	4.58
34	PAS338	handle	10.90
35	430.16	dowel	*
36	PAS339	articulation	20.02
37	PAS56	micro switch	16.70
38	510.038	panel	*
39	PAS259	plate	8.35
40	430.107	screw	*
41	PAS146	washer	.13
42	PAS208	lockwasher	.21



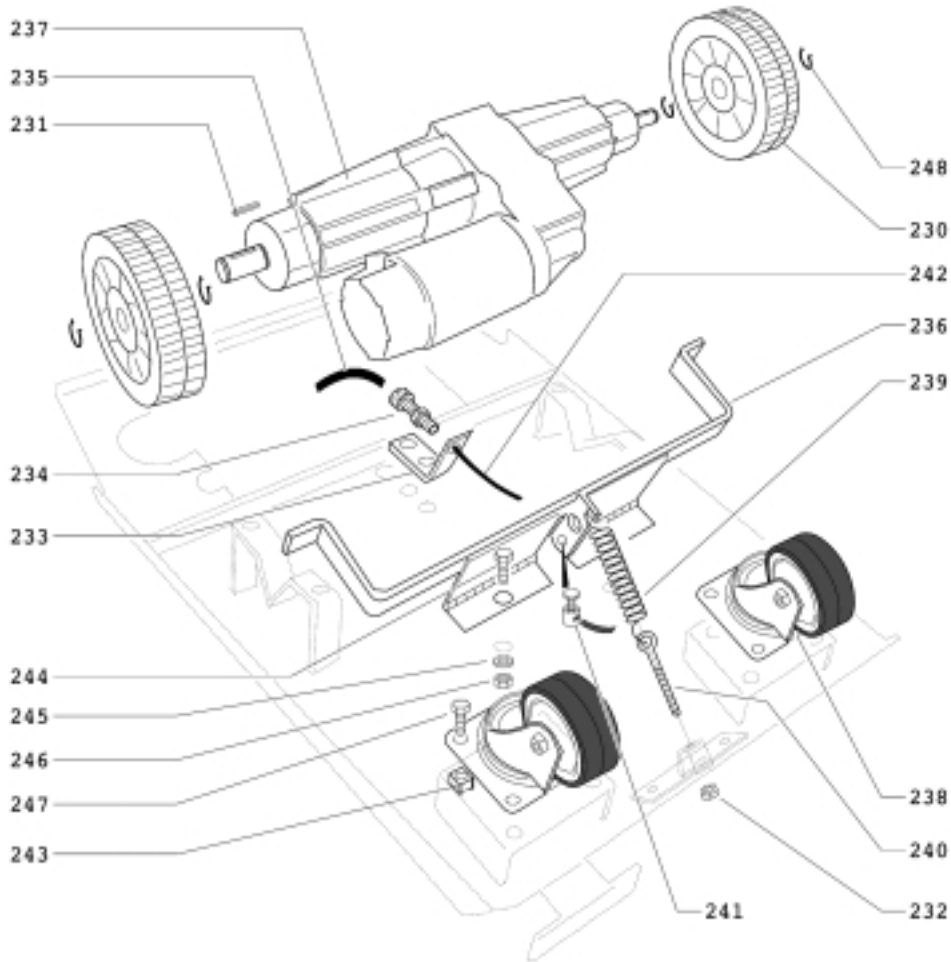
ref#	order	description	each
43	510.043	plate	*
44	510.044	cover rubber	*
45	PAS176	nut	.46
46	PAS188	washer	.19
47	510.047	support	*
48	510.048	plate	*
49	510.049	plate	*
50	510.05	plate	*
80	PAS3	filter	5.15
81	PAS296	hose fitting	4.64
82	PAS4	reducer motor	578.59
83	510.083	plate	*
84	PAS146	washer	.13
85	430.072	screw	*
86	PAS320	dowel	.54
87	PAS5	coupling joint	7.30
88	PAS123	screw	.31
89	PAS6A	support with support	21.14
90	PAS8	brush, poly	77.15

ref#	order	description	each
90	PAS132	Strata Grit brush	226.00
90	PAS95	Scrub Grit 11 brush	187.94
90	PAS618	Union mix brush	64.26
90	PAS109	pad driver	25.72
90	PAS135	Powr-Scuff brush	187.94
91	PAS149	nut	.27
92	PAS111	screw	1.47
93	PAS111	knob	1.47
94	510.094	rod	*
95	PAS270	nut	.14
96	501.103	nut	*
97	PAS269	lever	5.40
98	PAS268	split pin	.31
99	PAS12	water tap	36.61
100	PAS262	nut	1.90
102	PAS288	hose	3.52
103	PAS204	lever	37.90
104	500.155	nylon washer	*
105	PAS176	nut	.46



ref#	order	description	each
106	PAS188	washer	.19
107	430.119	support	*
108	PAS203	lever	62.32
109	500.155	nylon washer	*
110	501.118	screw	*
111	430.094	support	*
112	PAS14	pedal cover	7.48
113	PAS230	spring	3.30
114	PAS63	pin	2.59
115	PAS176	nut	.46
116	510.116	plate	*
117	510.117	rod	*
118	510.118	plate	*
140	PAS15	ring motor	4.14
141	PAS330	sleeve	3.84
142	1995B	vac motor	123.24
143	PAS102	seal joint	7.33
144	PAS198	tie rod	5.67
145	500.07	grille	*
146	PAS107	filter	2.09
147	PAS85	support	11.54
148	PAS17	float assembly	33.15
149	PAS103	seal	7.33
150	510.15	tank	*

ref#	order	description	each
151	501.176	screw	*
152	501.177	nut	*
153	PAS189	nut	.79
154	PAS188	washer	.19
155	501.18	square	*
156	PAS167	screw	2.14
157	510.157	spring	*
158	PAS266	split pin	.63
159	510.159	yoke	*
163	PAS19	pin	9.75
164	PAS197	screw	.62
165	510.165	lever	*
166	501.188.1	square	*
167	PAS18	spring	4.91
168	PAS32	tie rod	1.86
169	PAS404	support	11.00
170	PAS133	knob	243.68
171	500.222.1	regulator	*
172	PAS149	nut	.27
173	PAS197	screw	.62
174	PAS265	cross member	7.57
175	PAS230	spring	3.30
176	PAS459	lever	16.00
177	PAS280	elastic pin	.19



ref#	order	description	each
178	PAS35	knob	6.20
179	510.179	vat	*
180	PAS36	plug	3.61
181	PAS37	pipe	8.04
182	PAS38	pipe	2.88
183	430.194	screw	*
184	PAS14	pedal cover	7.48
185	510.185	pedal	*
186	PAS37	pipe	8.04
187	PAS37	pipe	8.04
188	PAS191	hose	2.75
189	500.217.1	front strip	*
190	PAS142	black rubber	5.10
191	PAS936	screw	.37
192	PAS1	buffer wheel	8.51
193	PAS266	split pin	.63
194	PAS937	nut	.22
195	PAS40B	complete squeegee tool	139.15
195	PAS456	squeegee body new style	82.05
196	500.215.1	floor washing	*
197	PAS116	rubber	8.34
198	PAS112	rubber	7.16
198	PAS457	front blade, new style	10.58
199	500.218.1	back strip	*
200	PAS197	screw	.62
230	PAS44A	wheel	35.66
231	PAS351	tang	2.73
232	PAS176	nut	.46
233	510.233	square	*
234	PAS170	regulator	.74
235	PAS171	sheathing	1.51
236	PAS463	brake plate	99.45
237	PAS276	motor	684.83

ref#	order	description	each
238	PAS51A	caster/alum housing maroon	31.60
239	PAS172	spring	2.37
240	PAS63	pin	2.59
241	PAS173	clamp	1.16
242	PAS168	cavo cable	2.31
243	850.033	nut clip	*
244	PAS167	screw	2.14
245	PAS188	washer	.19
246	PAS176	nut	.46
247	PAS167	screw	2.14
248	510.248	seeger ring	*

NOT ILLUSTRATED

PAS52	battery gauge cover	53.98
PAS52N	battery gauge rectangle	53.98
PAS53NS	key switch	19.24
PAS54	brush switch	4.31
PAS54	suction switch	4.31
PAS55	potentiometer	23.36
PAS56	micro switch	16.70
PAS57	brush remote control	39.13
PAS57	suction remote control	39.13
PAS117	fuse	3.19
PAS119	fuse	2.62
PAS276	motor	684.83
PAS4	reducer motor	578.59
PAS59	connection	9.22
PAS140	cable	24.90
PAS141	jump cable	6.93
PAS294	electronic card	204.97
PAS88	knob	5.21
PAS295	reverse running push button	8.55
(*) PAS39	kit rubber	18.44