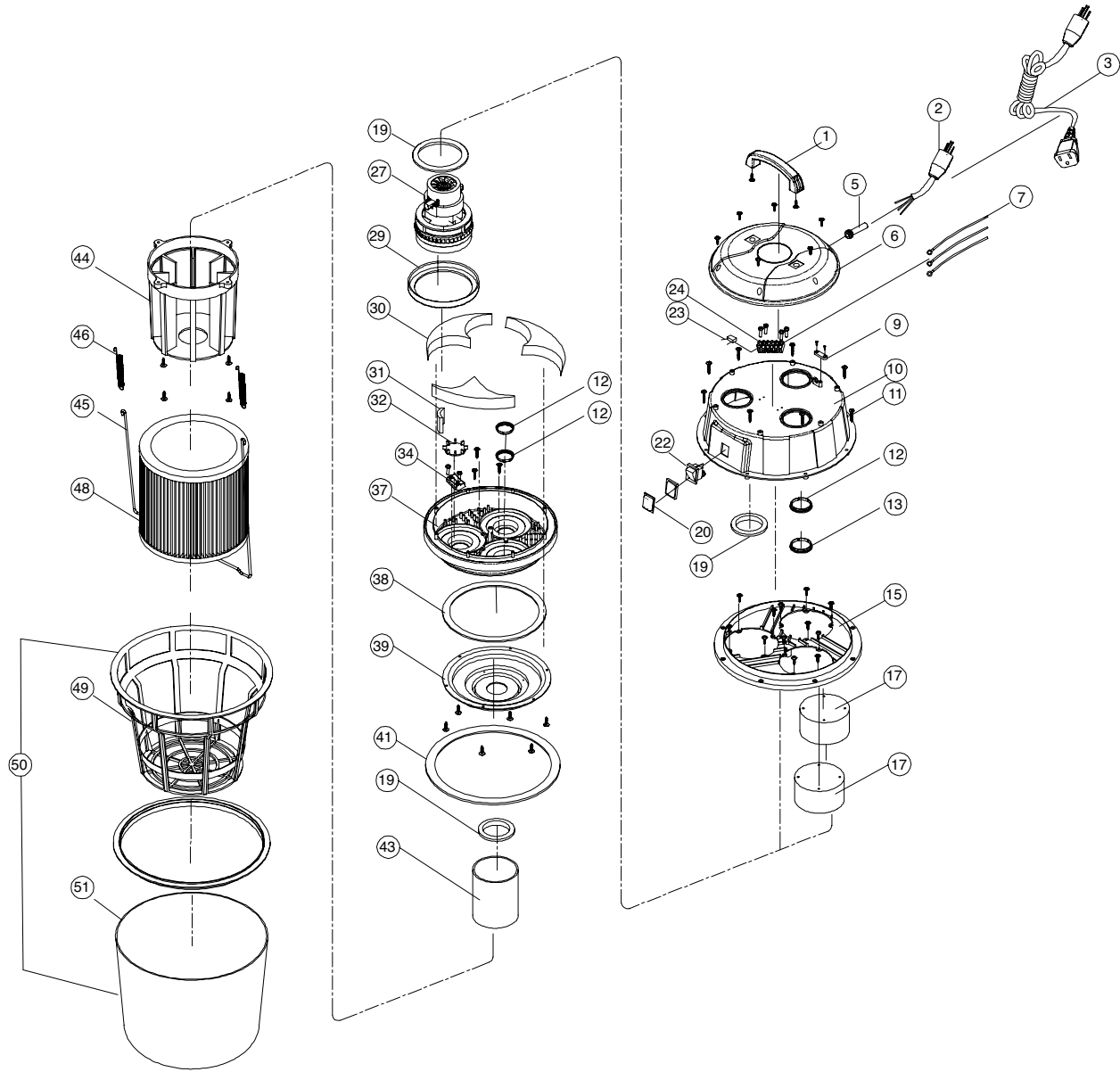


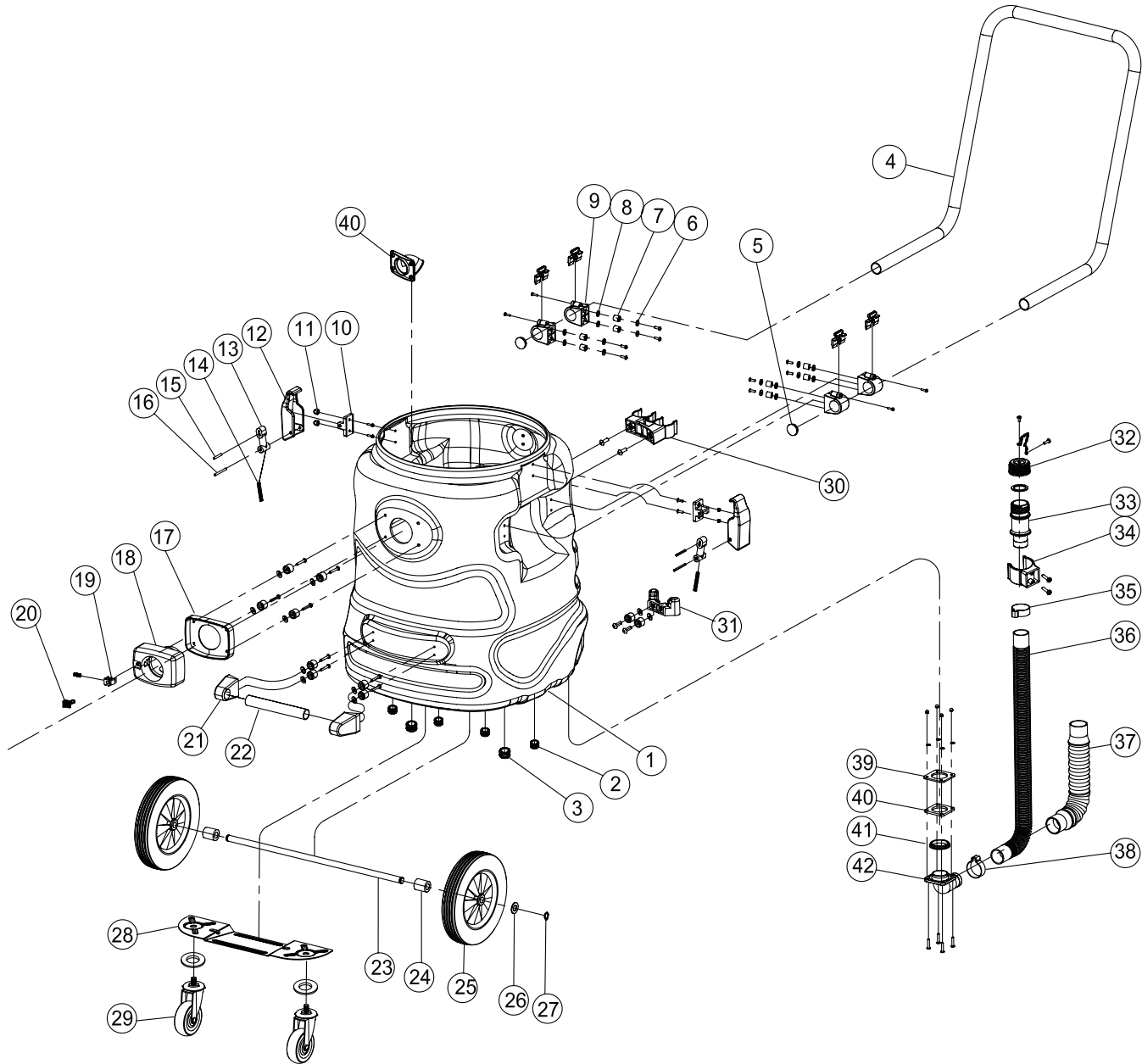
Model PF56 Parts



ref #	item #	description
1	WD20	HANDLE
2	WD66C	POWER CORD
3	WD66	EXTENSION CORD
5	WD34	CORD PROTECTOR
6	WD65	TOP COVER
7	WD15W	MOTOR CONNECTION WIRE
9	WD17	WIRE PLATE
10	WD16	MIDDLE SEAT
12	WD82	LOWER BASE BLOCK
13	WD83	TOP BLOCK
15	WD14B	MOTOR SEAT
17	WD84	BLOCKER
19	WD53	GASKET
22	WD67	POWER SWITCH
23	WD206	CAPACITOR
24	WD207	TERMINAL BLOCK
27	WD15	MOTOR

ref #	item #	description
29	WD68	MOTOR GASKET
30	WD70	SPONGE
31	WD69	SQUARE SPONGE
32	WD85	REAR WHEEL PLATE
34	WD166	PLATE B
37	WD87	HOUSING BASE
38	WD201	GASKET
39	WD10	BASE COVER
41	WD165	GASKET
43	WD9	FLOAT
44	WD8	FRAME
46	WD37	SPRING
47	WD35	HOOK
48	WD36	PAPER FILTER
49	WD7	FILTER FRAME
50	WD3	FILTER ASSY
51	WD148	FABRIC

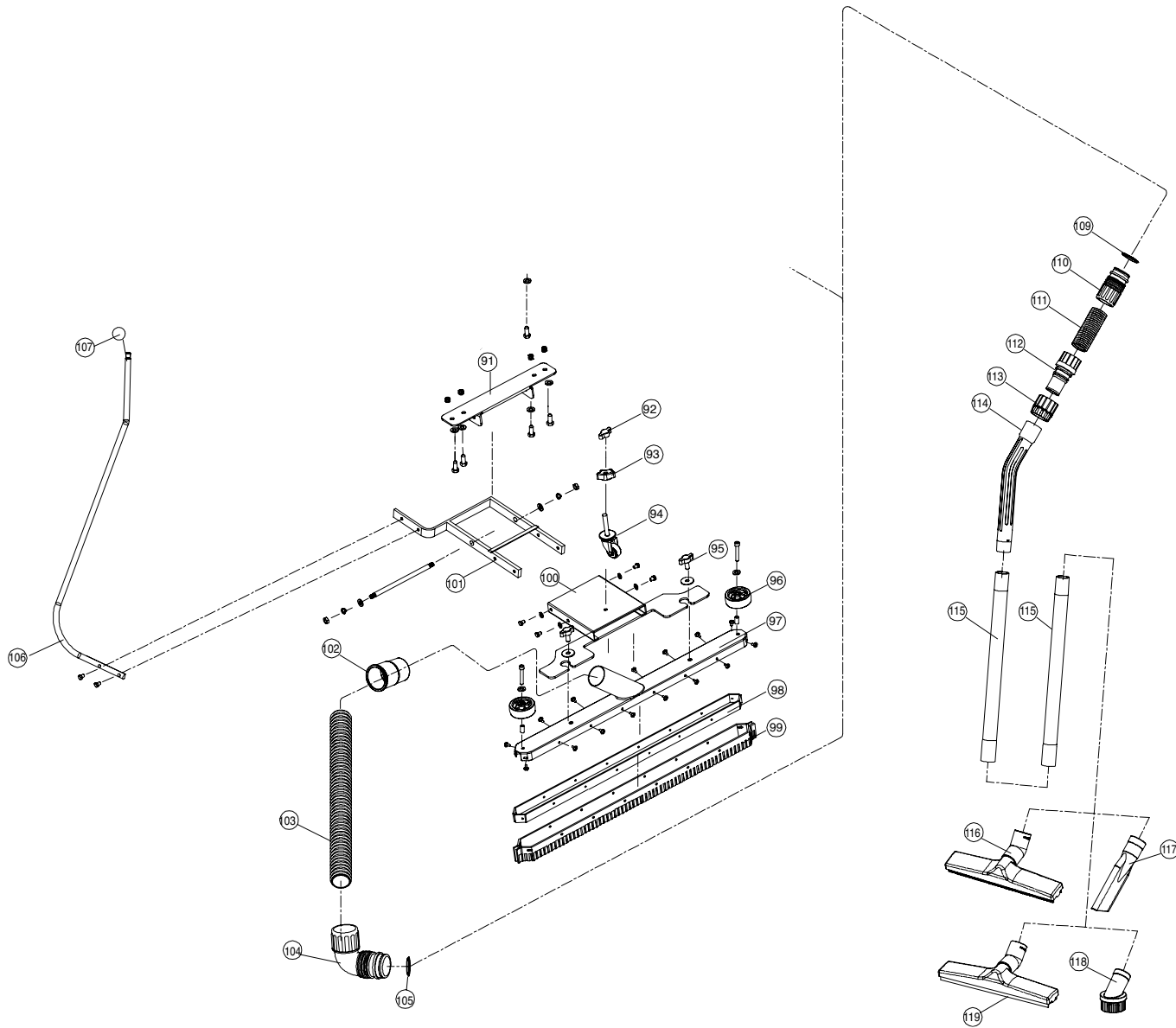
Model PF56 Parts



ref #	item #	description
1	WD219	TANK
2	WD220	NUT
3	WD221	NUT
4	WD132	HANDLE
5	WD133	COVER
6	WD222	WASHER
7	WD223	HOLDER
8	WD224	WASHER
9	WD121	HOLDER
10	WD128	CLIP BASE
11	WD44	NUT
12	WD63	CLIP
13	WD127	CLIP HOLDER
14	WD52	SPRING
15	WD129	PIN (SHORT)
16	WD131	PIN (LONG)
17	WD50	WASHER
18	WD45	SUCTION COUPLER
19	WD86	BUTTON FIXER
20	WD46	BUTTON
21	WD225	HOLDER

ref #	item #	description
22	WD226	HANDLE
23	WD227	AXEL
24	WD228	BUSHING
25	WD123M	REAR WHEEL
26	WD229	WASHER
27	WD230	C-RING
28	WD167	FRAME
29	WD231M	FRONT WHEEL
30	WD232	CLAMP
31	WD233	HOLDER
32	WD236	CAP
33	WD237	CONNECTOR B
34	WD146	HOOK
35	WD238	CLAMP
36	WD239	HOSE
37	WD240	PROTECTOR
38	WD241	CLAMP-2
39	WD242	SEAL HOLDER
40	WD188	INNER SEAL
41	WD243	OUTER SEAL
42	WD244	CONNECTOR A

Model PF56 Parts



ref #	item #	description
91	WD168	U-SHAFT
92	WD169	BUTTON
93	WD170	FIXED NUT
94	WD171	ADJUSTED WHEEL
95	WD172	BUTTON
96	WD173	WHEEL
97	WD174	SQUEEGEE BODY
98	WD175	BLADE BRACKET
99	WD176	BLADE
100	WD177	FIXED PLATE 2
101	WD179	PEDAL BRACKET
102	WD180	CONNECTOR
103	WD181	HOSE
104	WD182	BEND CONNECTOR
105	WD183	SEAL

ref #	item #	description
106	WD184	ADJUSTER LEVER
107	WD186	ADJUSTER LEVER KNOB
109	WD191	GASKET
110	WD24	CONNECTOR
111	WD25	HOSE
112	WD26	CONNECTOR
113	WD27	FIXER
114	WD28	BEND CONNECTOR
115	WD29	EXTENSION WAND
116	WD112	BRUSH NOZZLE ASS'Y
117	WD32	CREVICE TOOL
118	WD33	ROUND BRUSH
119	WD30A	SQUEEGEE NOZZLE ASS'Y
	WD157	DRAIN HOSE ASS'Y
	FM100H	FRONT MOUNTED SQUEEGEE ASS'Y